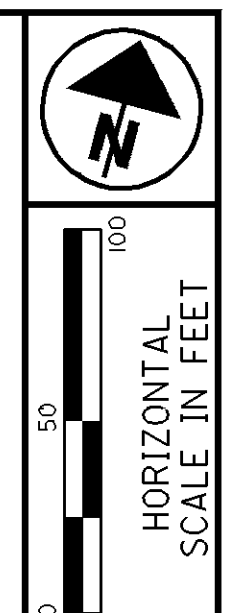
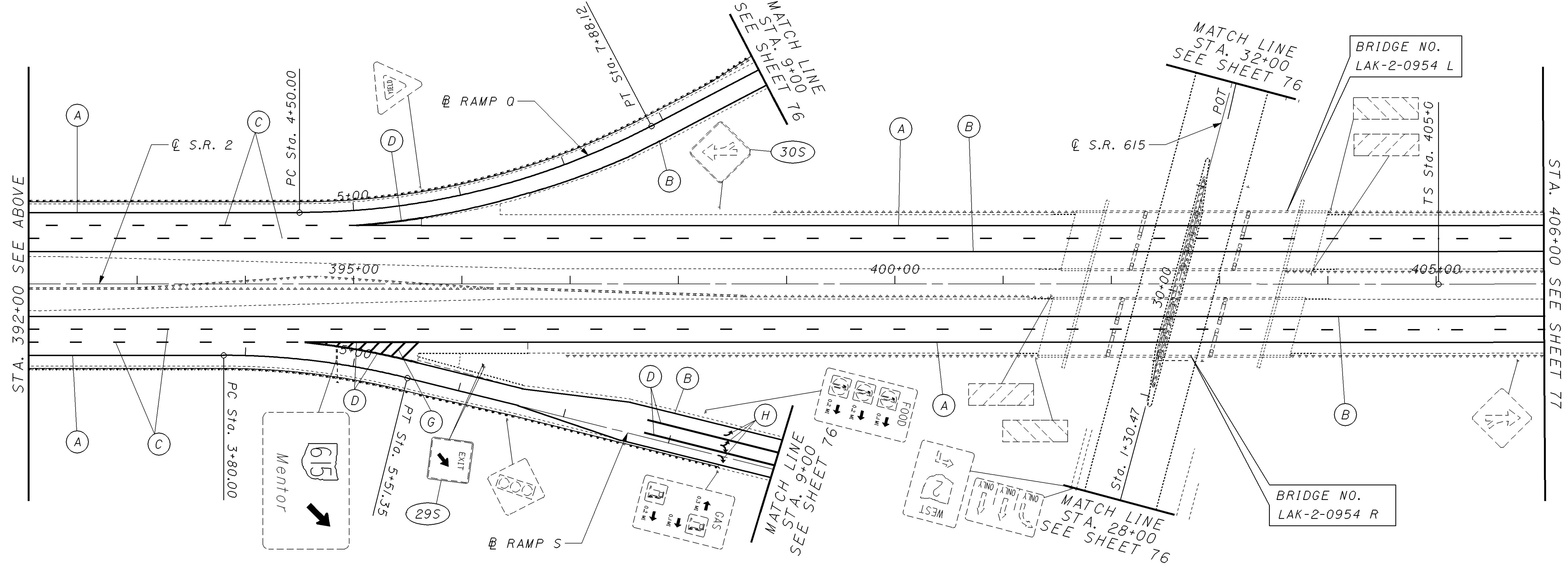
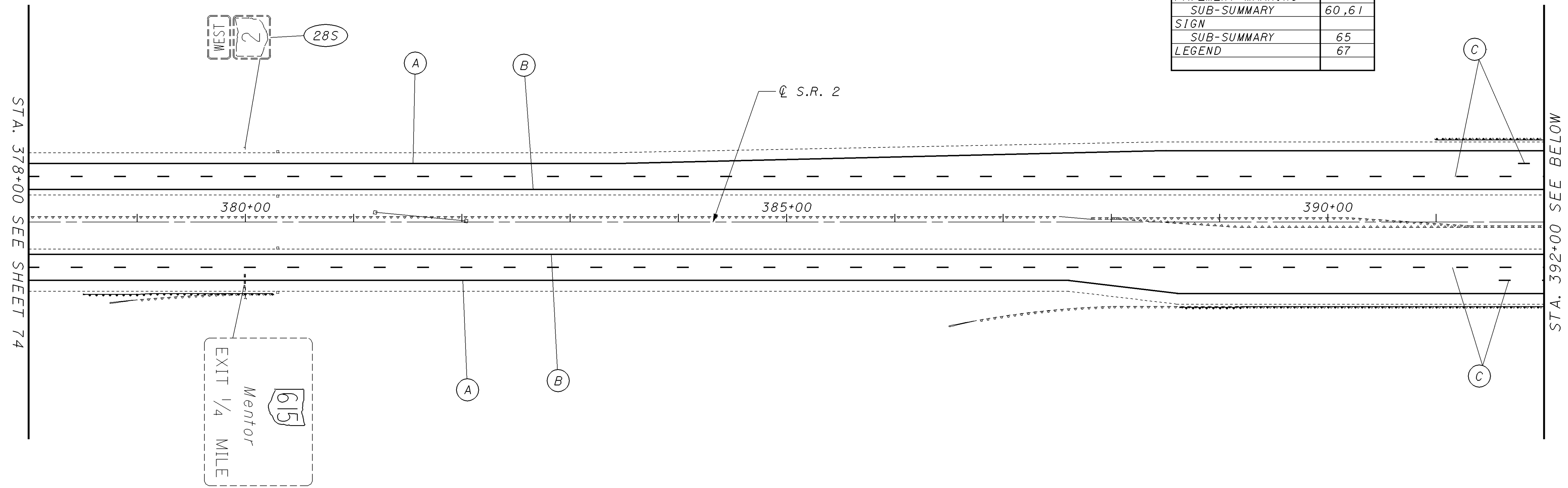


I:\PROJECTS\PI\19530\DGN\19530Tpg.dgn 22-AUG-2001 10:52AM fkonopka

CROSS REFERENCE	
ITEM	SHEET
PLAN SHEET	38
PAVEMENT MARKING	
SUB-SUMMARY	60,61
SIGN	
SUB-SUMMARY	65
LEGEND	67



CALCULATED
GJN
CHECKED
LDH

TRAFFIC CONTROL PLAN SHEET - S.R. 2
STA. 378+00 TO STA. 406+00

LAK-2-6.12

75
85