

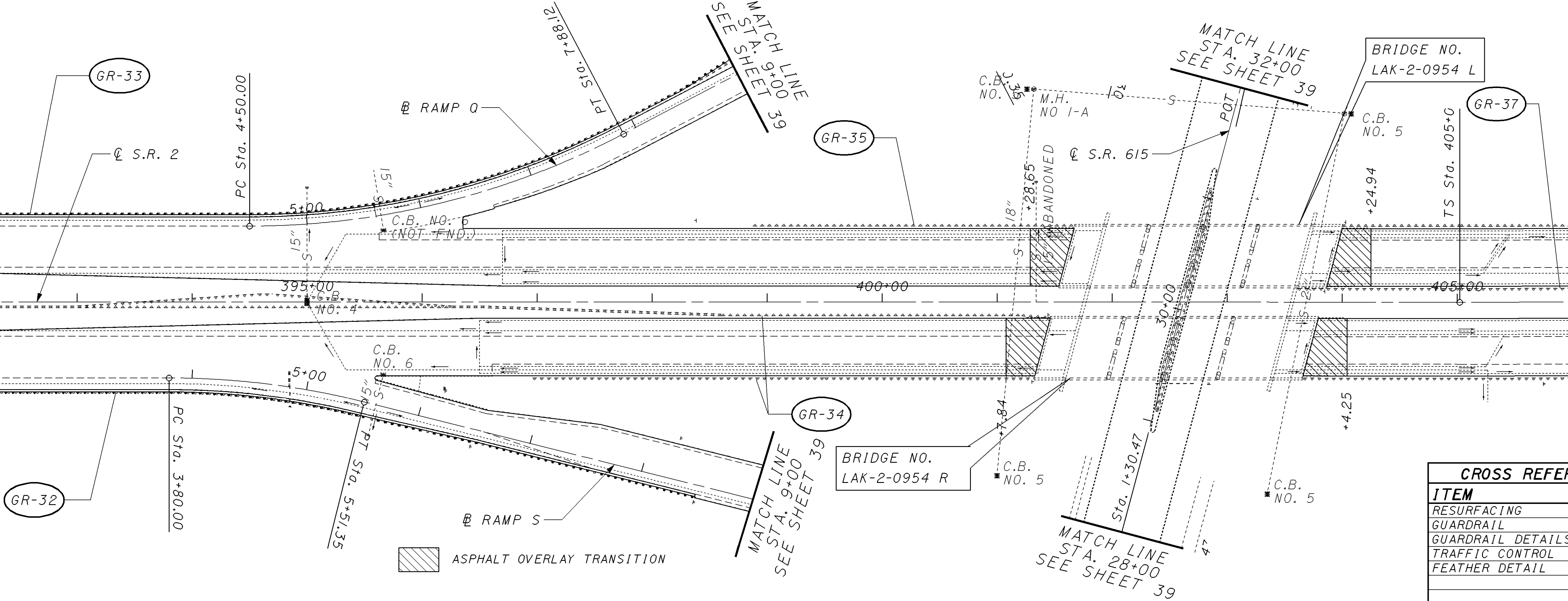
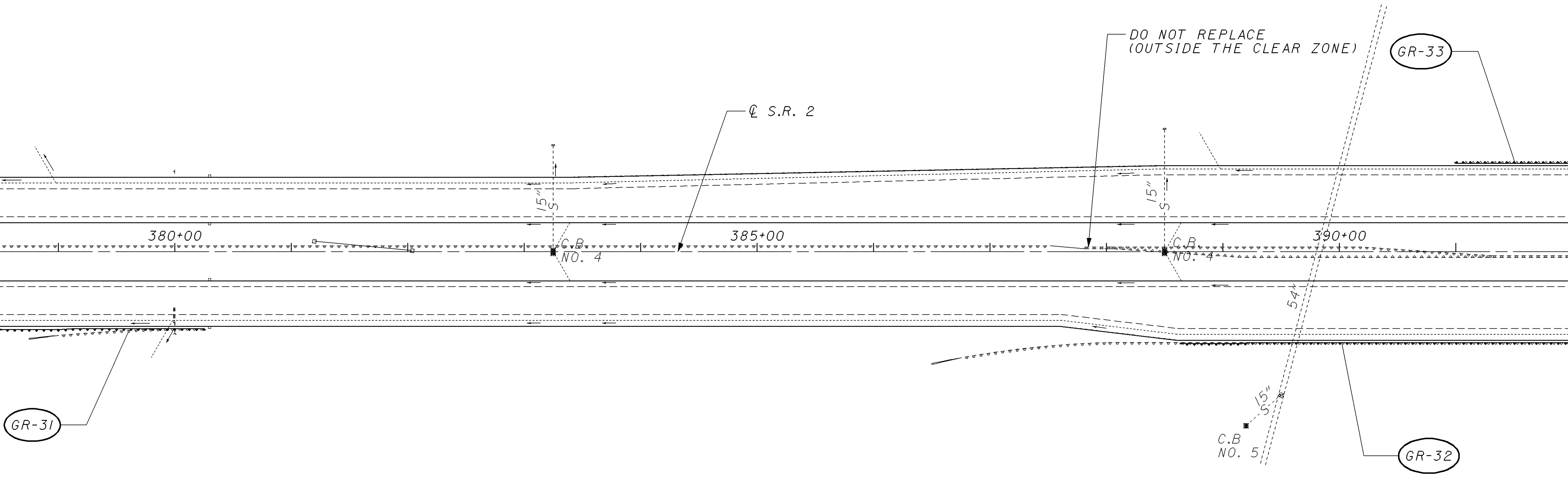
I:\PROJECTS\19530\19530.dgn 22-AUG-2001 10:41AM fkonopka

STA. 378+00 SEE SHEET 37

STA. 392+00 SEE ABOVE

STA. 392+00 SEE BELOW

STA. 406+00 SEE SHEET 40



ASPHALT OVERLAY TRANSITION

CROSS REFERENCE	
ITEM	SHEET
RESURFACING	26, 27
GUARDRAIL	28, 29
GUARDRAIL DETAILS	54-58
TRAFFIC CONTROL	75
FEATHER DETAIL	53

0 50 100
HORIZONTAL
SCALE IN FEET

CALCULATED

G.J.N

CHECKED

LDH

PLAN SHEET - S.R. 2

STA. 378+00 TO STA. 406+00

LAK-2-6.12

38

85