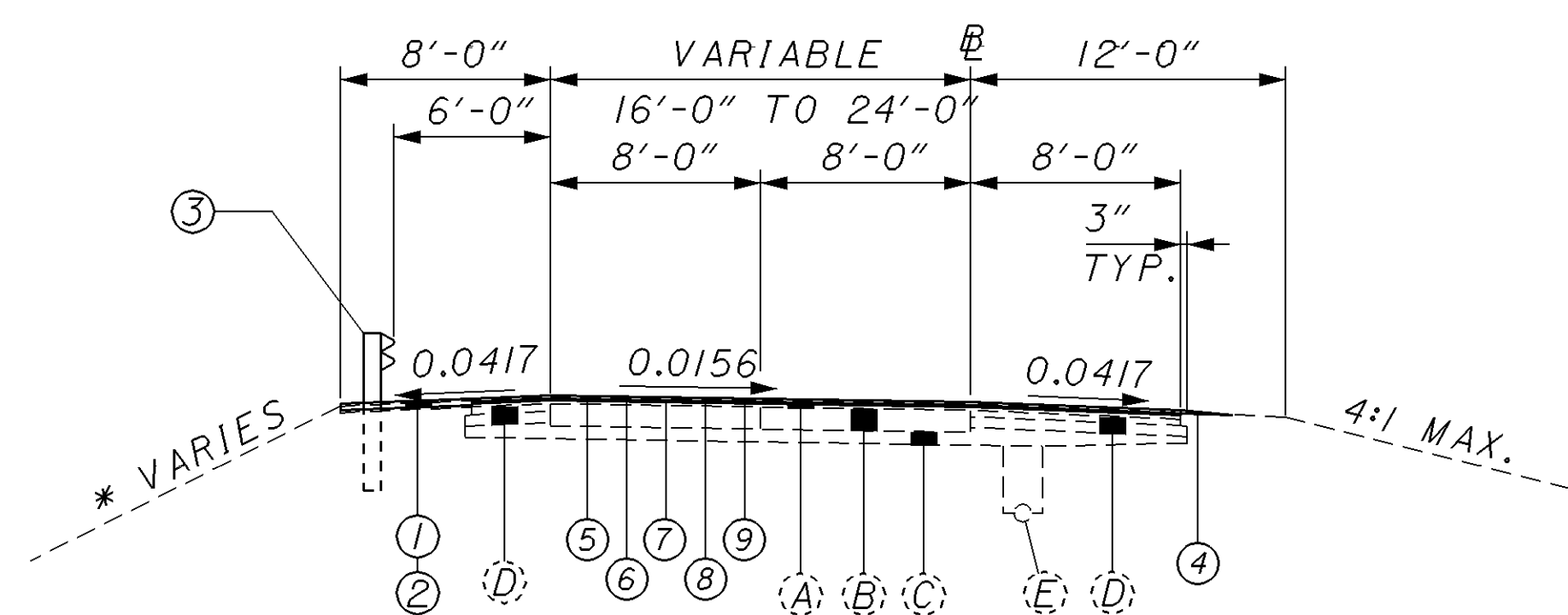
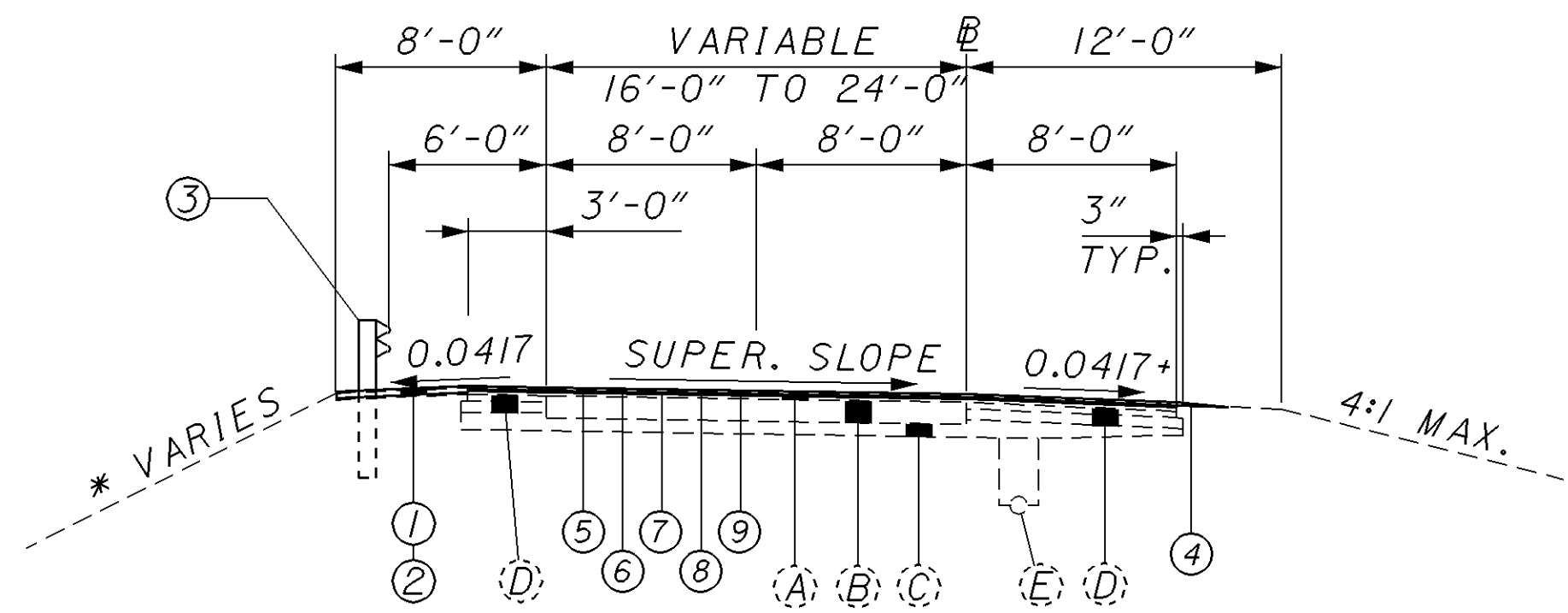


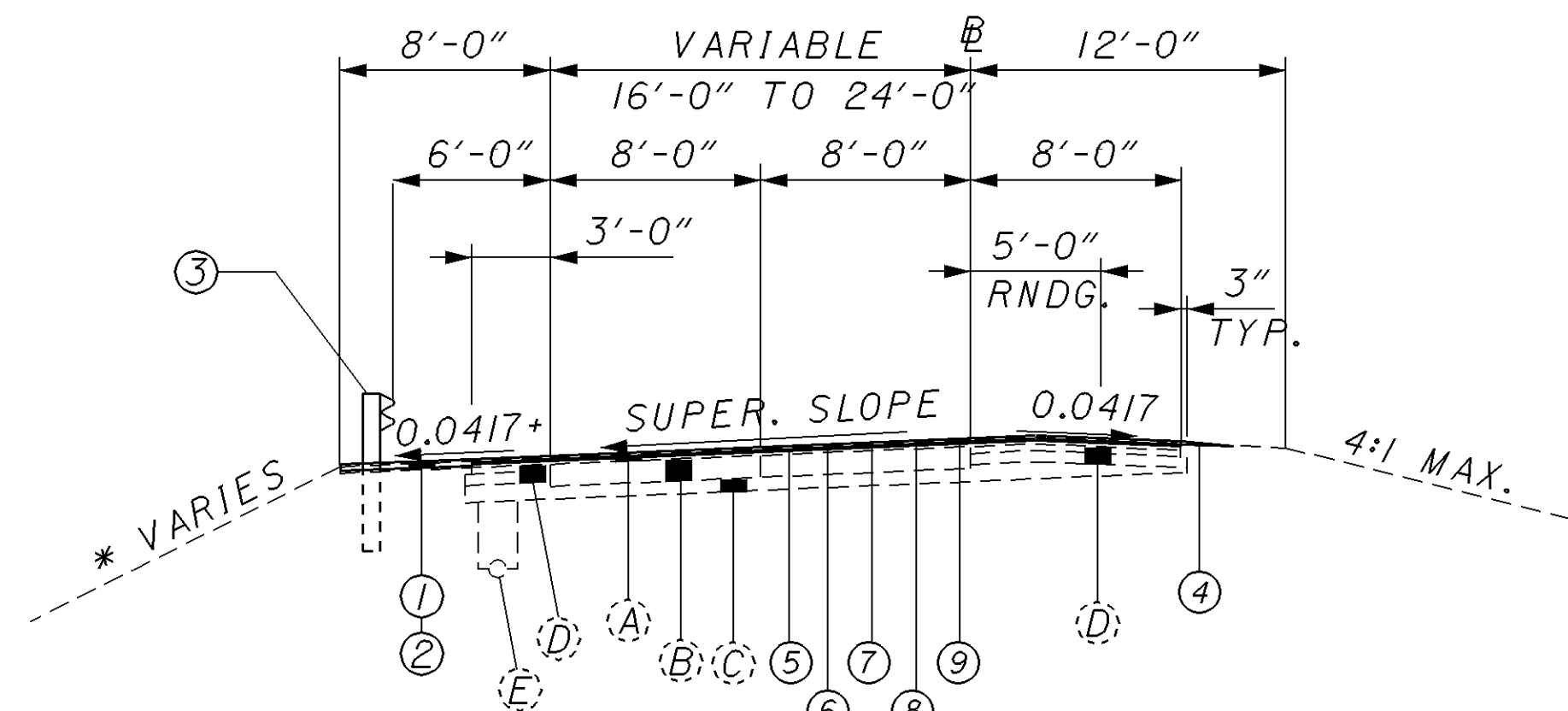
**TYPICAL SECTIONS
RAMPS A,B,C,D**



NORMAL RAMP SECTION

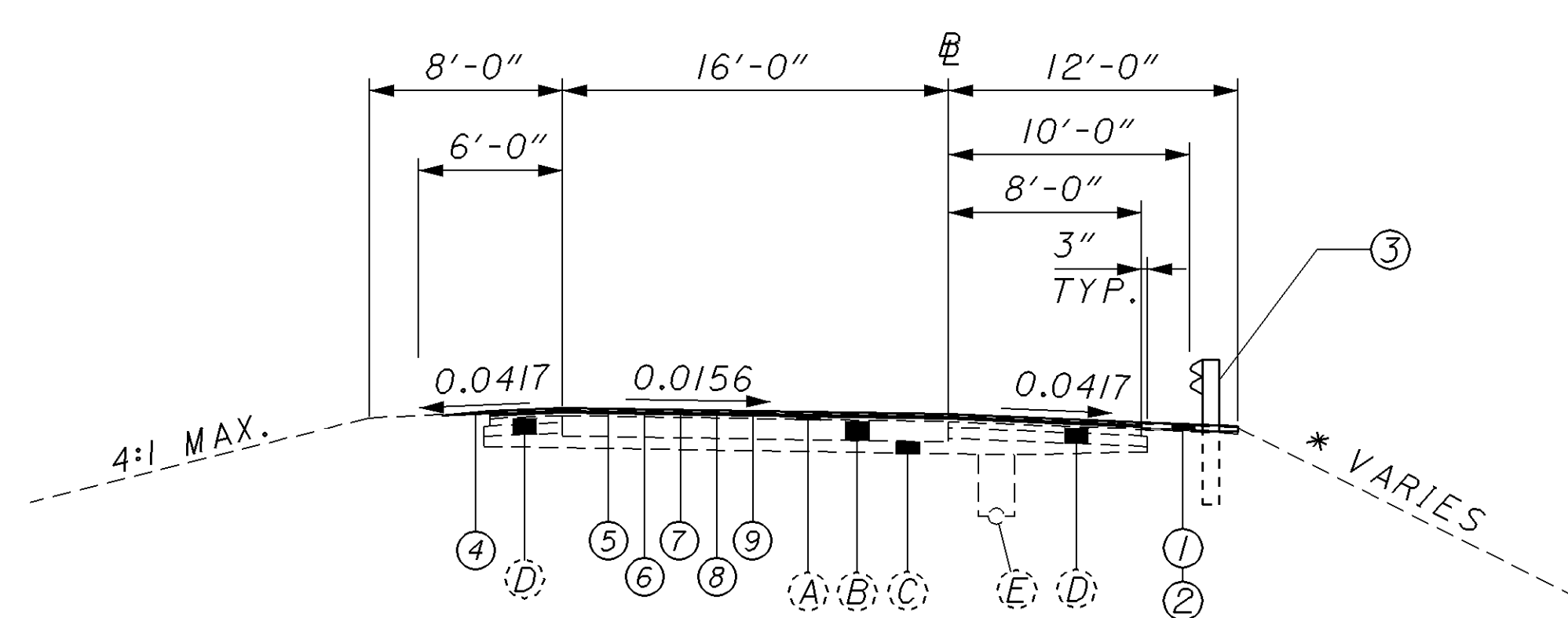


+ PAVEMENT SLOPE IF GREATER
SUPERELEVATED RAMP SECTION

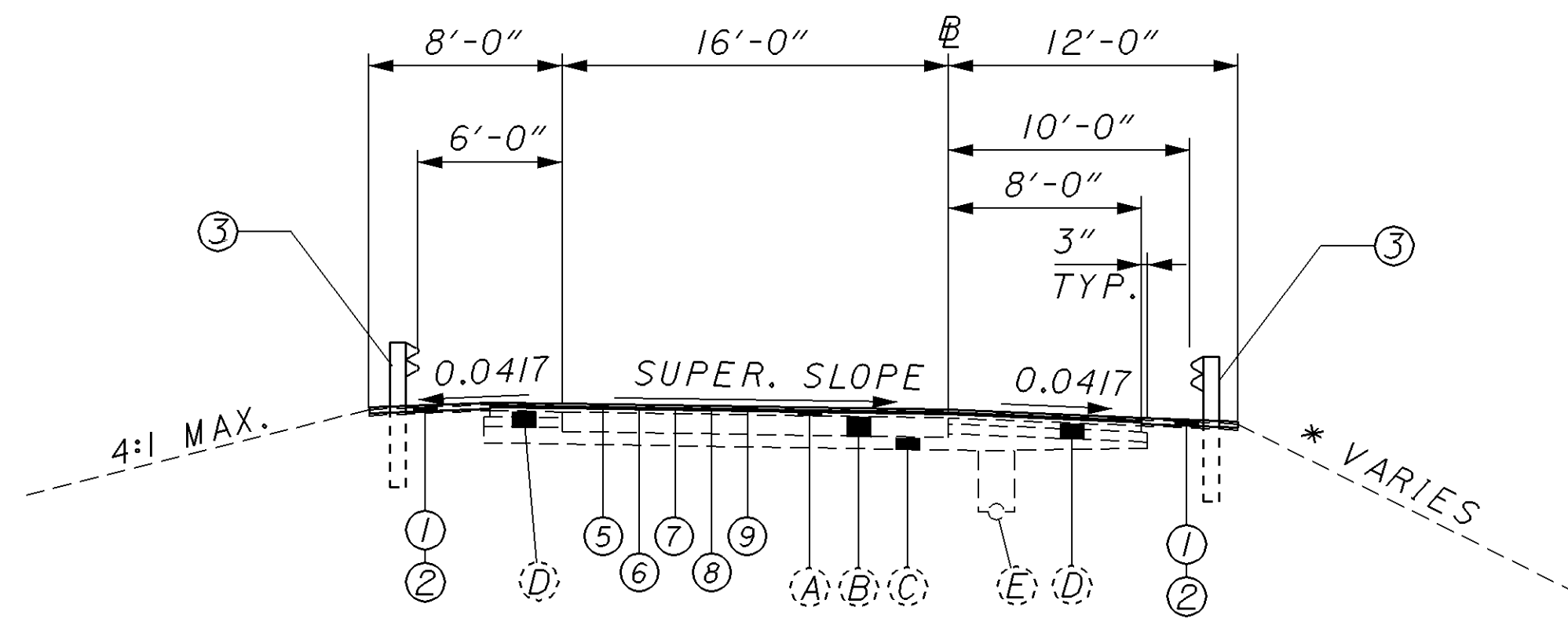


+ PAVEMENT SLOPE IF GREATER
SUPERELEVATED RAMP SECTION

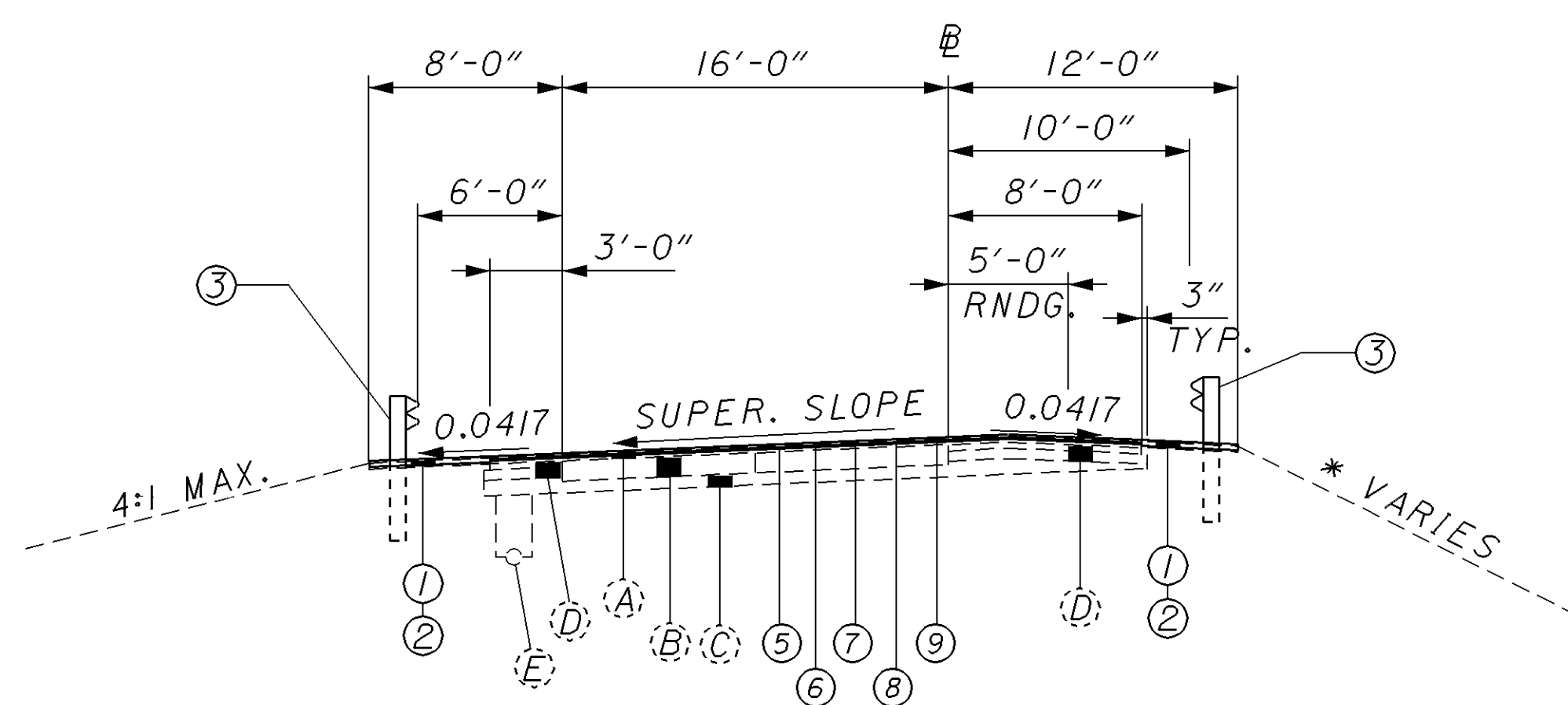
**TYPICAL SECTIONS
RAMPS Q,S,T,V**



NORMAL RAMP SECTION



SUPERELEVATED RAMP SECTION



SUPERELEVATED RAMP SECTION

I:\PROJECTS\PI\19530\DGN\19530gy.f.dgn 21-AUG-2001 12:25PM fkonopka