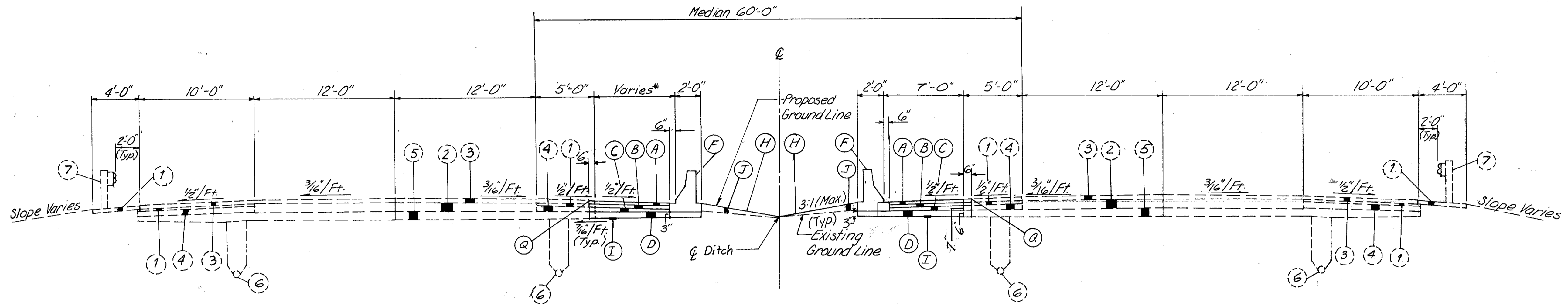


# TYPICAL SECTIONS

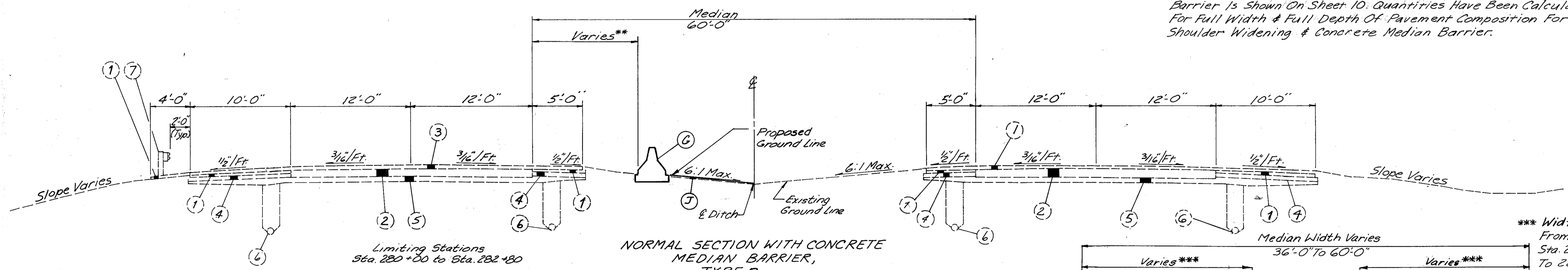


\* Width Is 7'-0" From Sta. 222+40 To Sta. 278+20  
 \* Varies From 7'-0" @ Sta. 278+20 To 16'-0" @ Sta. 280+00. Pavement Widening Ends @ Sta. 279+20 @ 12'-0" Width.  
 \*\* Width Varies From 16'-0" @ Sta. 280+00 To 30'-0" @ Sta. 282+80.

**NORMAL SECTION WITH CONCRETE MEDIAN BARRIER, TYPE D, AS PER PLAN**

Limiting Stations  
 Sta. 222 + 40 To Sta. 280 + 00

Notes: 1) From Sta. 222+40 To Sta. 280+00 Sawcut Exist. Shoulder For Proposed Shoulder Widening 6" Back From Exist. Shoulder Edge.  
 2) From Sta. 215+27.53 To Sta. 222+40 Sawcut Exist. Shoulder For Placement Of Concrete Median Barrier.  
 3) Quantities For Item 203 Excavation Not Including Embankment Construction For Proposed Shoulder Widening & Concrete Barrier Is Shown On Sheet 10. Quantities Have Been Calculated For Full Width & Full Depth Of Pavement Composition For Shoulder Widening & Concrete Median Barrier.

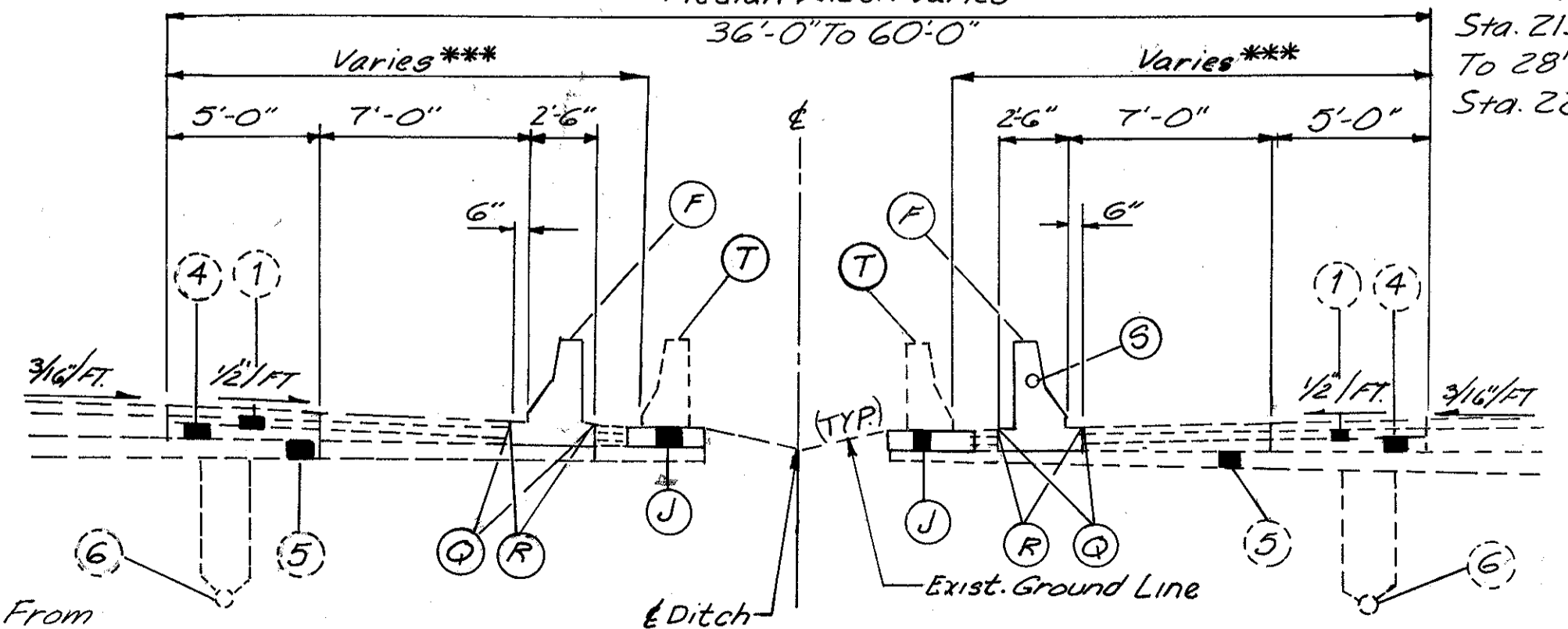


**LEGEND**

- Existing*
- ① 3" Bituminous Aggregate Base
  - ② 10" Reinforced Portland Cement Concrete Pavt.
  - ③ 3" Asphalt Concrete
  - ④ 5" Aggregate Base
  - ⑤ Variable Depth Subbase
  - ⑥ 6" Underdrain, 18" Min. - 60" Max.
  - ⑦ Guardrail, Type 5

- Proposed*
- (A) Item 404 3" Asphalt Concrete, AC-20
  - (B) Item 301 3" Bituminous Aggregate Base, AC-20
  - (C) Item 304 Aggregate Base, As Per Plan (3" Min. To 7" Max.)
  - (D) Item 310 Subbase, Type I, Grading A, As Per Plan (3" Min. to 6" Max.)
  - (F) Item 622 Concrete Barrier, Type D, As Per Plan
  - (G) Item 622 Concrete Barrier, Type B
  - (H) Item 659 Seeding And Mulching

- (I) Item 203 Subgrade Compaction
- (J) Item 203 Embankment
- (Q) Sawcut Shoulder Per 203.04(+) Cost To Be Included Under Item 203, Excavation Not Including Embankment Construction.
- (R) Joint Sealer Between Proposed Concrete Median Barrier & Exist. Pavement To Be Included Under Item 622, Concrete Median Barrier, Type D, As Per Plan.
- (S) Raceway. Cost To Be Included Under Item 622 Concrete Median Barrier, Type D, As Per Plan, From Sta. 215+27.53 To Sta. 217+81. See Shr. 14A.
- (T) Item 202 Concrete Barrier Removed Sta. 215+27.53 To Sta. 222+16.48



**NORMAL SECTION WITH CONCRETE MEDIAN BARRIER, TYPE D, AS PER PLAN**

Limiting Stations - Sta. 215+27.53 to Sta. 222+40

\*\*\* Width Varies From 12'-0" @ Sta. 215+27.53 To 28'-6" @ Sta. 222+16.48