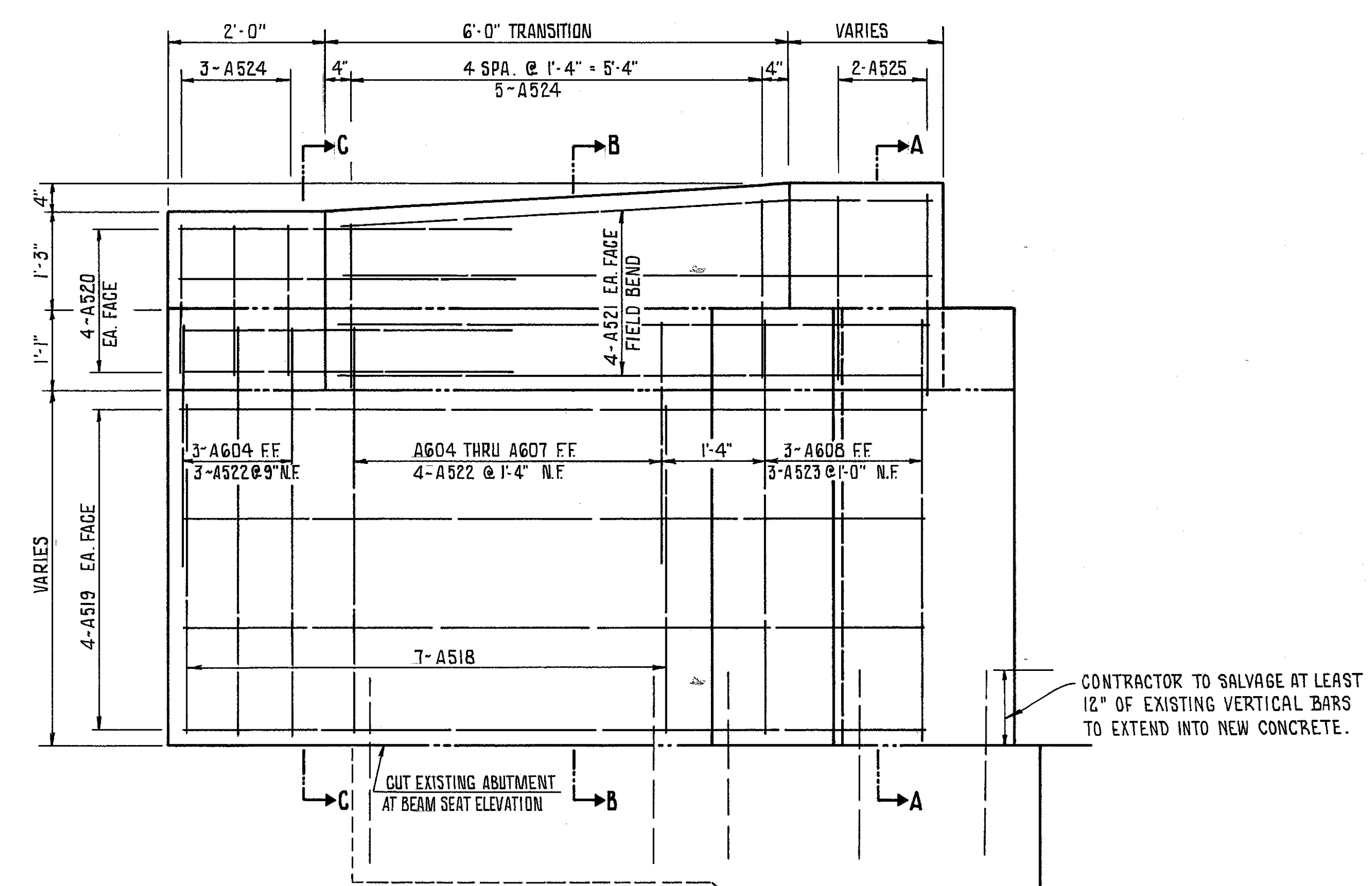
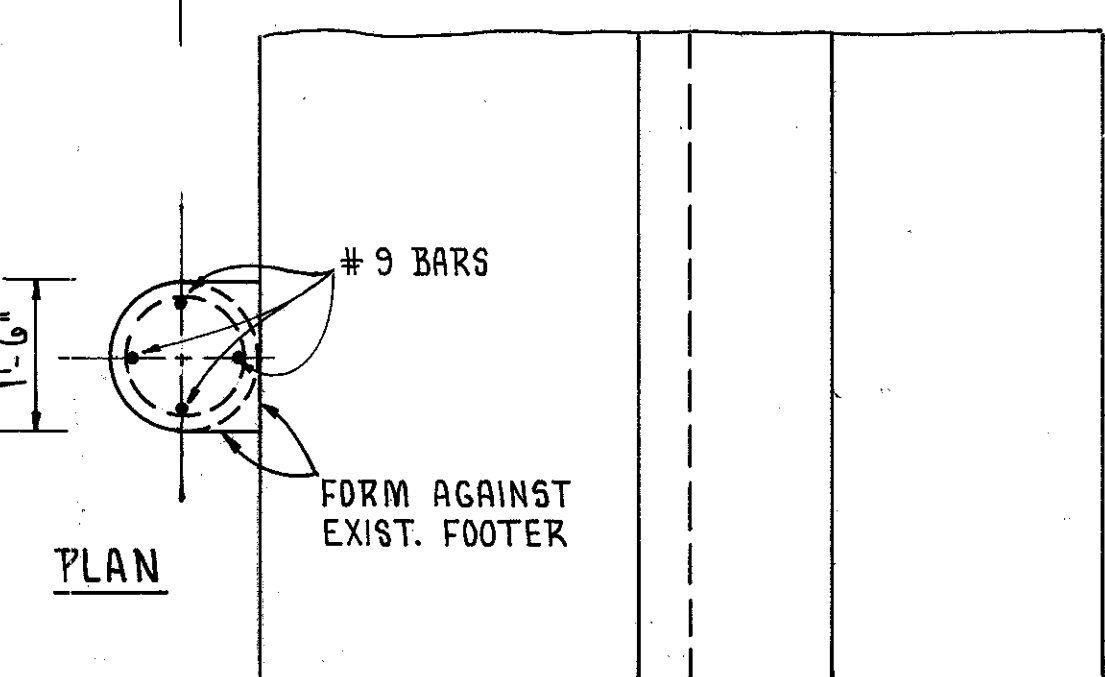
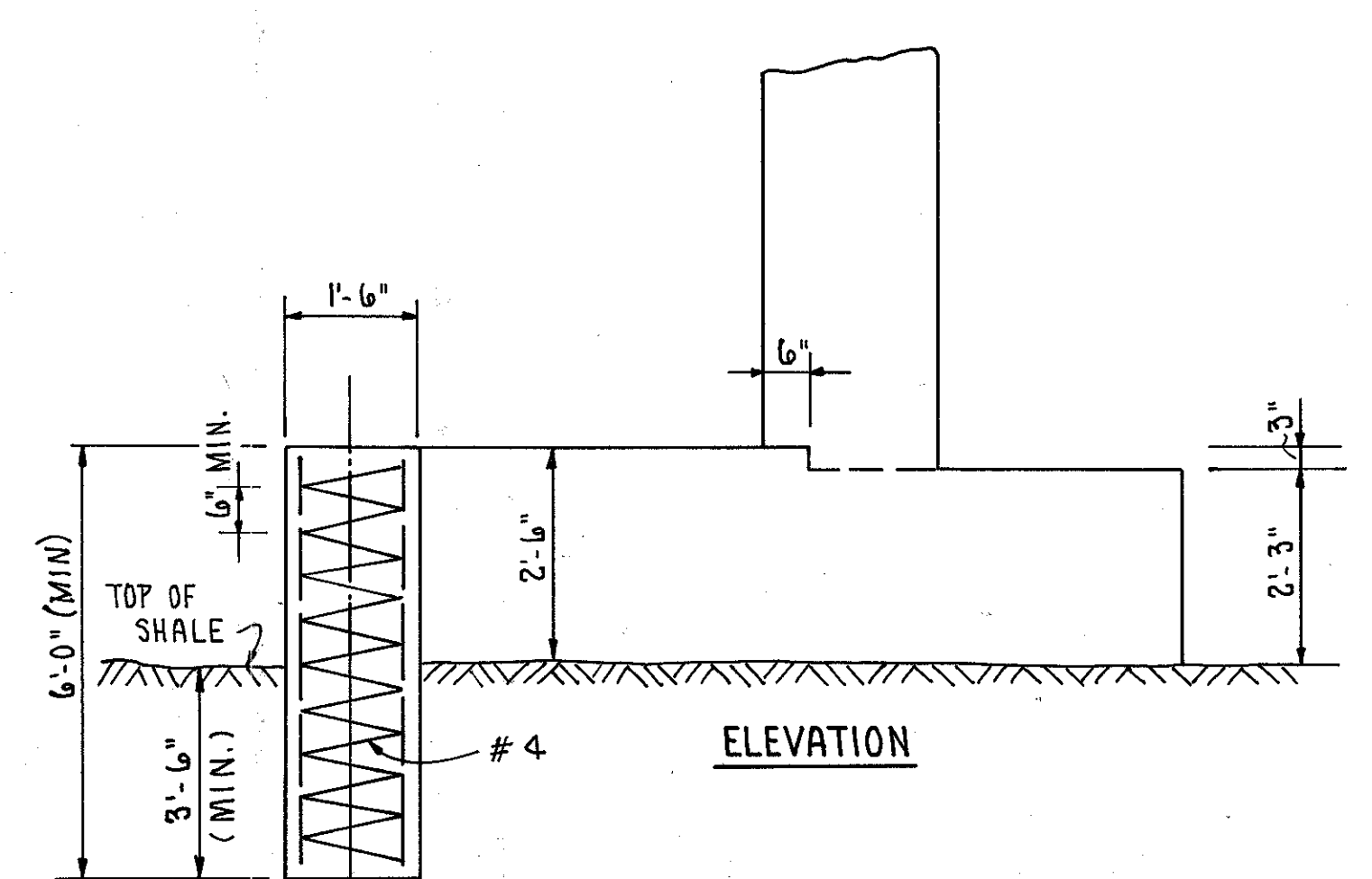


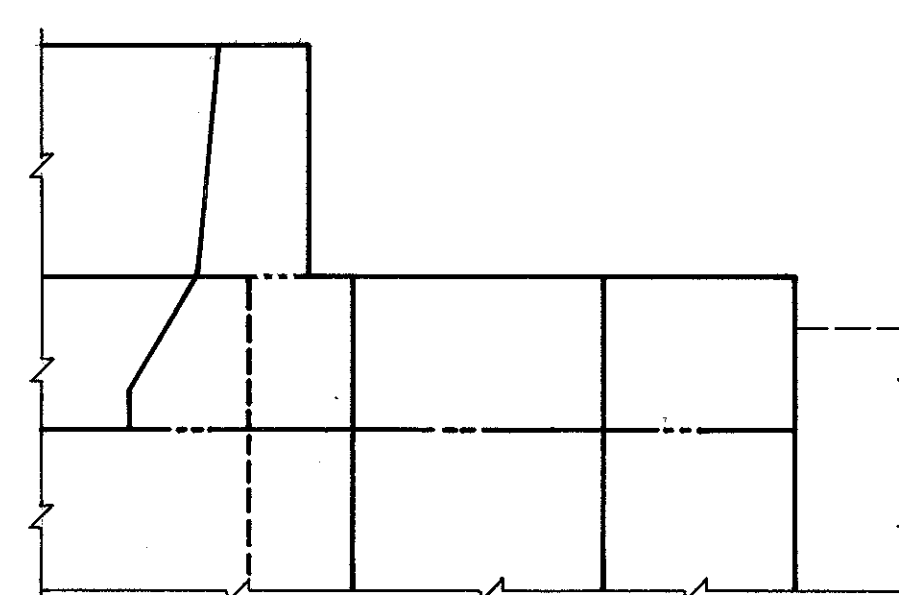
PLAN



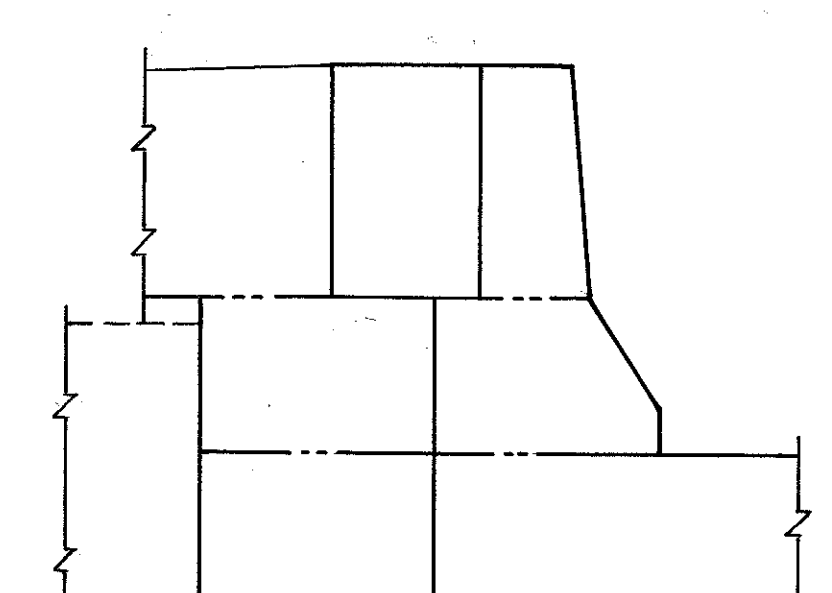
SIDE ELEVATION D-D
(EMBANKMENT WINGWALL)



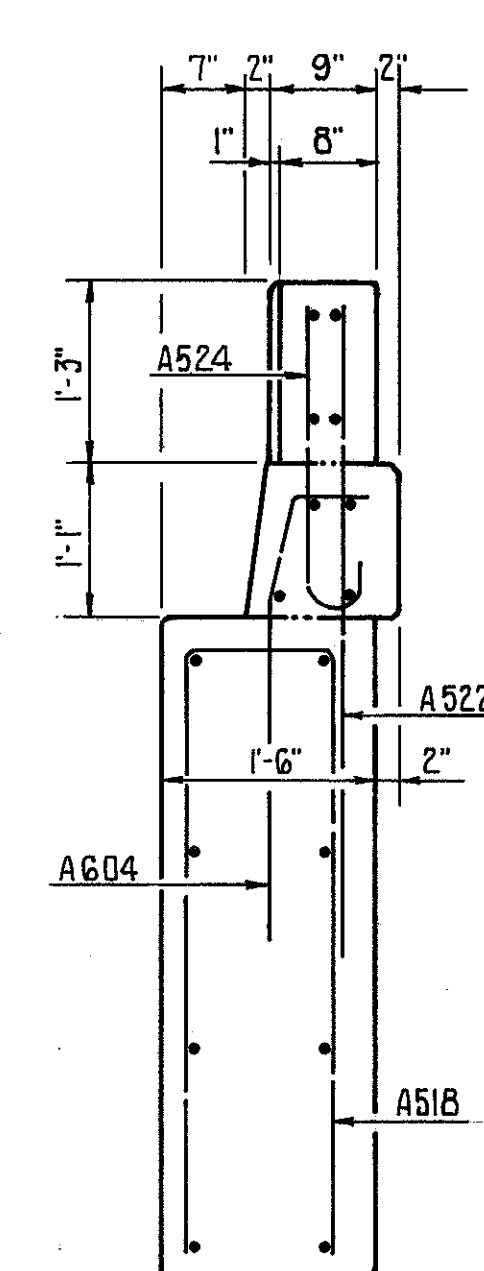
DRILLED SHAFTS AT ABUTMENT NO. 1



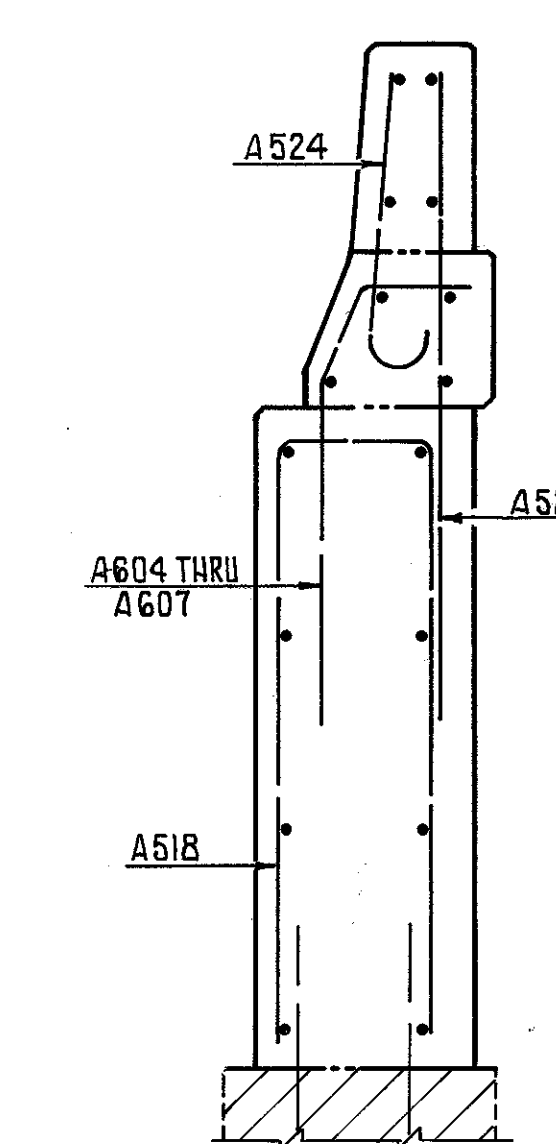
FRONT ELEVATION F-F



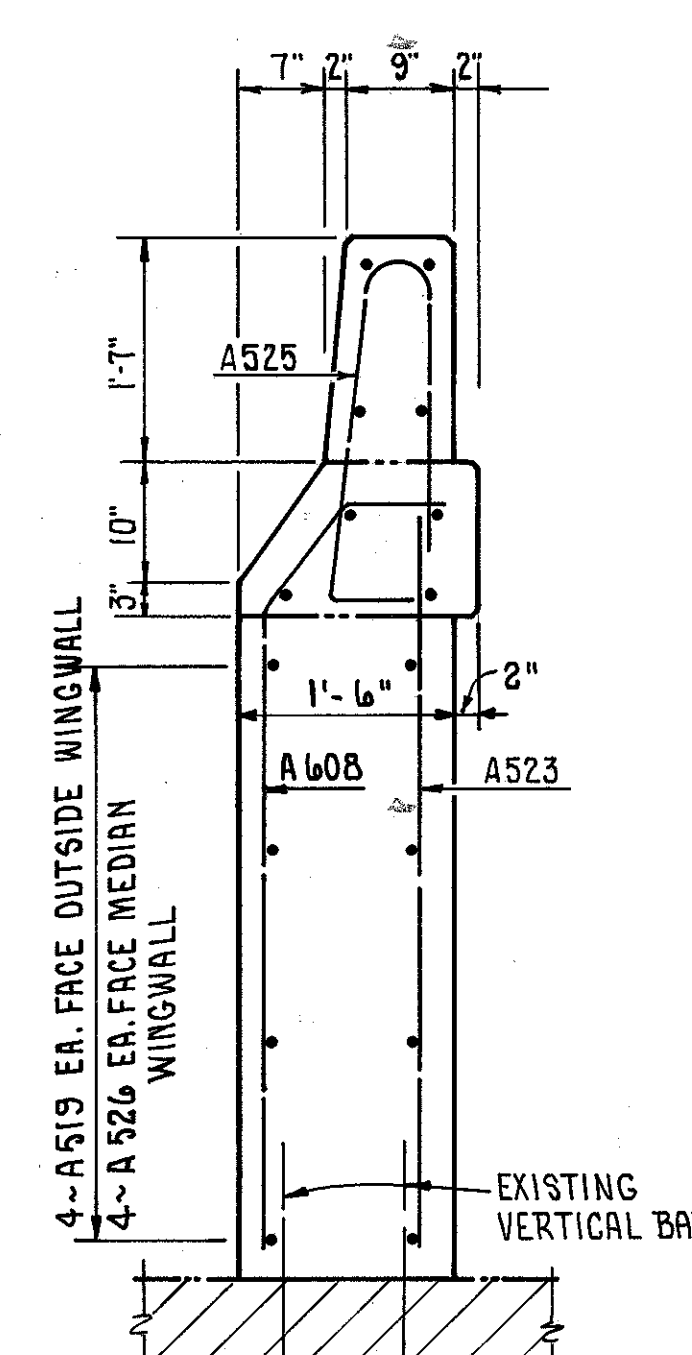
FRONT ELEVATION E-E



SECTION C-C



SECTION B-B



SECTION A-A

NOTE:
1. N.F. DENOTES NEAR FACE.
2. F.F. DENOTES FAR FACE.

MINIMUM BAR LAP
#6 = 1'-11"
#5 = 1'-7"

FRANKLIN CONSULTANTS INC. 7/8					
Consulting Engineers					
COLUMBUS, OHIO					
ABUTMENT PARAPET DETAILS					
BRIDGE No. LAK-2-0530					
S.R. 2 OVER CHAGRIN RIVER					
LAKE COUNTY S.R. 2					
DESIGNED	DRAWN	TRACED	CHECKED	REVIEWED	DATE
SM	HM	GKS	HM	JF	1/16-80