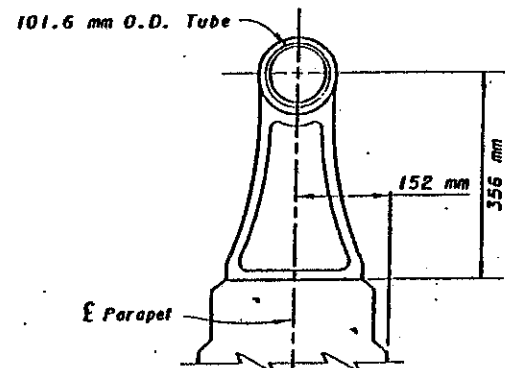
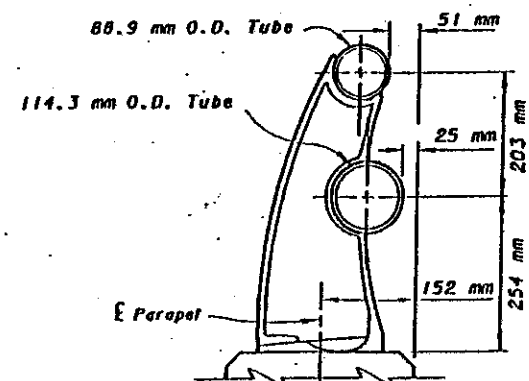


See Standard Drawing AR-1-57.  
Use curved fence or straight 2450 mm high fence  
as determined by curb or sidewalk width and  
and Base Plates BP-1, BP-2, BP-3 or BP-4.



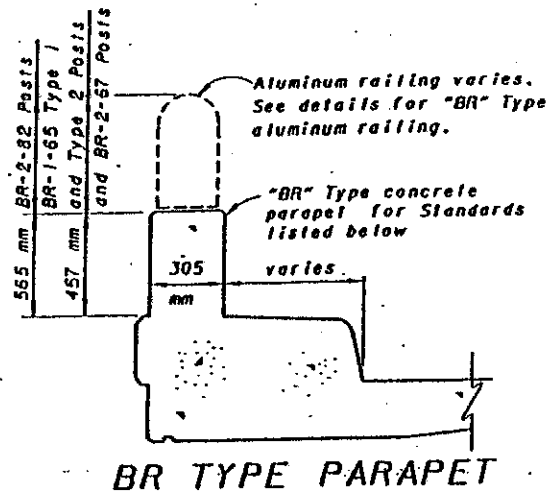
Aluminum railing  
for Standard Drawing  
AR-1-57 with Type A Posts



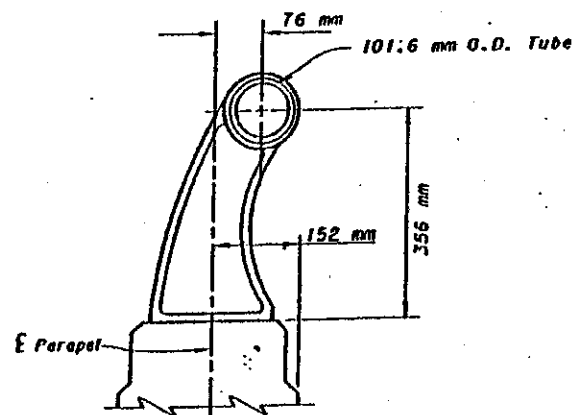
Aluminum railing for Standard  
Drawings BR-2-82, BR-2-67 and  
BR-1-65 with Type 2 Posts

**BR TYPE ALUMINUM RAILING**

**RAILING TYPES**

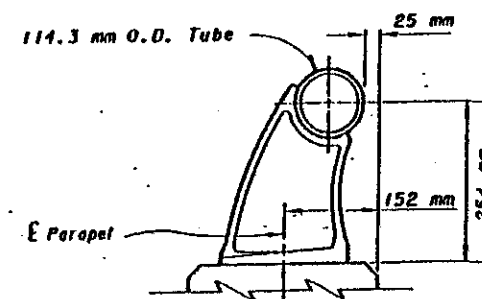


See Standard Drawings BR-2-82, BR-2-67 and  
BR-1-65. Use curved fence or straight 2450 mm  
high fence as determined by curb or sidewalk  
width and Base Plate BP-1.



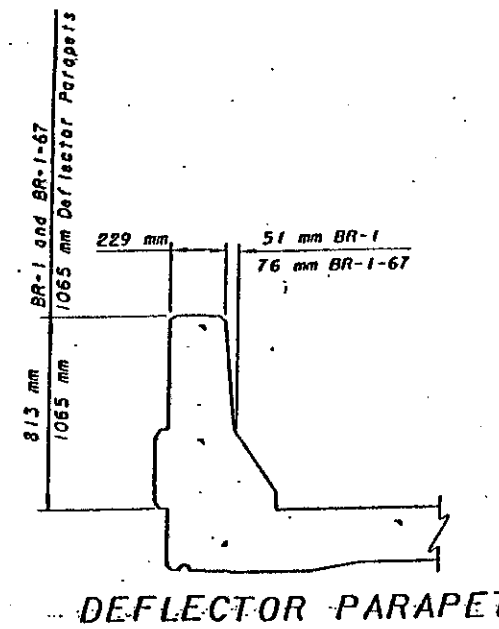
Aluminum railing  
for Standard Drawing  
AR-1-57 with Type B Posts

**AR TYPE ALUMINUM RAILING**

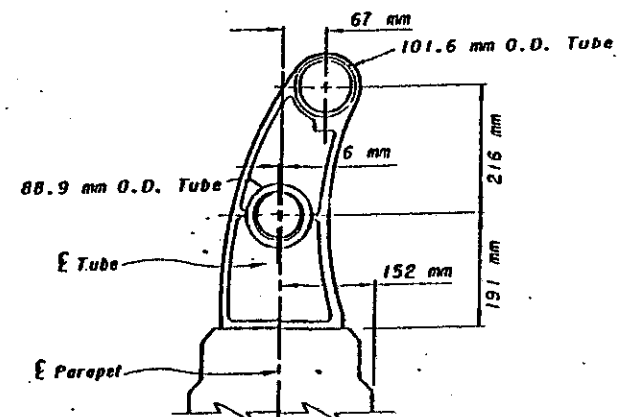


Aluminum railing for  
Standard Drawing  
BR-1-65 with Type 1 Posts

Base plate threaded anchors  
are designed for a minimum  
concrete strength of  
 $f_c' = 28$  MPa. Special designs  
required for concrete  
strengths less than this.



See Standard Drawings BR-1 & BR-1-67 and  
1065 mm Deflector Parapet. Use straight  
1850 mm high fence and Base Plate BP-5.



Aluminum railing  
for Standard Drawing  
AR-1-57 with Type C Posts

STANDARD DRAWING	REVISIONS		CHECKED		REVIEWED		STATE OF OHIO DEPARTMENT OF TRANSPORTATION	DESIGN AGENCY
	JCR	RD	WTF/LMW	WTF/LMW	BUREAU OF BRIDGES AND STRUCTURAL DESIGN			
VANDAL PROTECTION FENCE GENERAL NOTES AND RAILING TYPES		GFJ/RJS	VFF-1-90M	DATE		8-20-85		
				ENGINEER OF BRIDGES		Richard L. Engel		
						2/7		