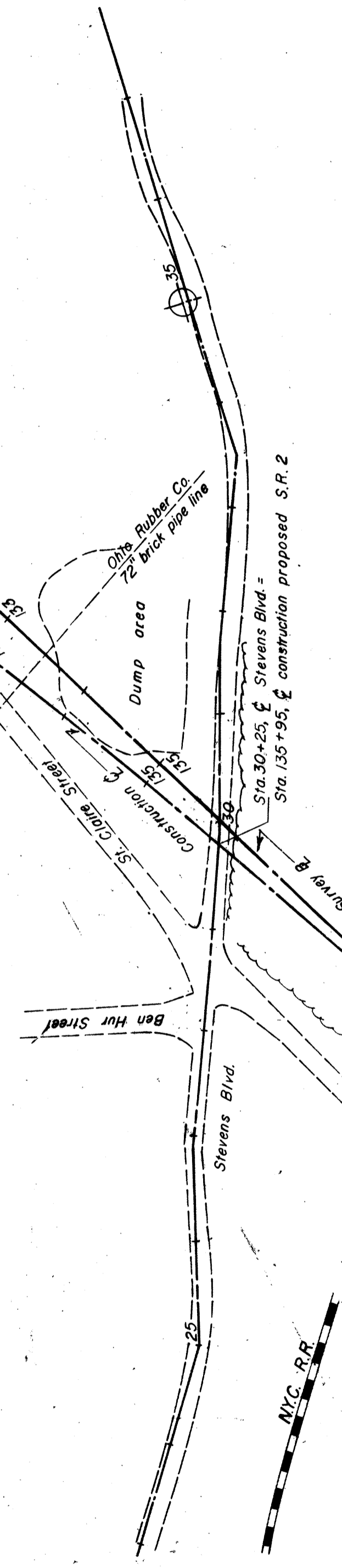
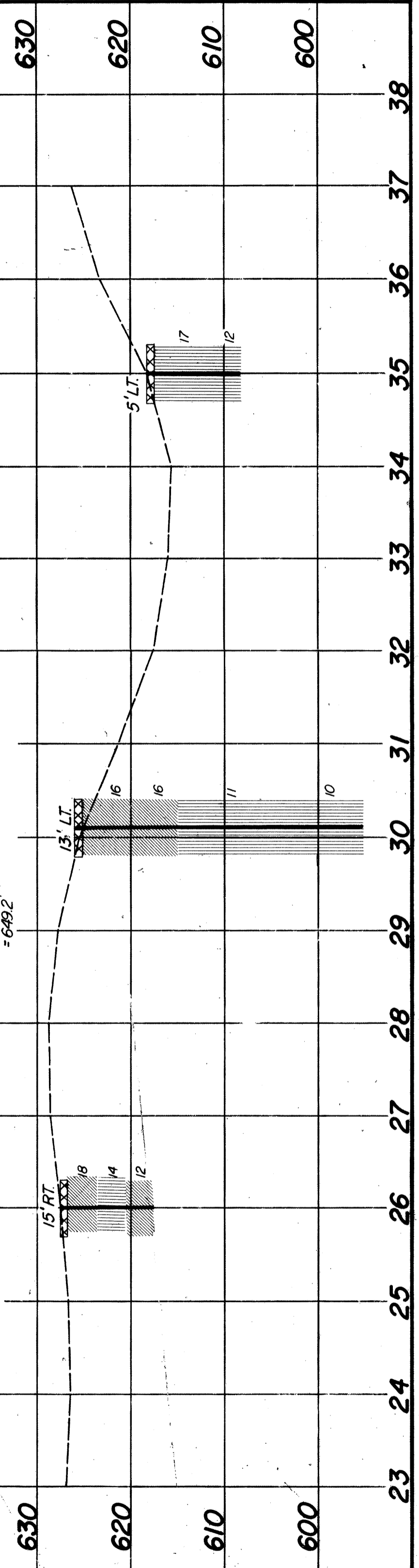


MICROFILMED
SEP 24 1986

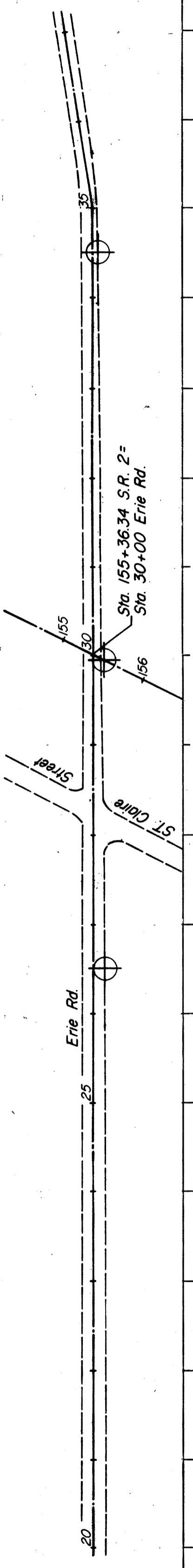
Intersection Stevens Blvd.



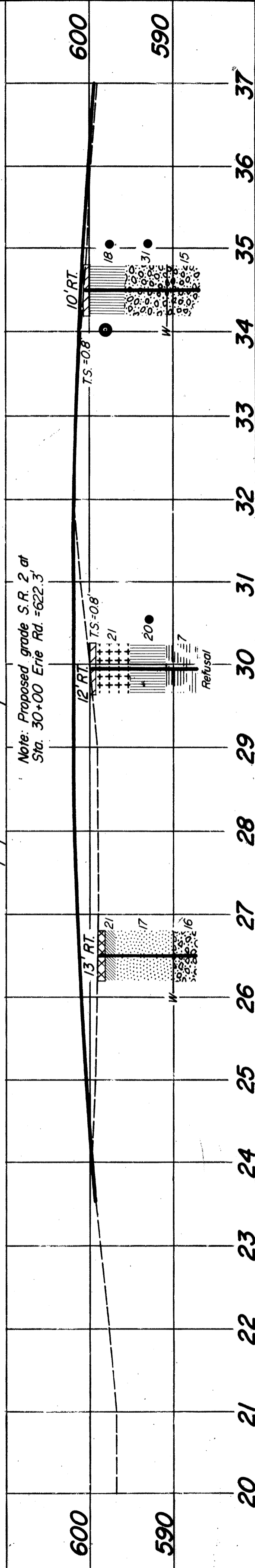
Note: Proposed grade S.R. 2 at Sta. 30+00 Stevens Blvd = 649.2



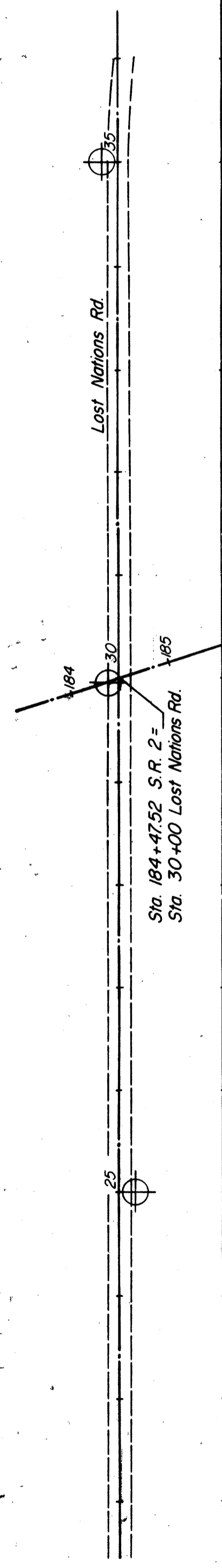
Intersection Erie Road



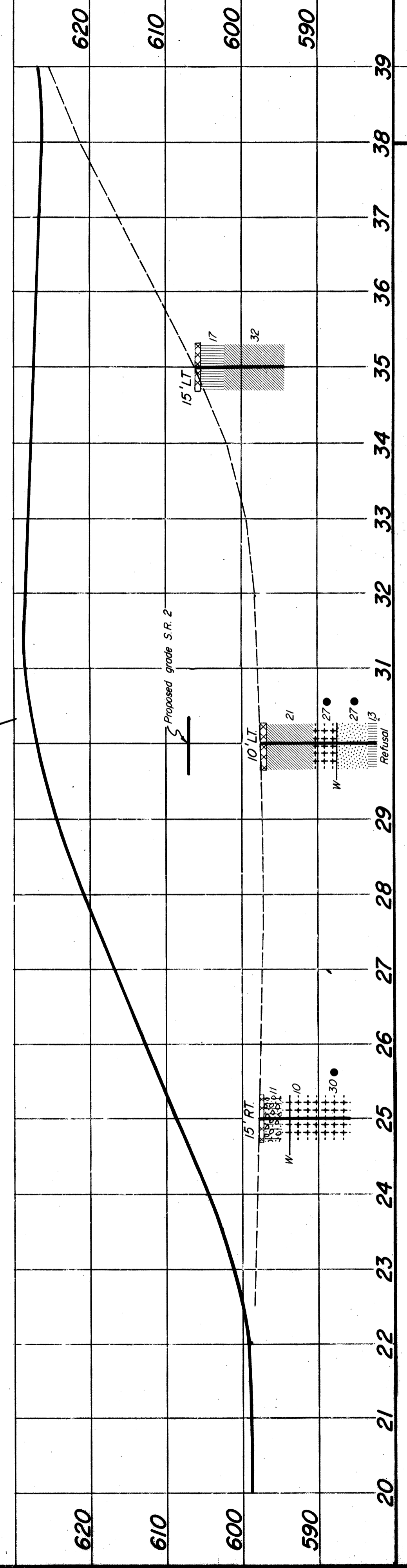
Note: Proposed grade S.R. 2 at Sta. 30+00 Erie Rd = 622.3



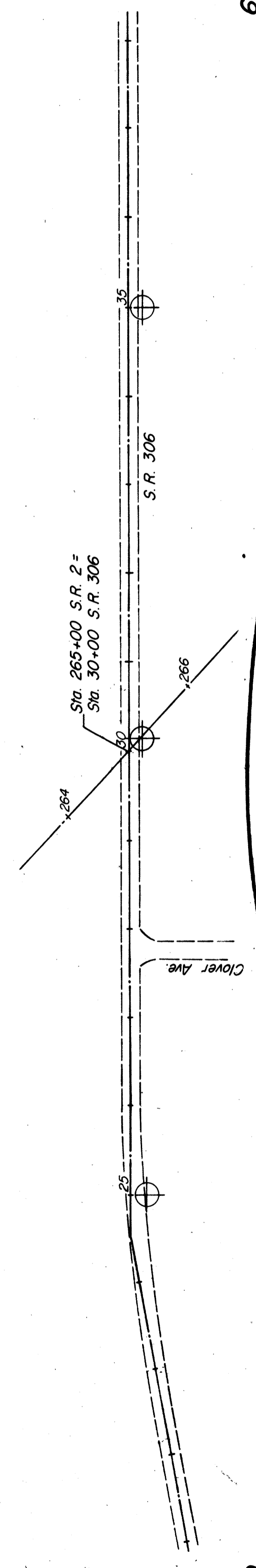
Intersection Lost Nations Road



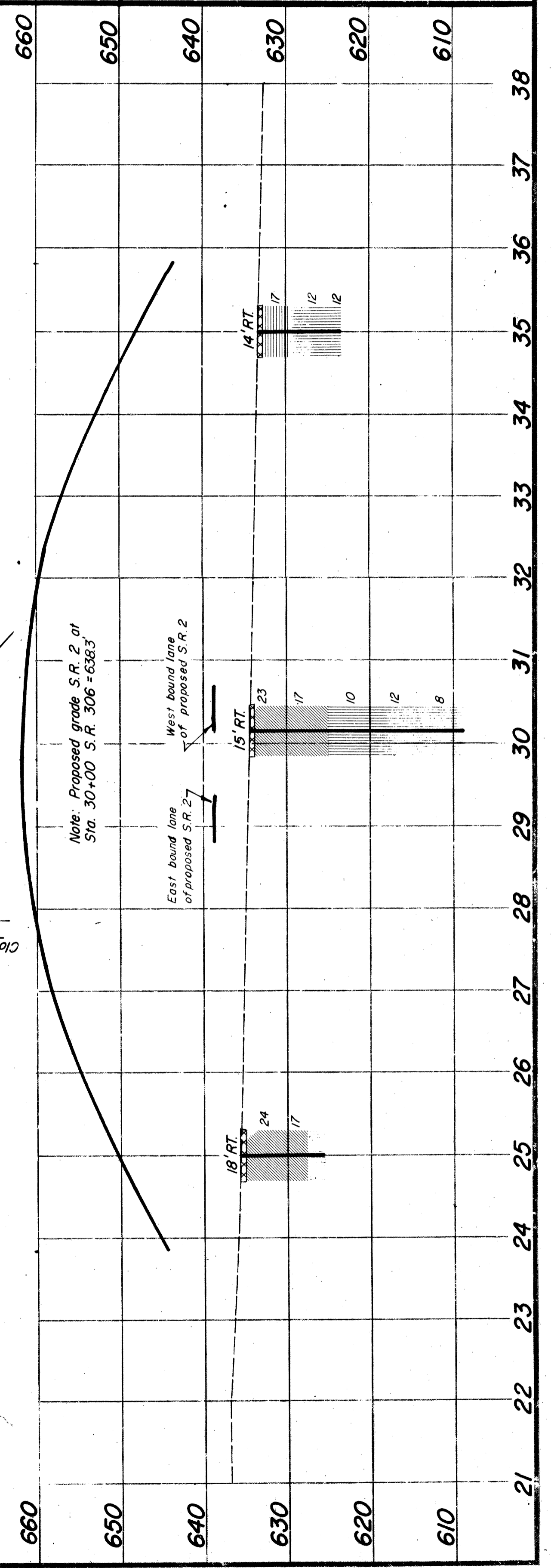
Note: Proposed grade S.R. 2 at Sta. 30+00 Lost Nations Rd = 622.3



Intersection S.R. 306



Note: Proposed grade S.R. 2 at Sta. 30+00 S.R. 306 = 636.5



SOIL PROFILE
LAKE COUNTY
LAK-2-442
STATE HIGHWAY TESTING AND
RESEARCH LABORATORY
O. S. U. CAMPUS, COLUMBUS, OHIO

