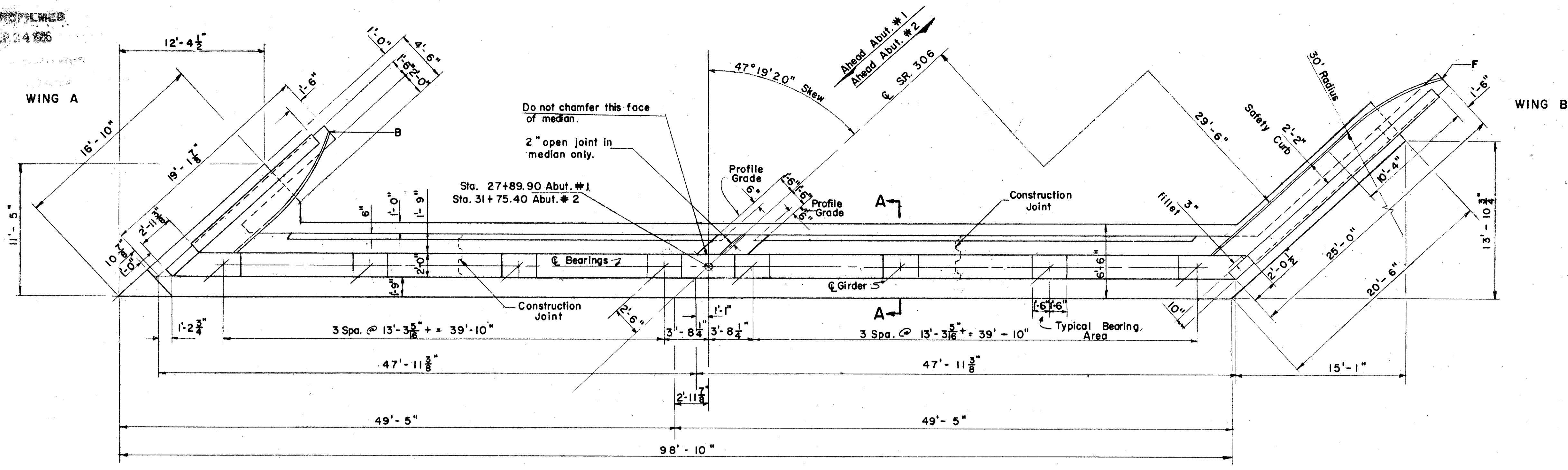


MICROFILMED
SP 24 686

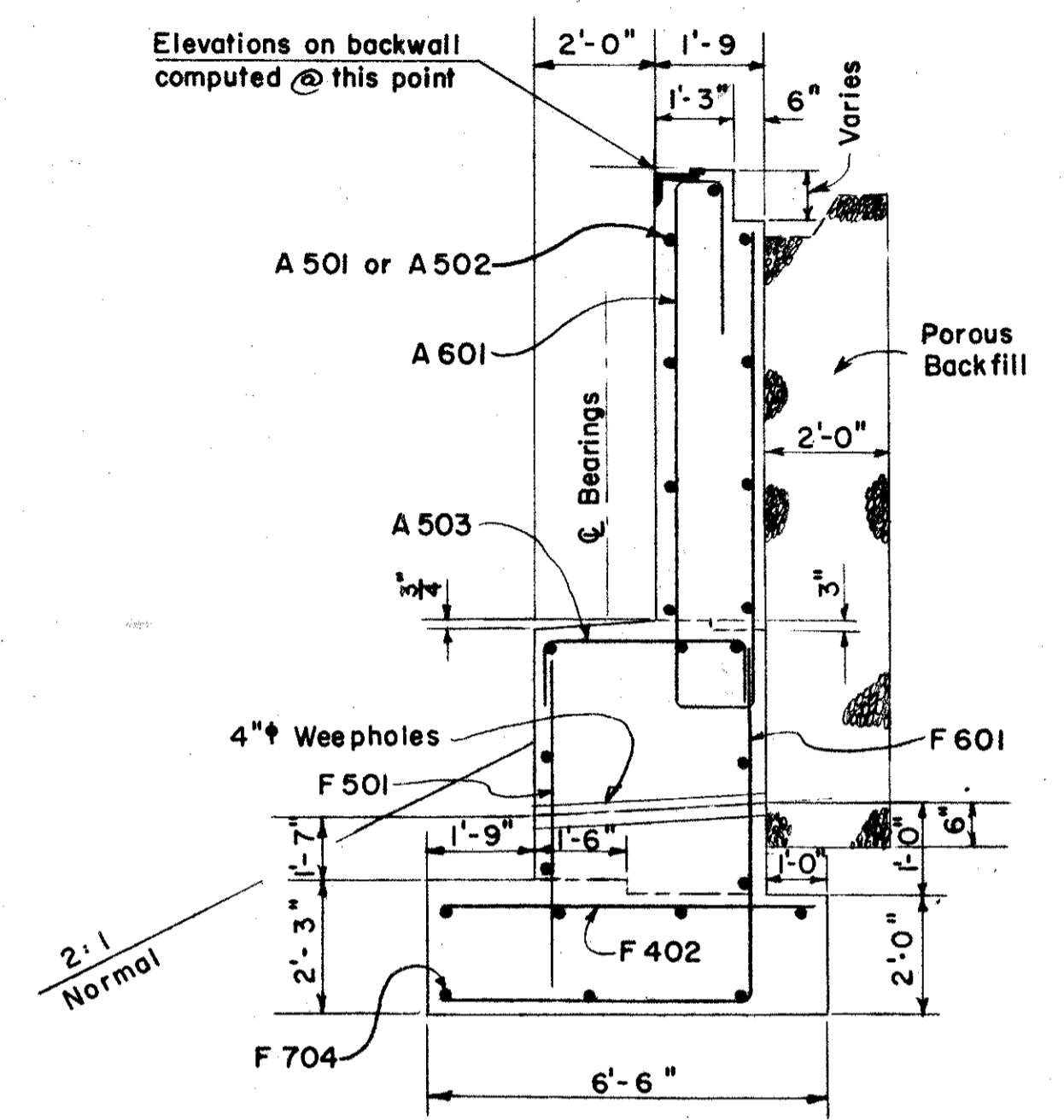
FED. RD. DIVISION	STATE	PROJECT
2	OHIO	

(275
297)

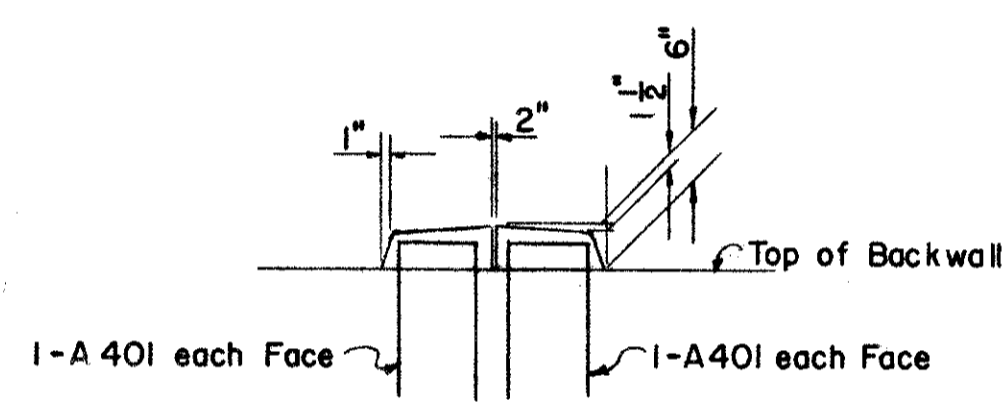
LAKE COUNTY
SEC. LAK-2- 4.42



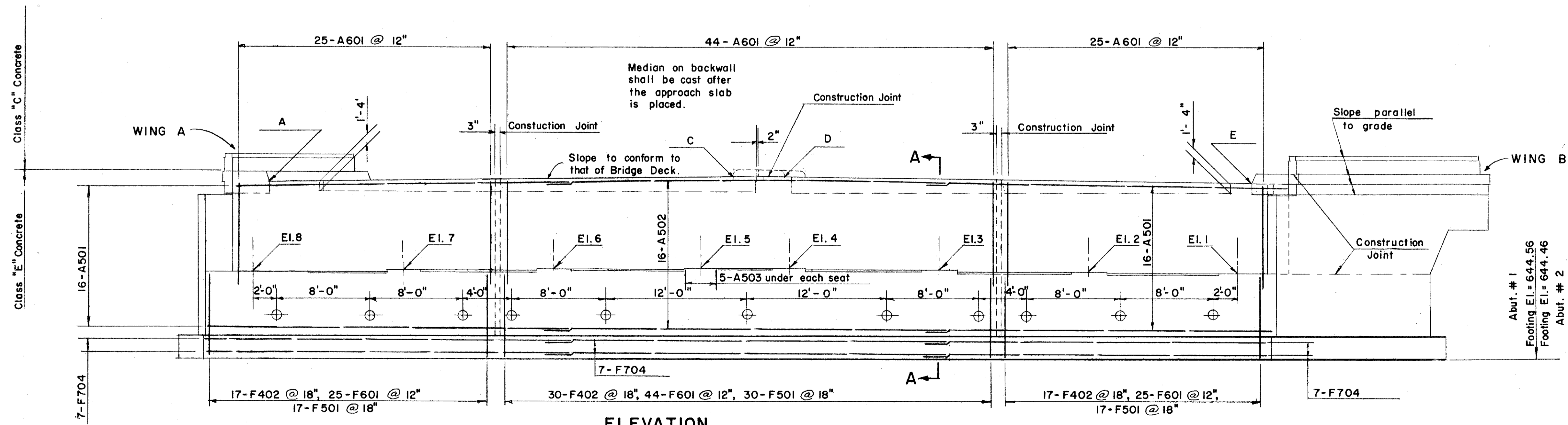
PLAN



SECTION A-A



MEDIAN DETAIL



ELEVATION

NOTES:
All reinforcing steel shall have 3" of cover in the bottom of the footing and 2" elsewhere.
Maximum foundation pressure 3 ton per sq. ft.

Location	EI. 1	EI. 2	EI. 3	EI. 4	EI. 5	EI. 6	EI. 7	EI. 8	A	B	C	D	E	F
Abut. # 1	651.06	651.37	651.67	651.97	652.05	652.05	652.05	652.03	658.65	658.42	658.67	658.62	657.71	657.13
Abut. # 2	650.96	651.28	651.58	651.88	651.97	651.97	651.97	651.96	658.57	658.45	658.58	658.53	657.61	657.03

PREPARED BY
CAPITOL ENGINEERING ASSOCIATES, DILLSBURG, PA.
FOR
STATE OF OHIO
DEPARTMENT OF HIGHWAYS
DIVISION OF DESIGN AND CONSTRUCTION
BUREAU OF BRIDGES

ABUTMENT
BRIDGE NO. LAK-2-0695
S.R. 2 UNDER S.R. 306
LAKE COUNTY
STA. 264 + 76.40

DESIGNED	DRAWN	TRACED	CHECKED	REVISED DATE	REVISED
DRT					