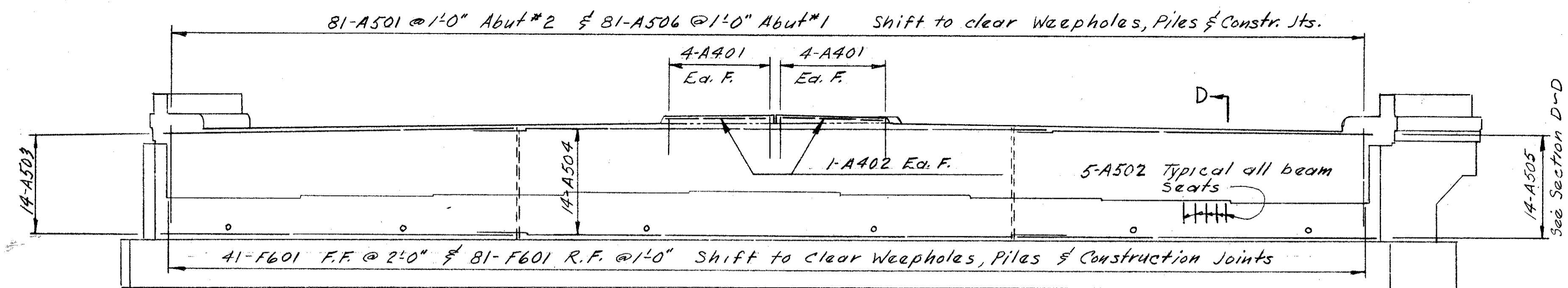
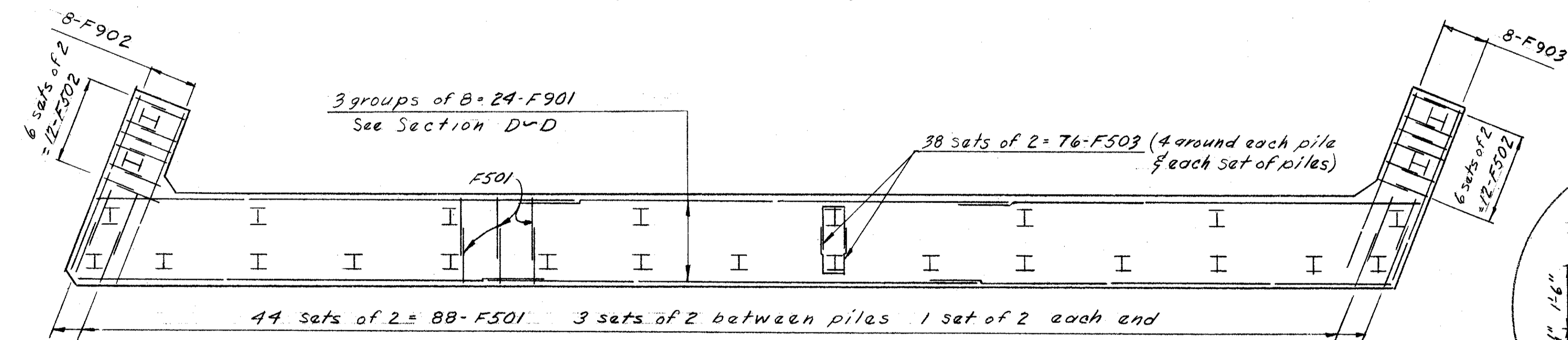


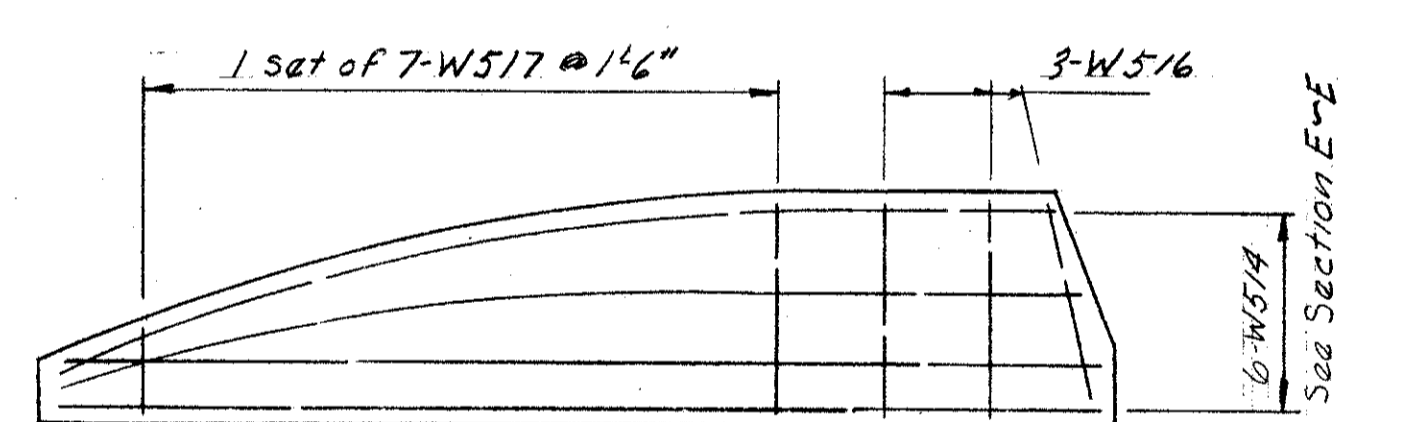
LAKE COUNTY
SEC. LAK-2-4.42



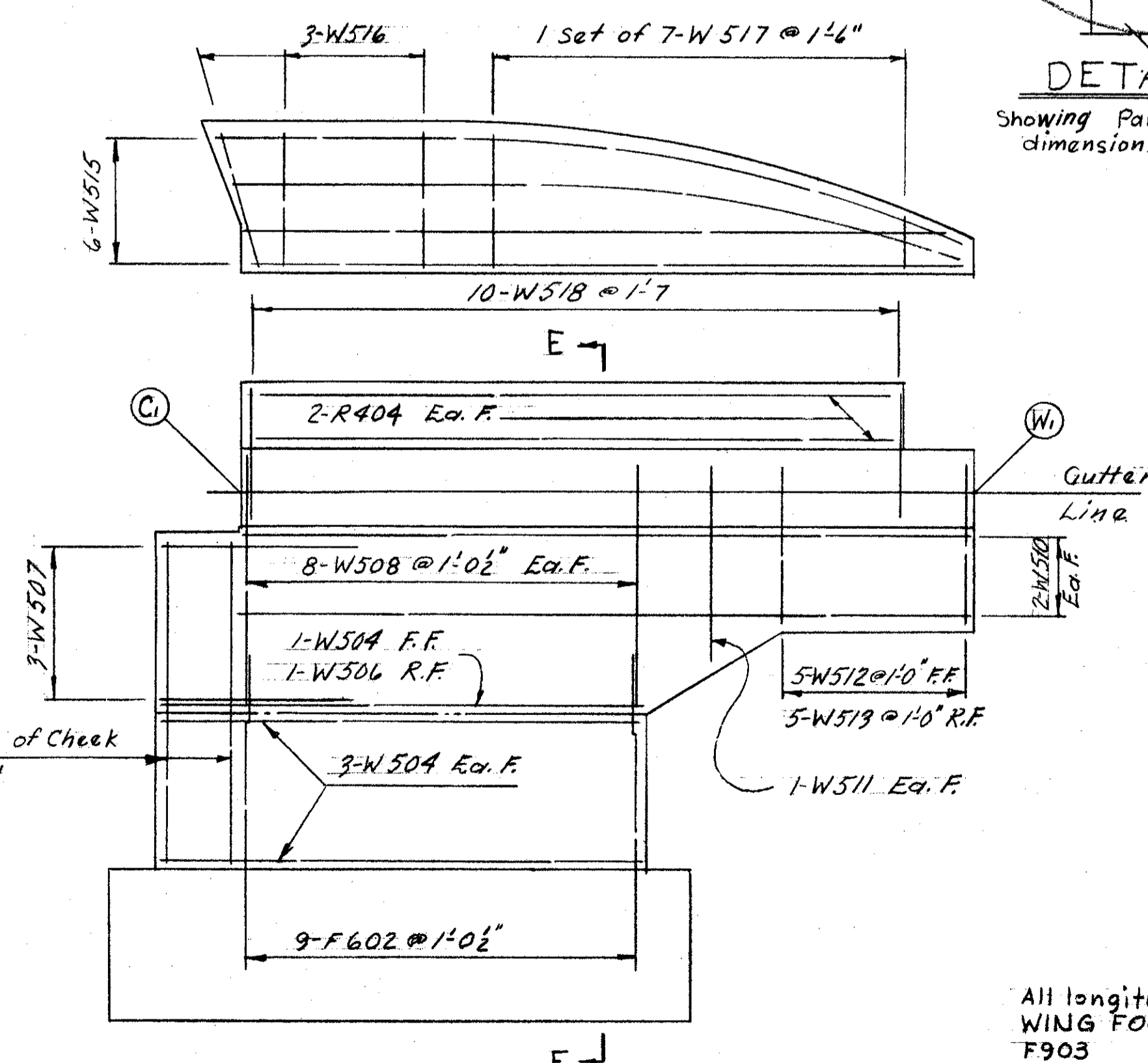
ELEVATION
Showing Reinforcement only



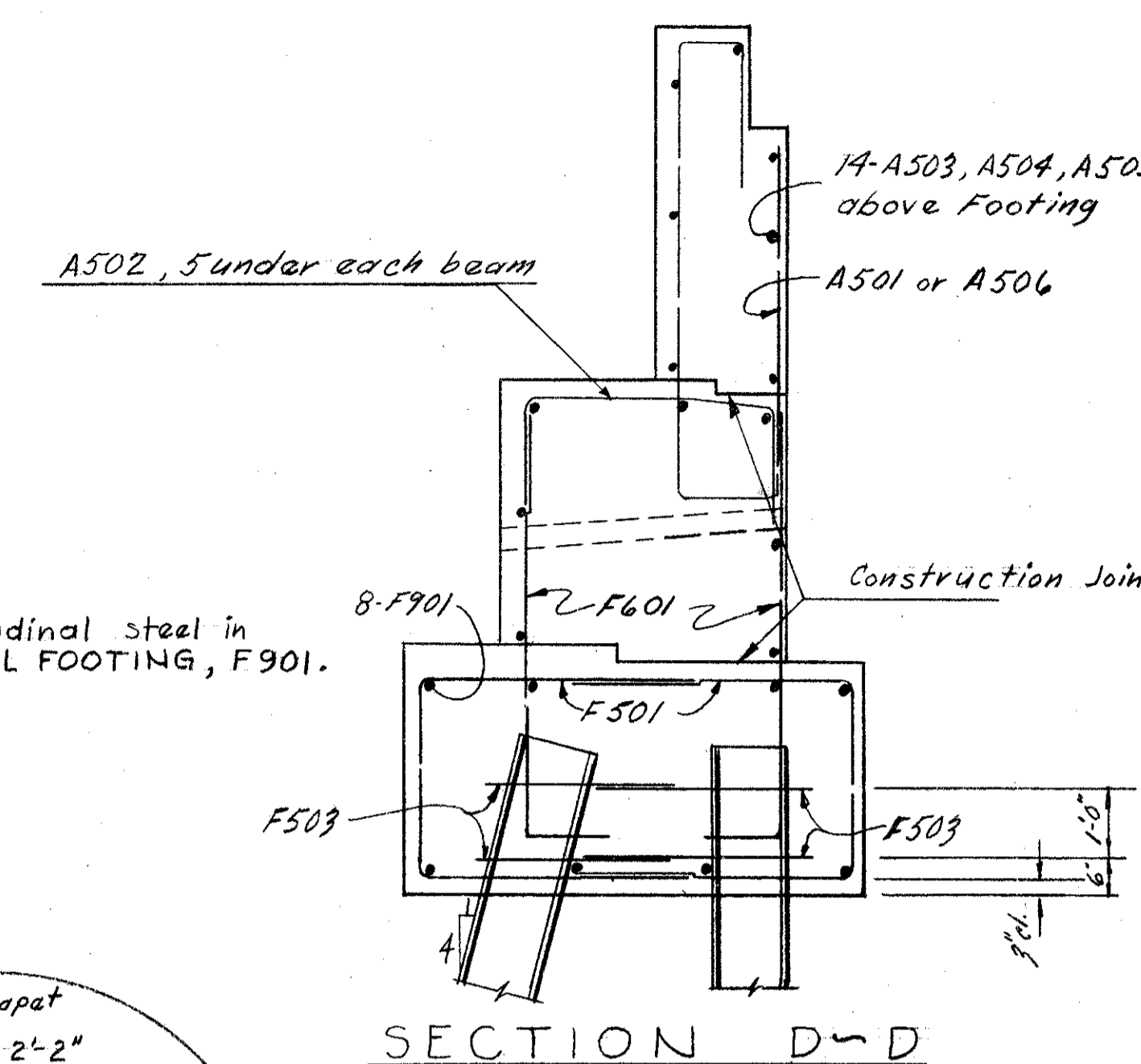
FOOTINGS REINFORCEMENT PLAN
Dowel bars not shown, see ELEVATION above.



WING B-B
Piles not shown

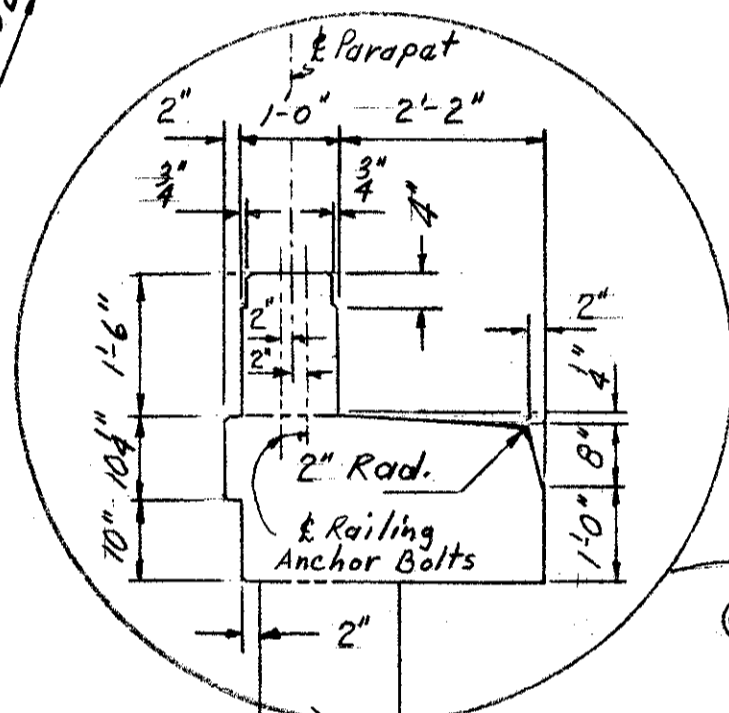


WING C-C
Piles not shown

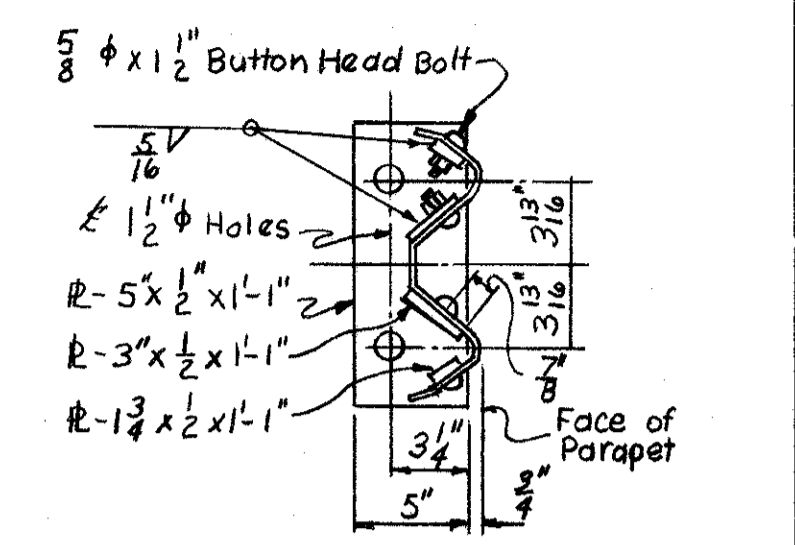


SECTION D-D

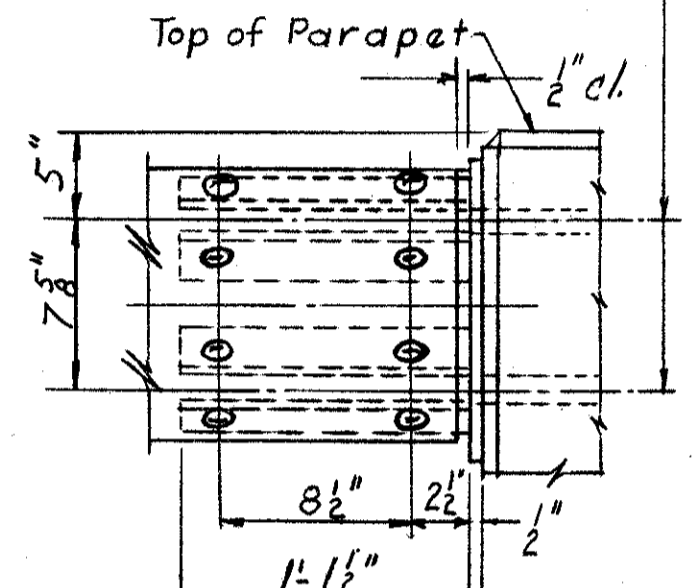
All longitudinal steel in BRESTWALL FOOTING, F901.



DETAIL
Showing Parapet & Curb dimensions

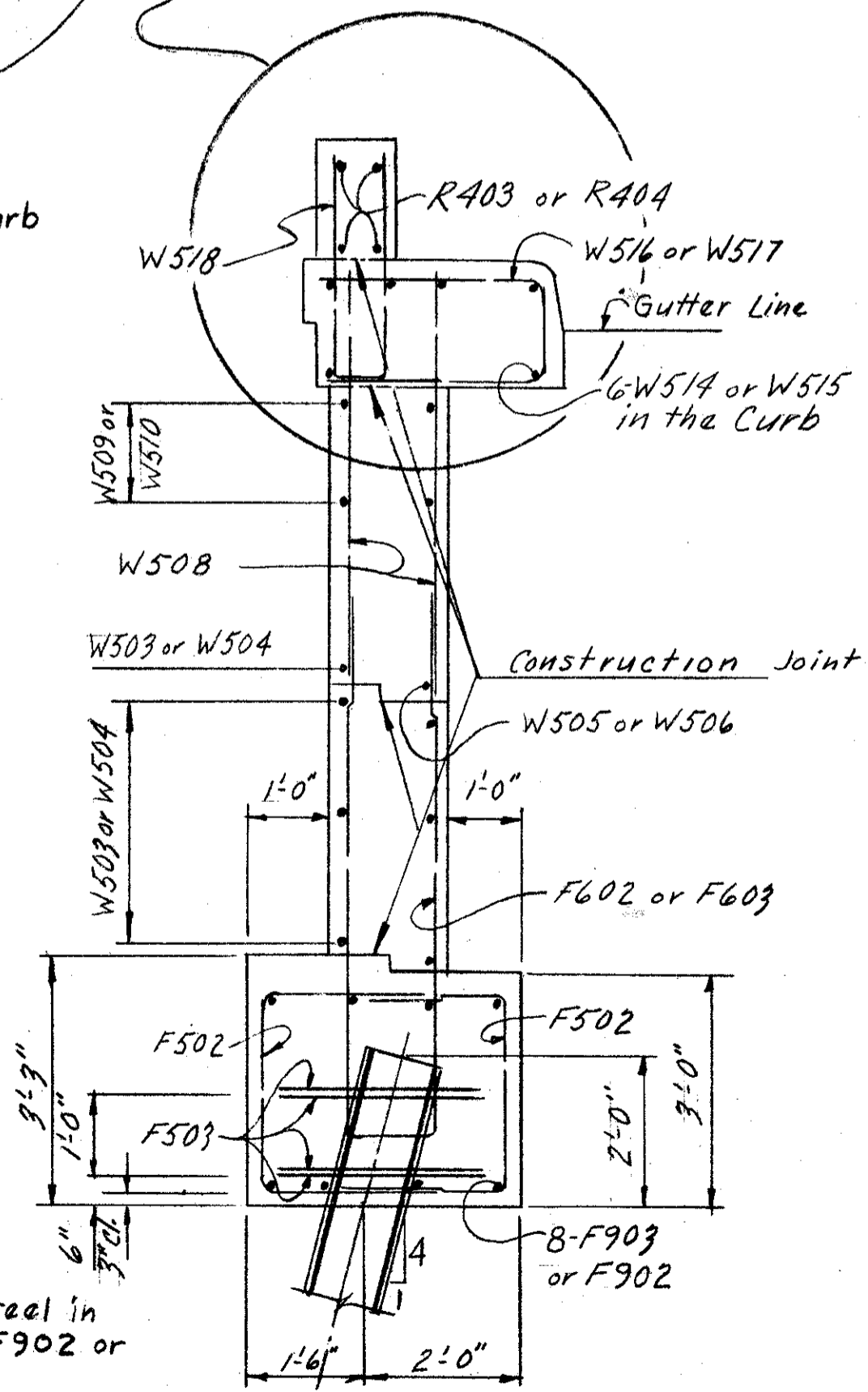


1 1/2" x 8" galvanized, square head machine bolt. Minimum thread 3" Embed 1'-6"



NOTE: Guard Rail End Connection Assembly shall be galvanized after welding.

GUARD RAIL DETAIL
4 Required Include with Item S-14 for payment.



SECTION E-E

All longitudinal steel in WING FOOTINGS F902 or F903

NOTES:
• R.F. denotes REAR FACE.
• F.F. denotes FRONT FACE.
• Ea. F. denotes EACH FACE.

• Reinforcing Steel shall have 2" of cover from all faces except as otherwise shown.

ELEVATIONS		
Location	W1	W2
Abut. #1	623.35	624.39
Abut. #2	628.68	628.68

PREPARED BY
CAPITOL ENGINEERING ASSOCIATES, DILLSBURG, PA.
FOR

STATE OF OHIO
DEPARTMENT OF HIGHWAYS
DIVISION OF DESIGN AND CONSTRUCTION
BUREAU OF BRIDGES

ABUTMENT DETAILS
BRIDGE NO. LAK-2-0543
RELOC. S.R. 2 UNDER LOST NATION RD.
LAKE COUNTY STA. 184 + 69.00

DESIGNED	DRAWN	TRACED	CHECKED	REVISED	DATE	REVISED
DRT	DRT					