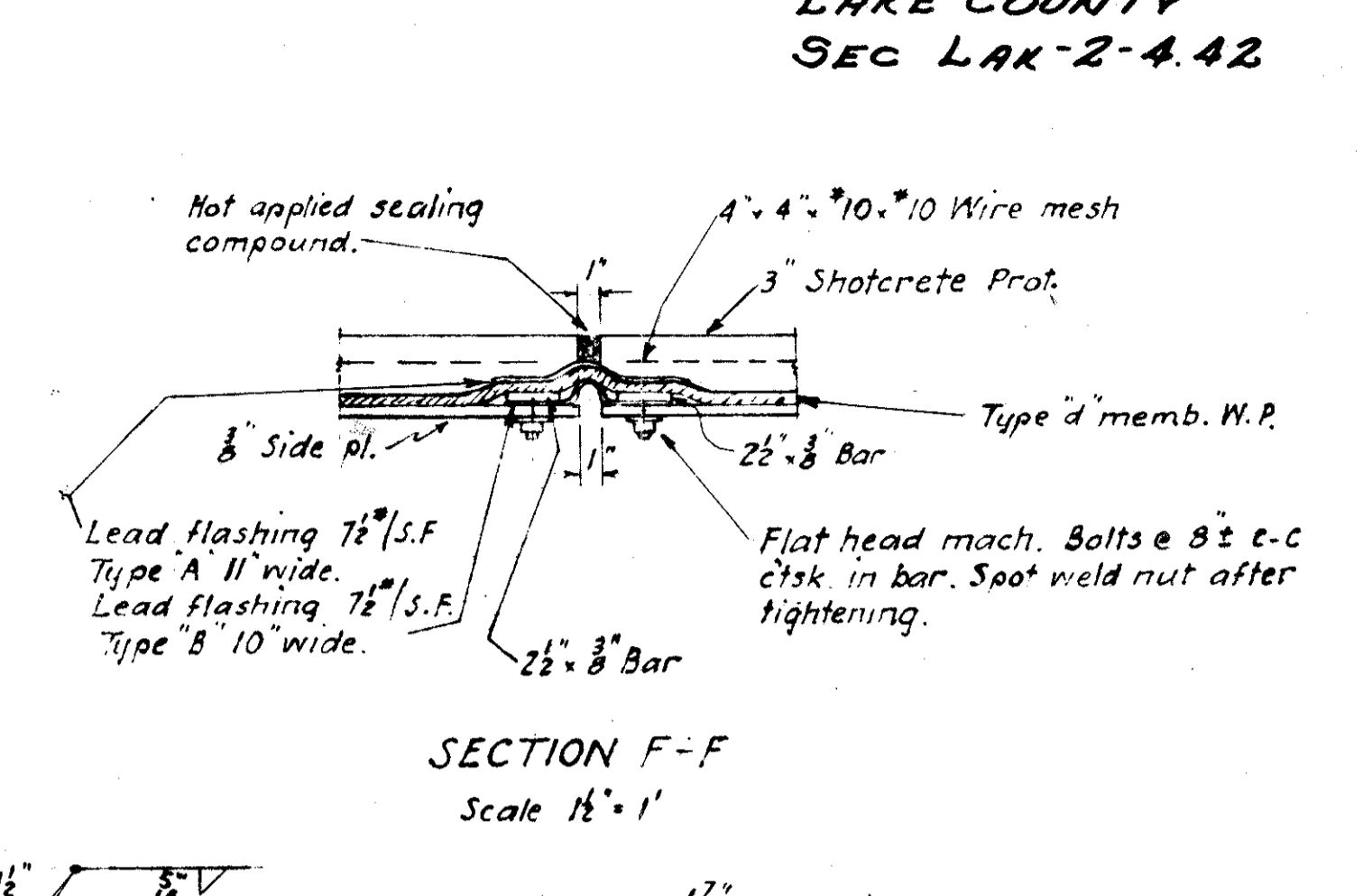
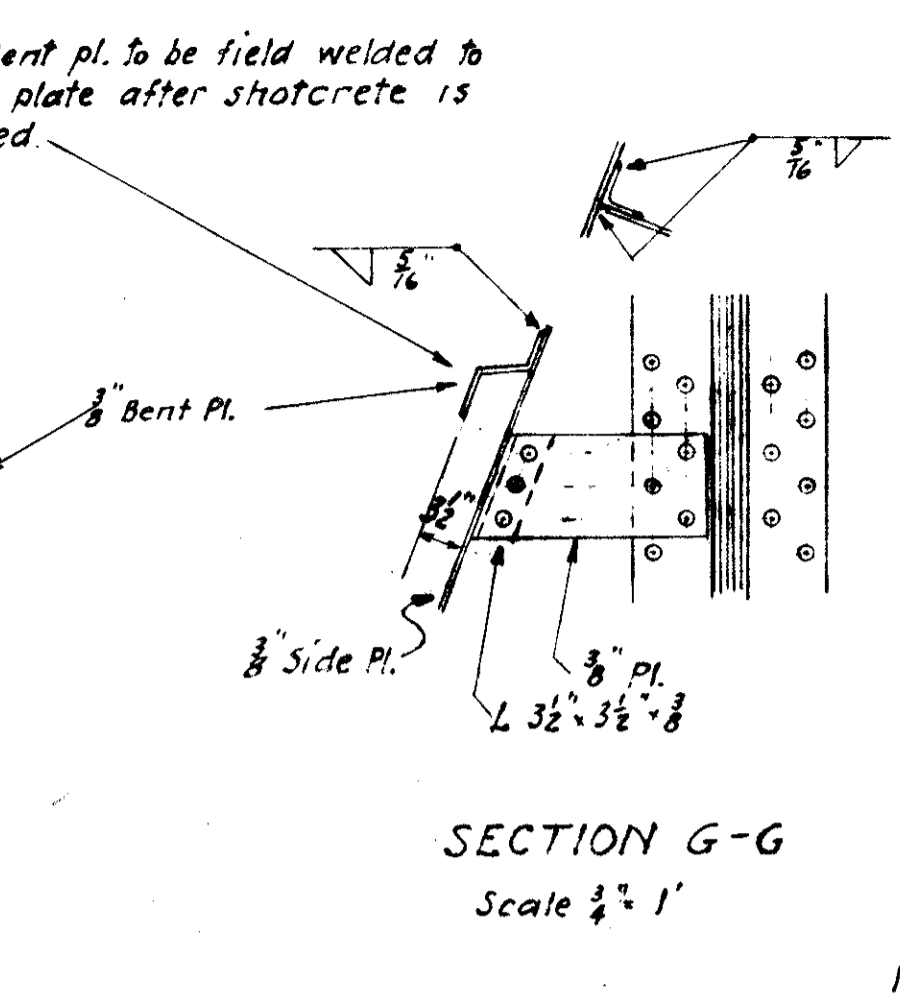
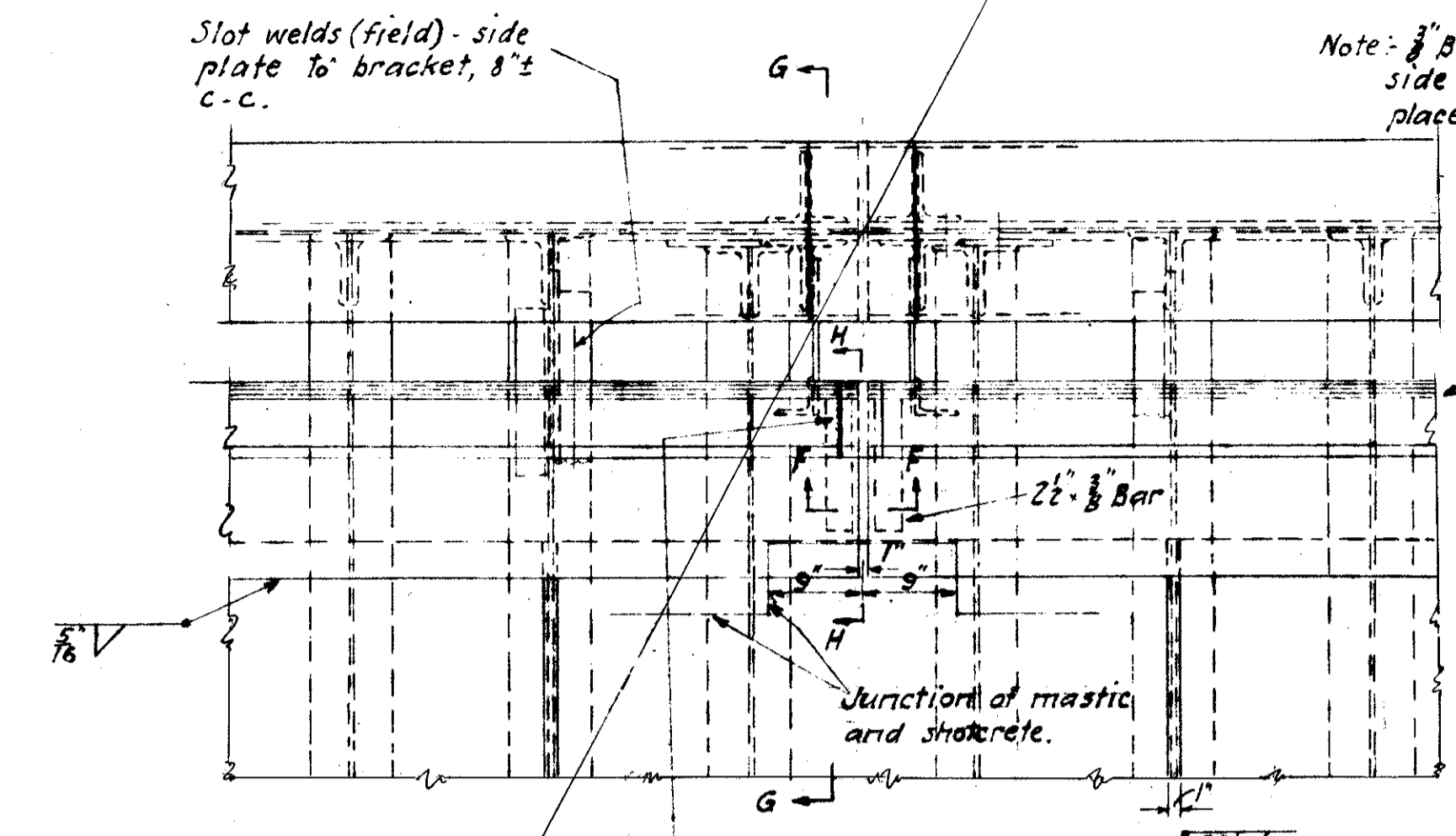
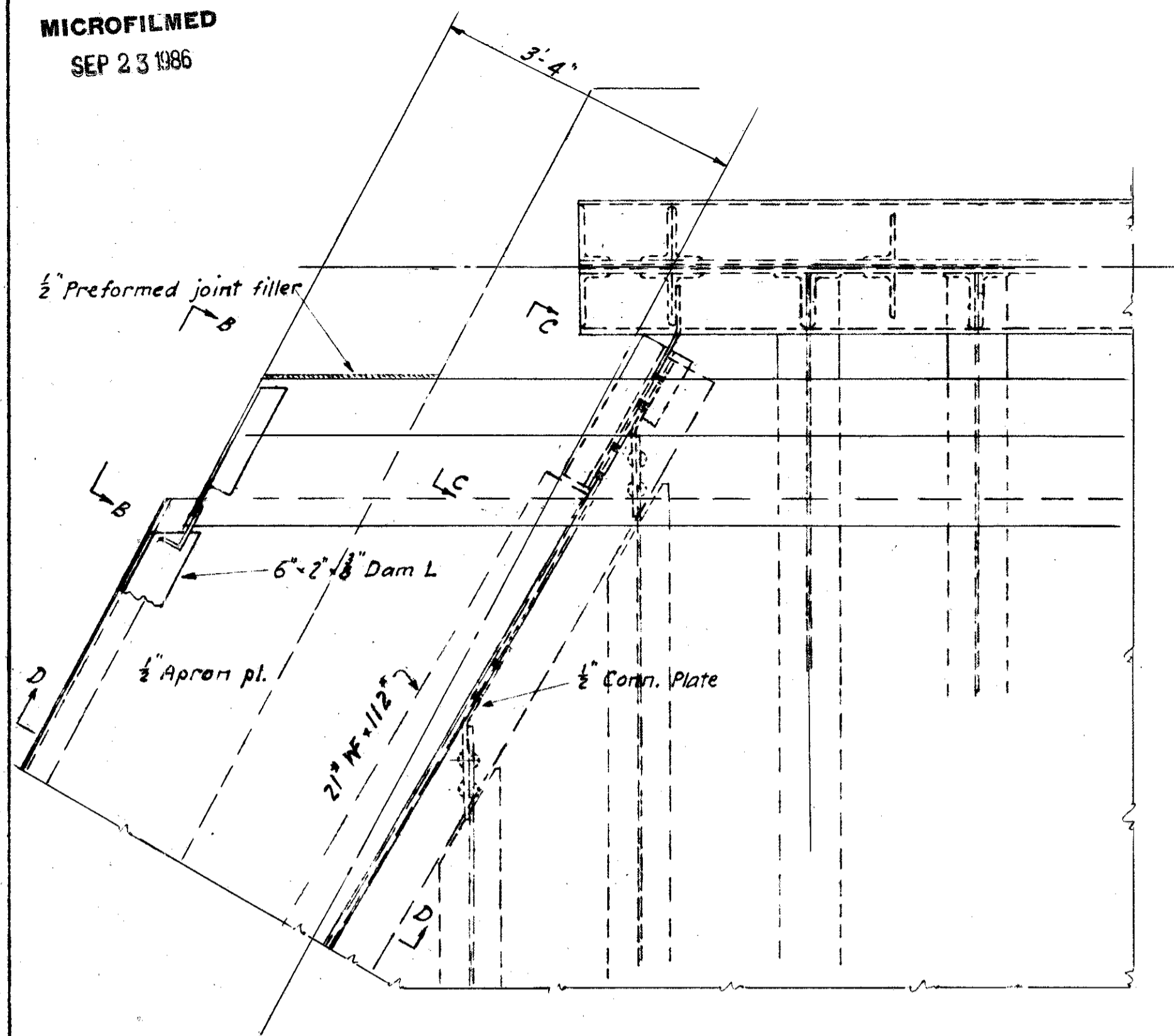
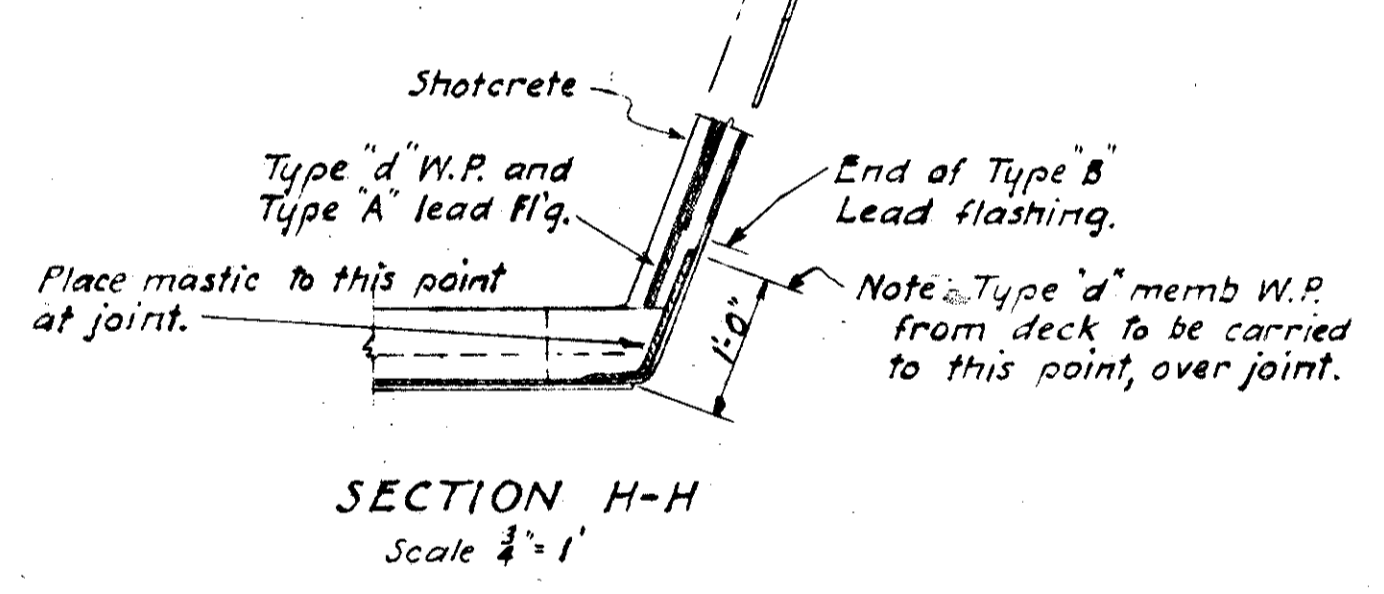
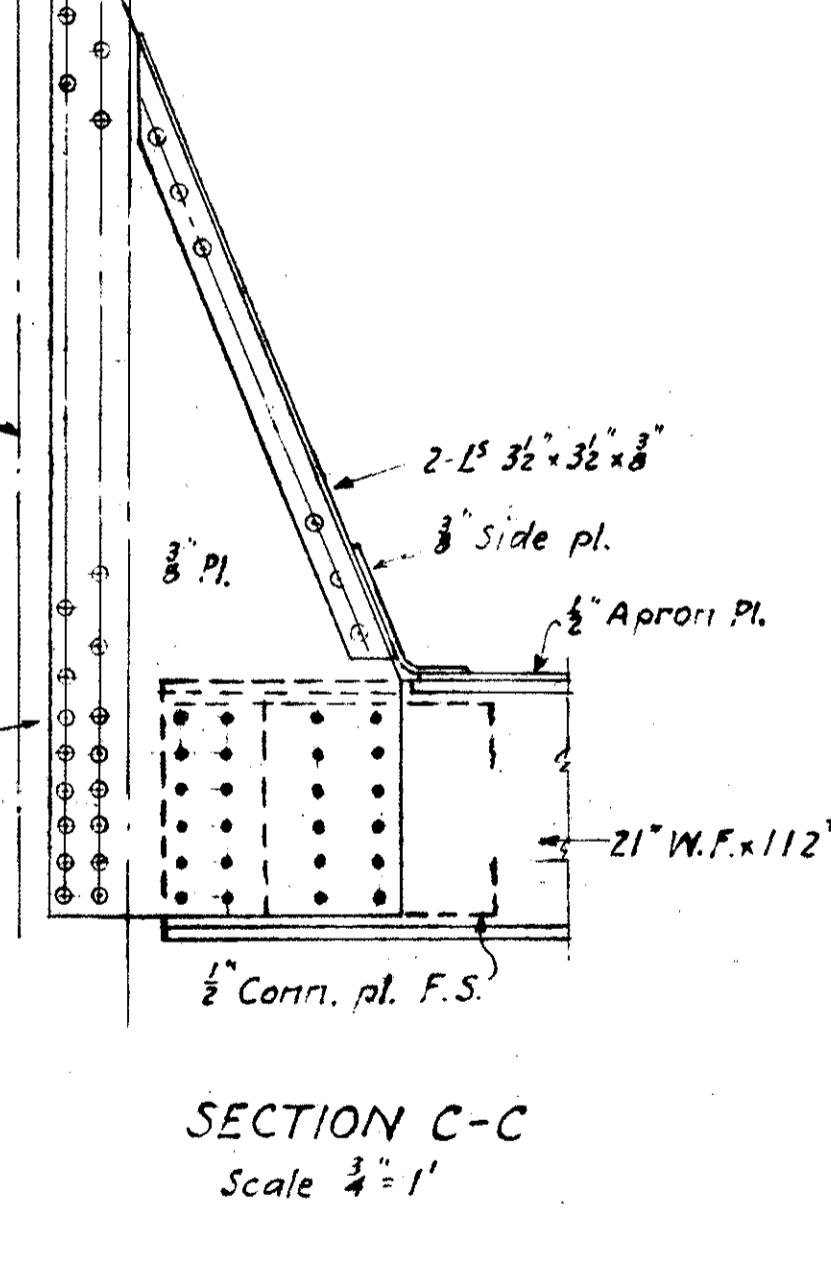
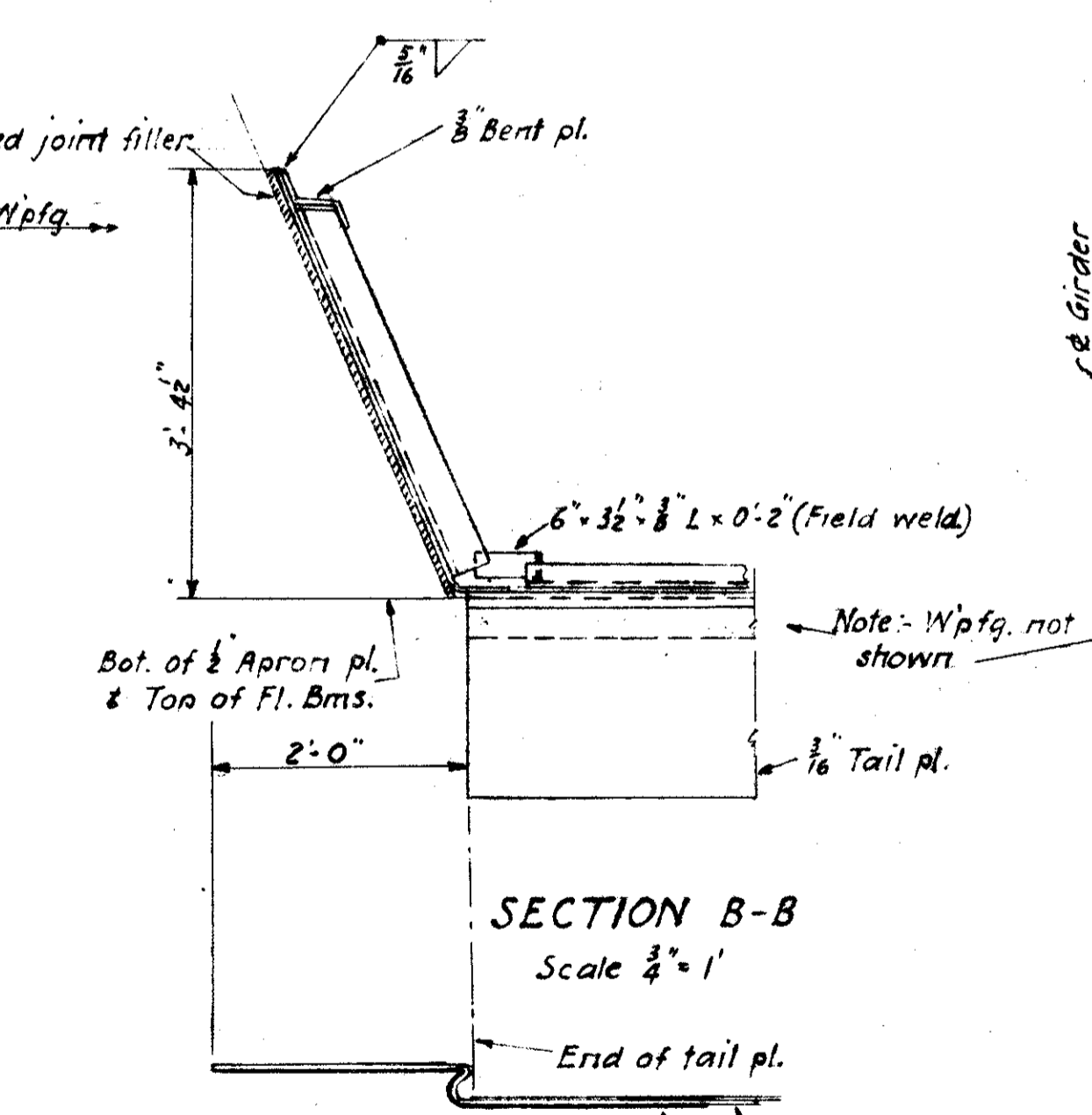
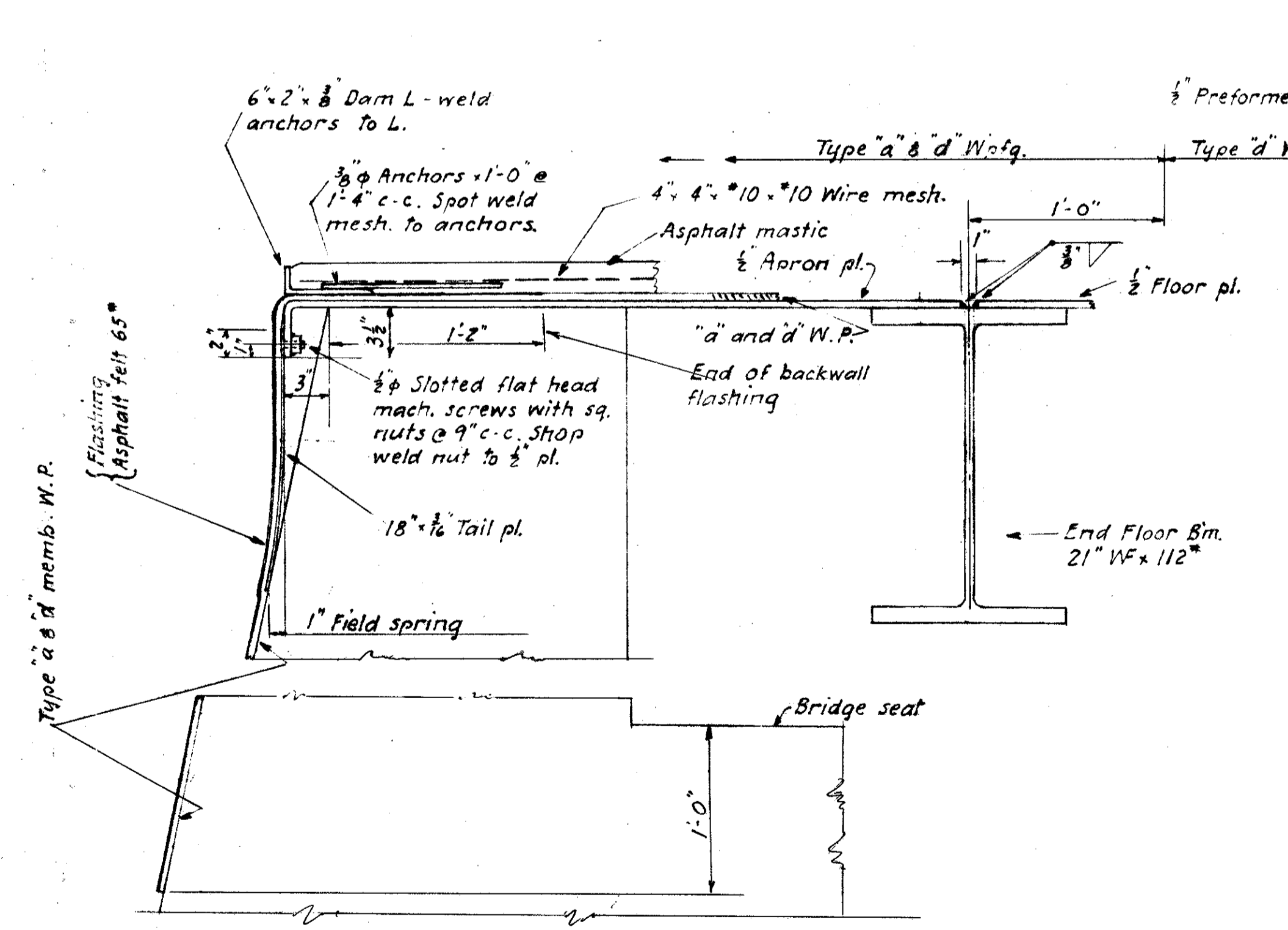


LAKE COUNTY
SEC LAK-2-4.42



BRIDGE FLOOR DETAILS -- Typical.
Scale 1/4" = 1' (Wpfg. & Protection not shown.)



Note: Fold wipfg. and felt as shown.

Correct
John E. Buhl
Engineer of Structures
Approved
G. E. Spindler
Chief Engineer

Highway Bridge No. LAK-2-0453

N.Y.C. SYSTEM	OFFICE OF CHIEF ENGINEER	NEW YORK, N.Y.
BRIDGE # 56 1/2 - C.E.I. Co. SPUR		
GRADE SEPARATION		
LAKELAND EXPRESSWAY (S.R.2)		
WILLOUGHBY, OHIO.		
SUPERSTRUCTURE DETAILS		
Western District	Lake Division	Sheet #3 of 11
Scale: as shown	Dec 22 1956	Val. Sec. 203 File No. 93143

Drawn ACR.		Checked R.C.	
REVISIONS			
Date	By	Description	

