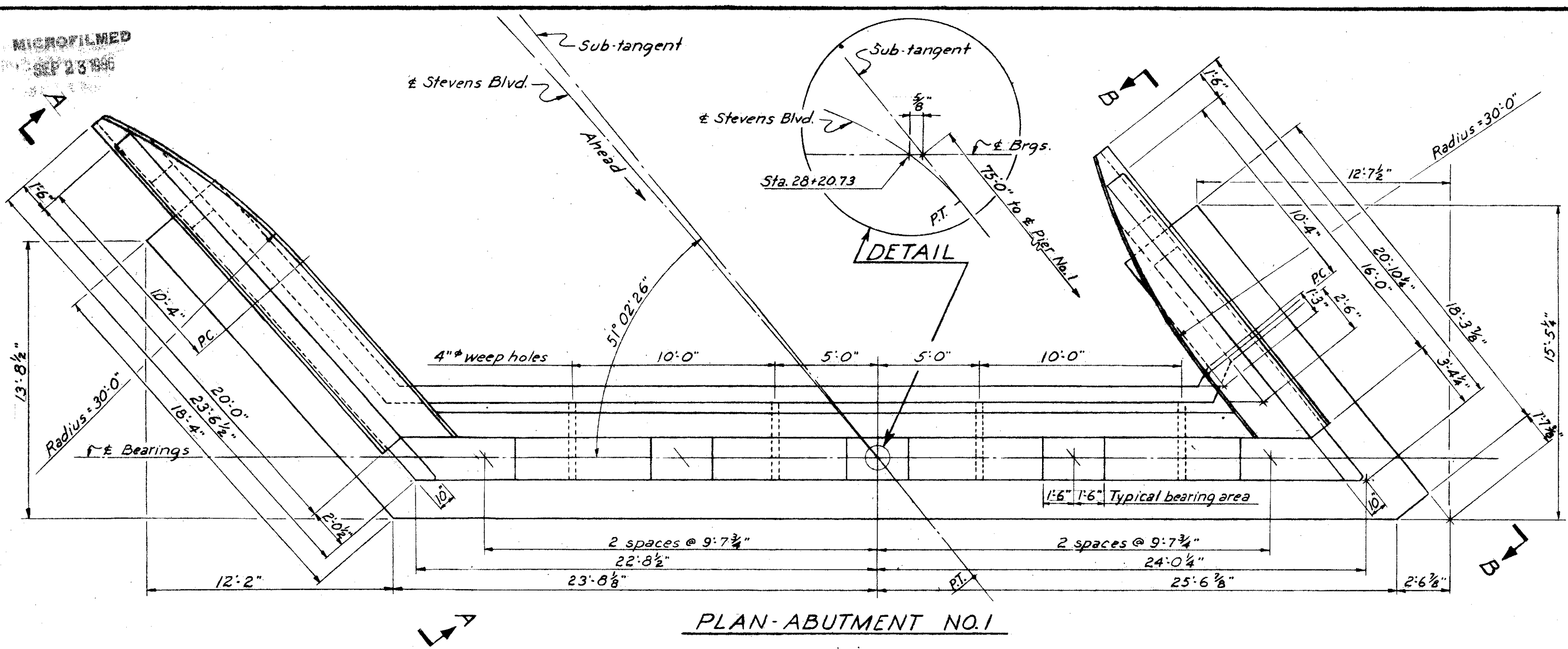


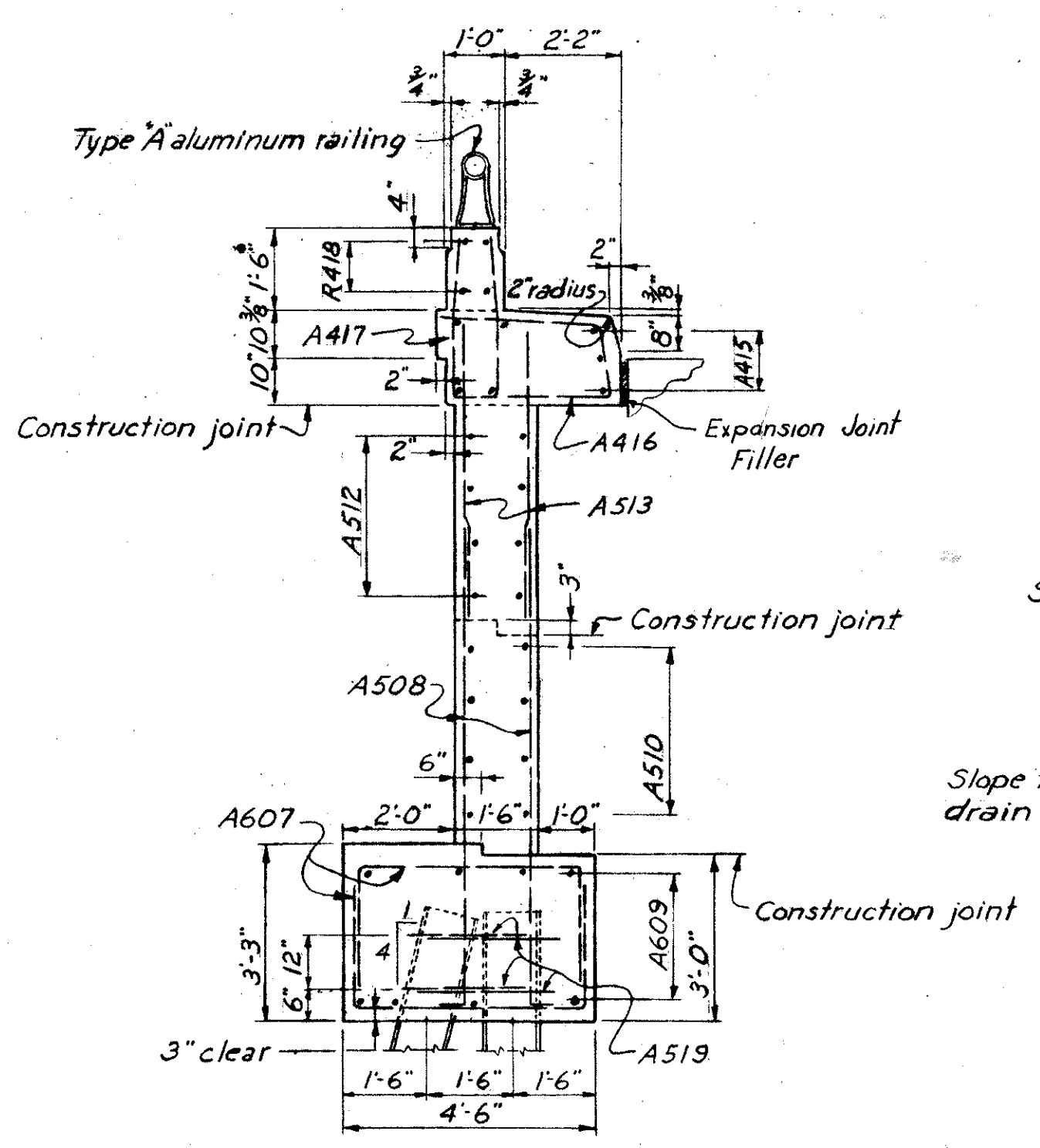
MICROFILMED
SEP 23 1996

FED. RD. DIVISION	STATE	PROJECT	234
2	OHIO	F-U-329 (15)	297

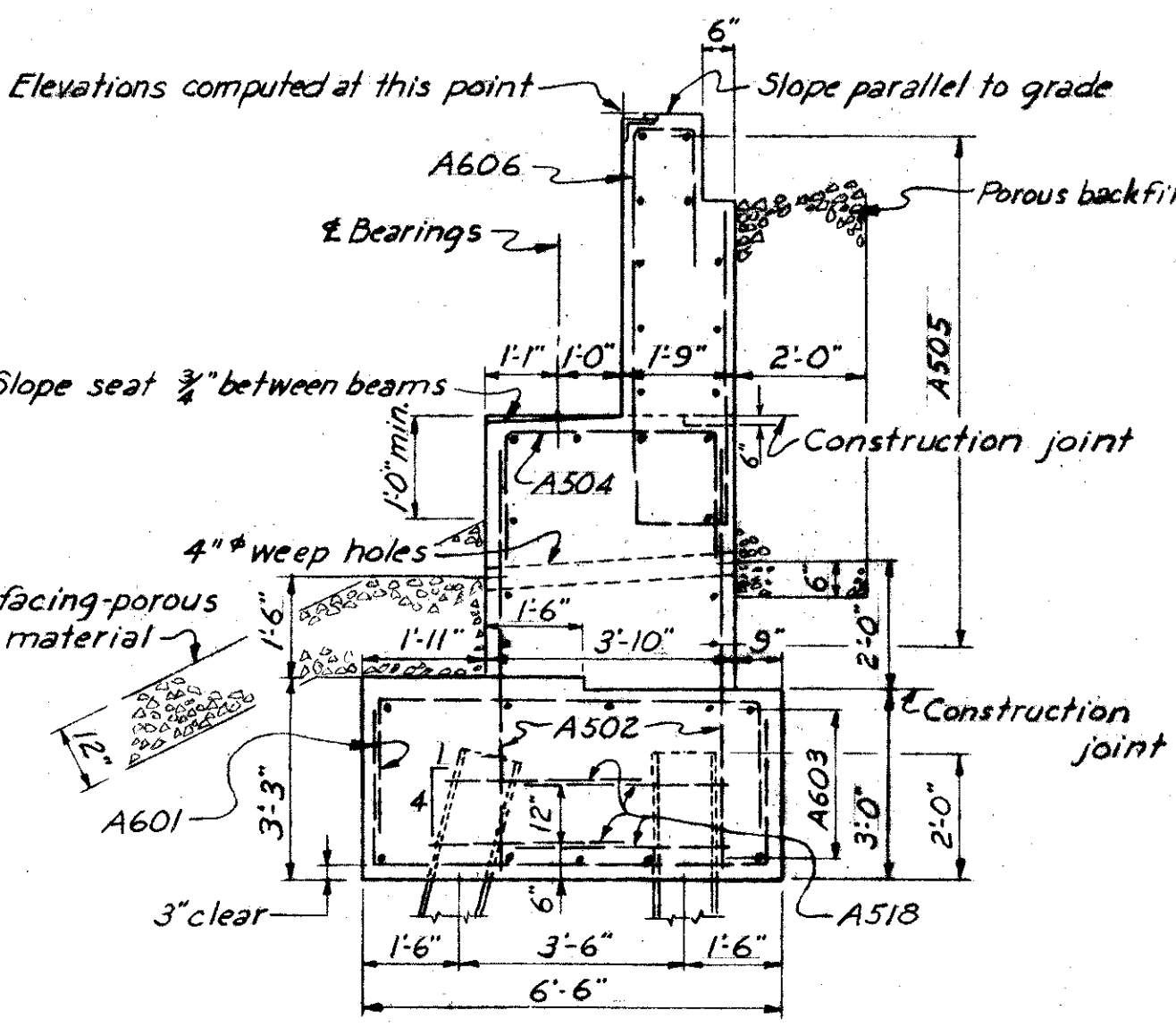
LAKE COUNTY
SEC. LAK-2-4.42



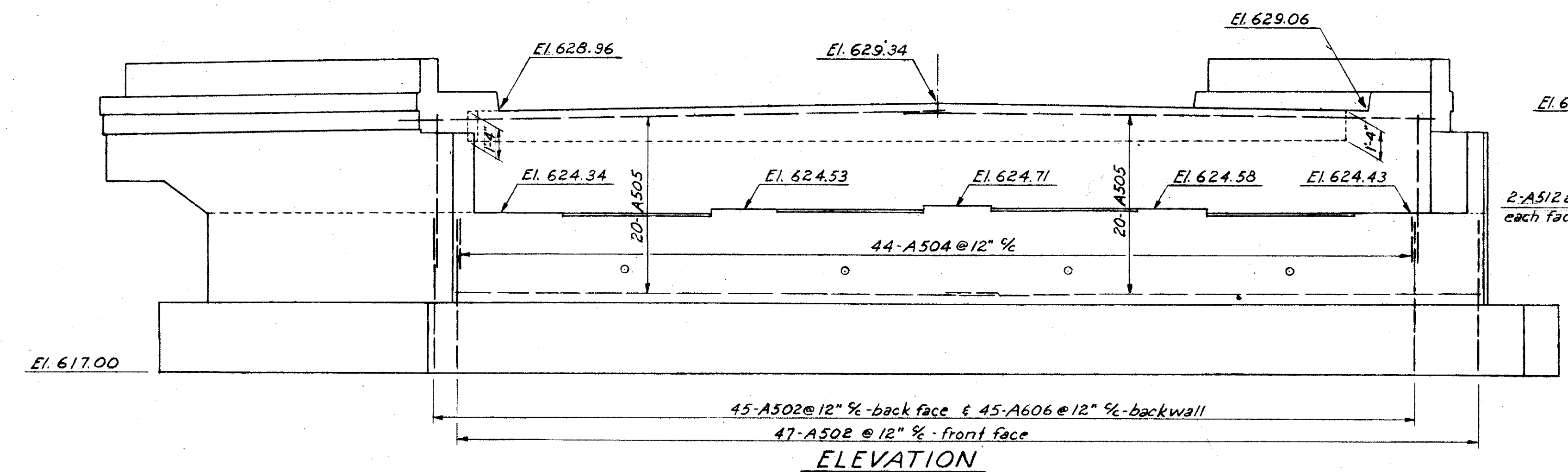
PLAN-ABUTMENT NO.1



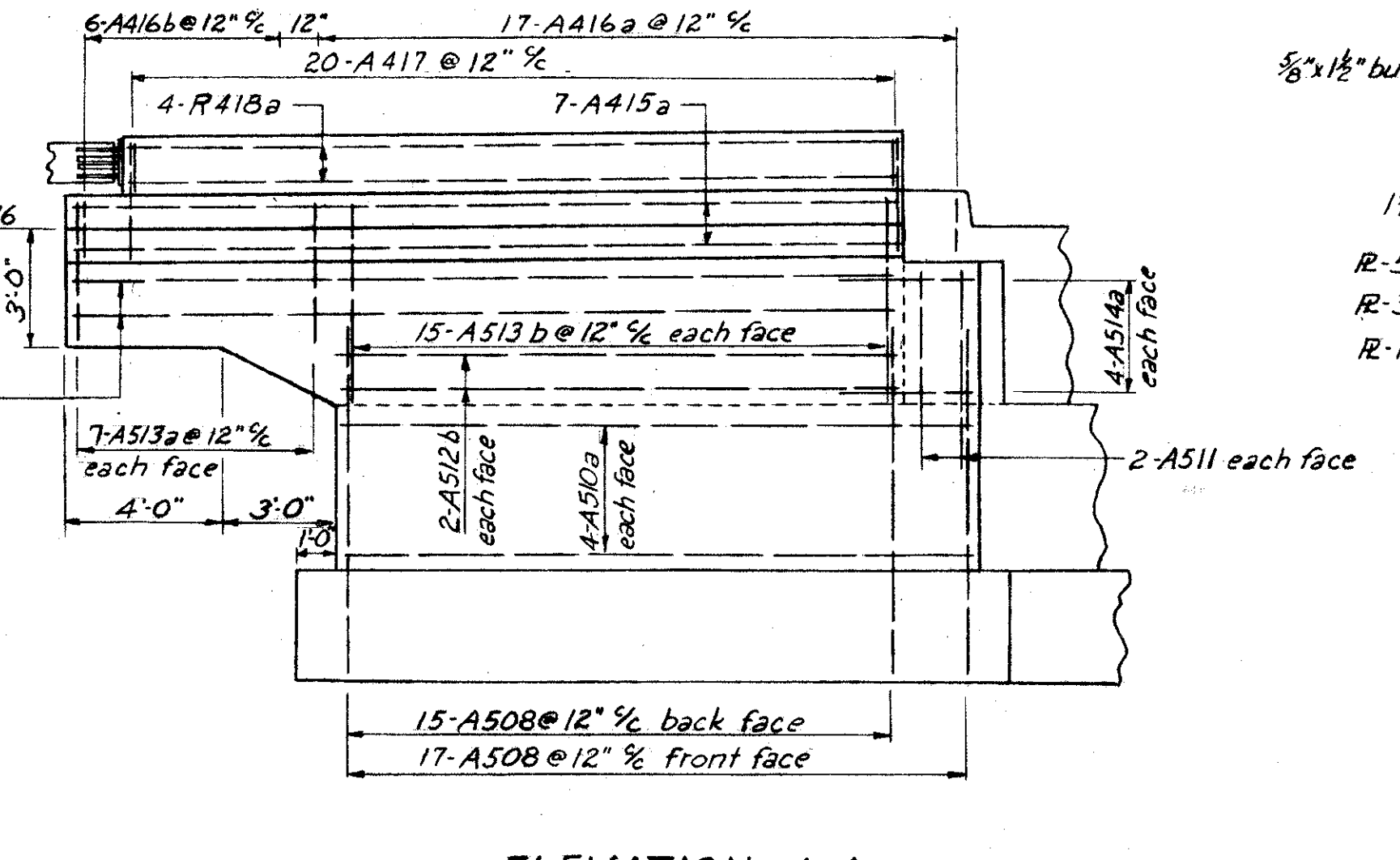
TYPICAL WING SECTION



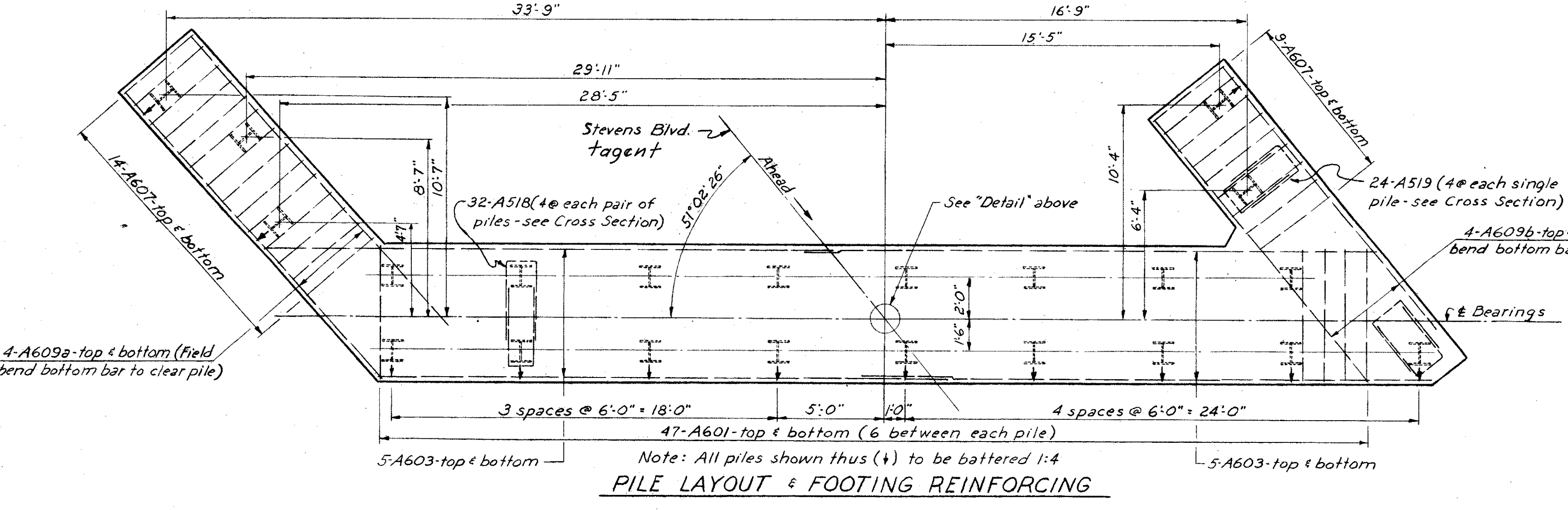
TYPICAL ABUTMENT SECTION



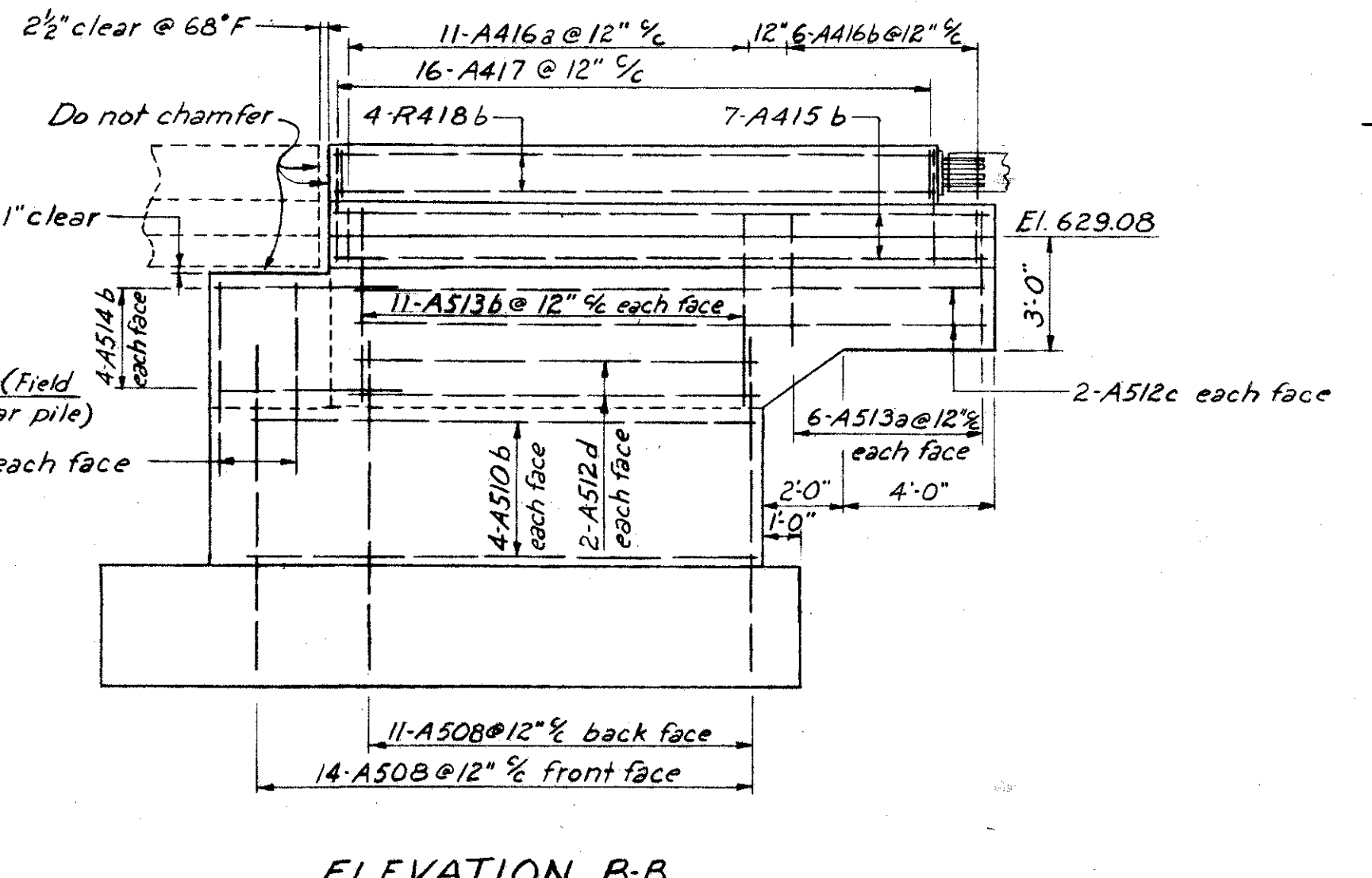
ELEVATION



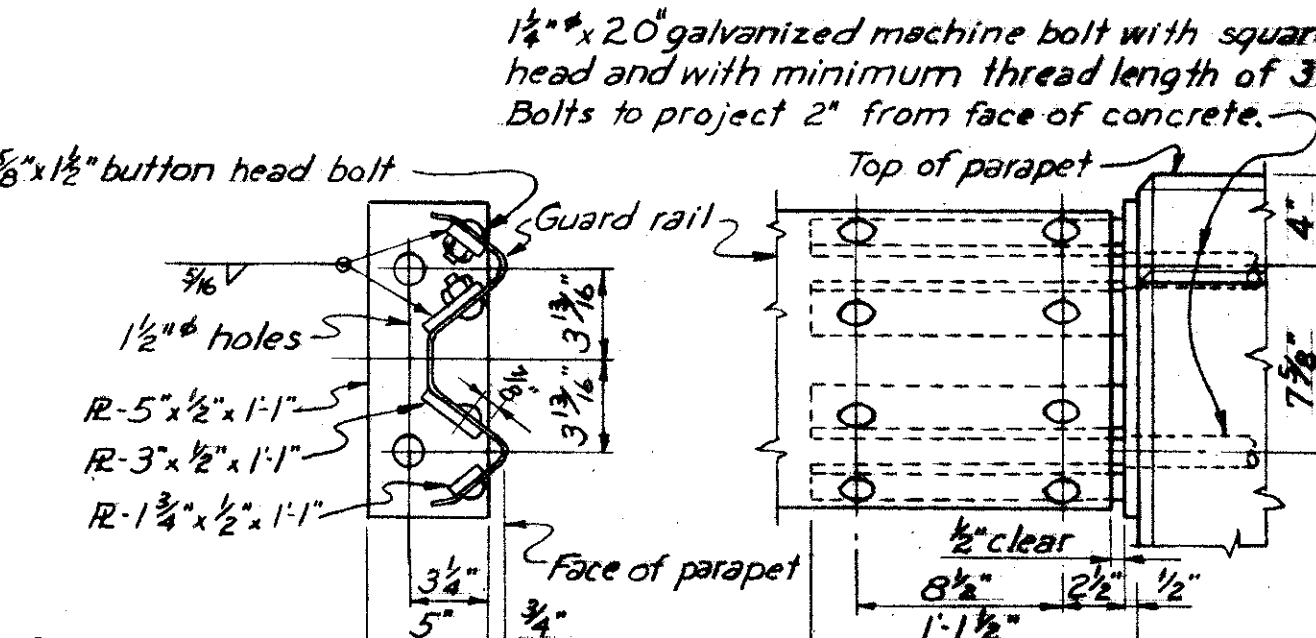
ELEVATION A-A



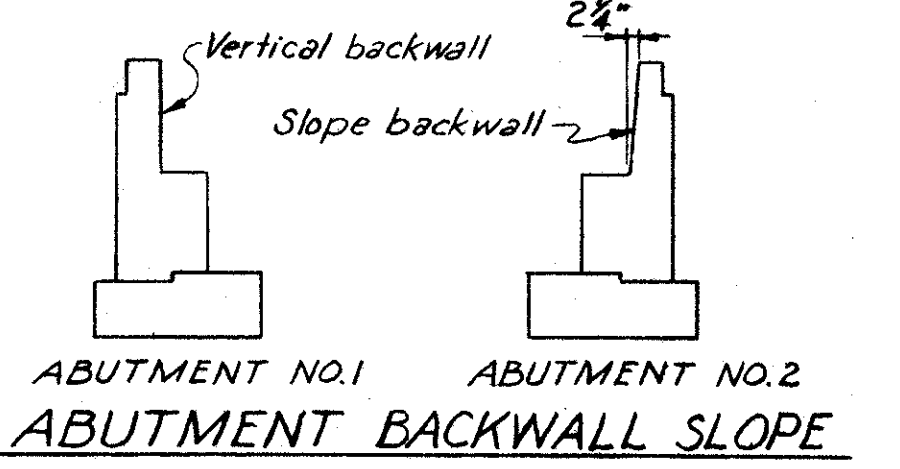
PILE LAYOUT & FOOTING REINFORCING



ELEVATION B-B



NOTE: Guard rail end connection assembly shall be galvanized after welding.
GUARD RAIL DETAIL
(Included with Item 5-14 for payment)



ABUTMENT NO.1 ABUTMENT NO.2
ABUTMENT BACKWALL SLOPE

PREPARED BY
CAPITOL ENGINEERING ASSOCIATES, DILLSBURG, PA.
FOR
STATE OF OHIO
DEPARTMENT OF HIGHWAYS
DIVISION OF DESIGN AND CONSTRUCTION
BUREAU OF BRIDGES
ABUTMENT NO. 1
BRIDGE NO. LAK-2-0447
S.R.2 UNDER STEVENS BLVD.
LAKE COUNTY
STA. 135 + 96.97

DESIGNED	DRAWN	TRACED	CHECKED	REVISED DATE	REVISED
JJM	JJM				