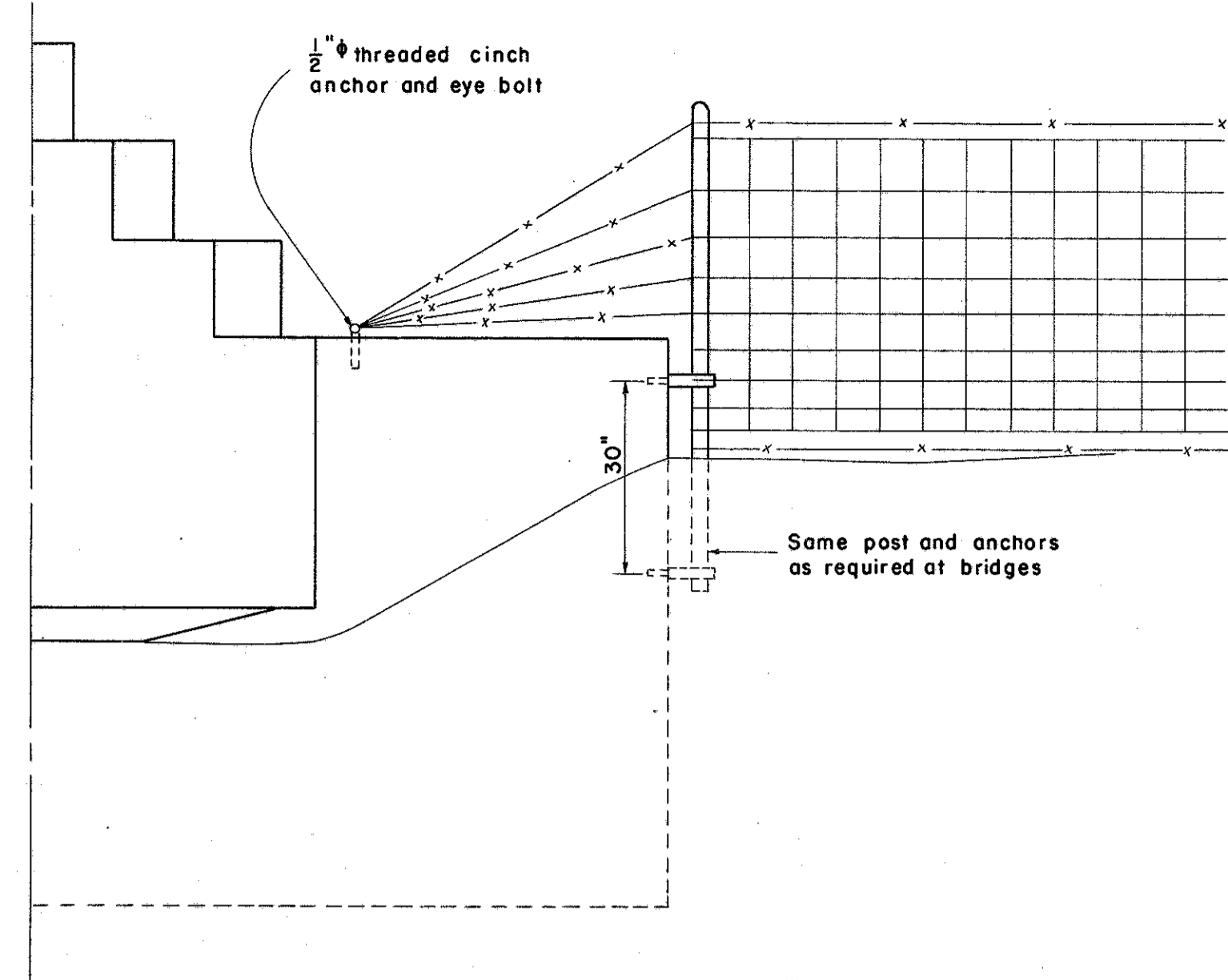


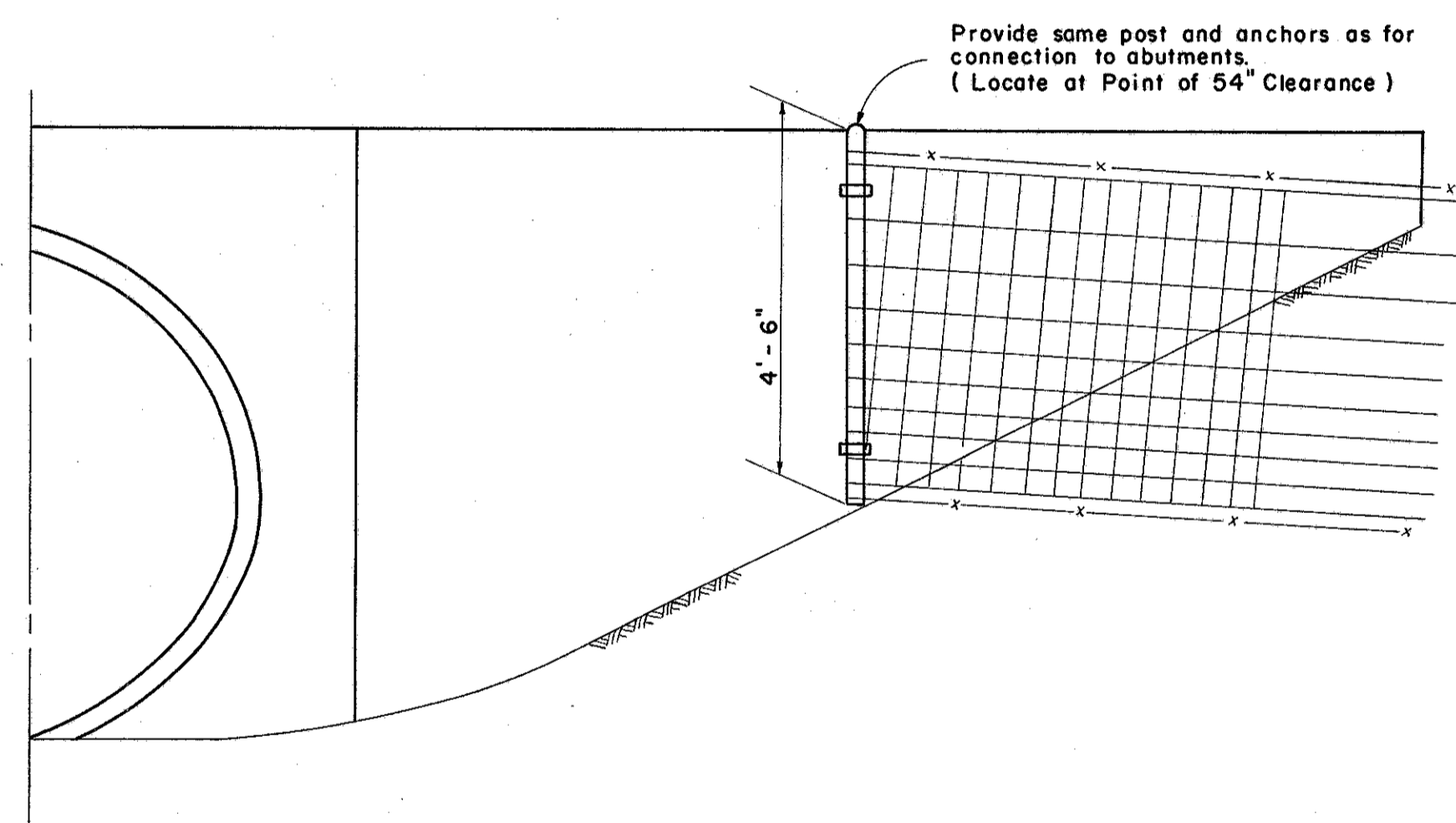
FED. RD. DIVISION	STATE	PROJECT	
2	OHIO	F-U-329 (15)	

229
297

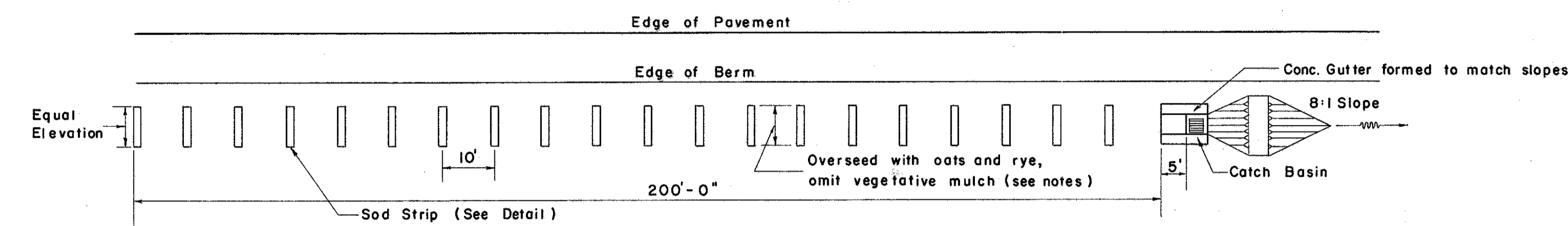
LAKE COUNTY
LAK-2-442



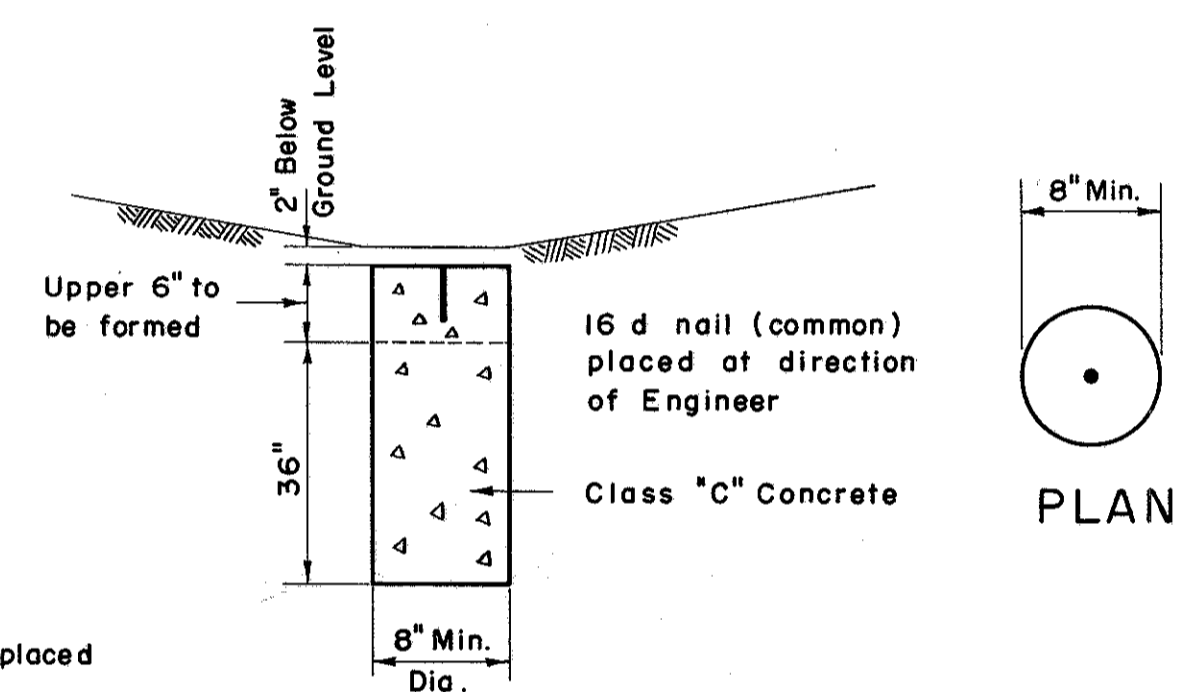
FENCE ARRANGEMENT
AT BOX CULVERT ENDS



FENCE ARRANGEMENT
AT PIPE CULVERT ENDS

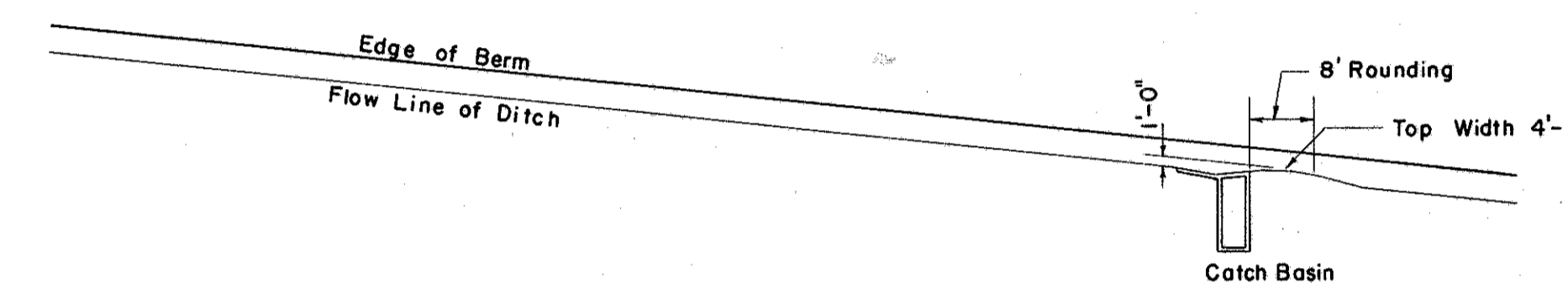


PLAN OF ROADSIDE DITCH
GRADING AT CATCH BASIN

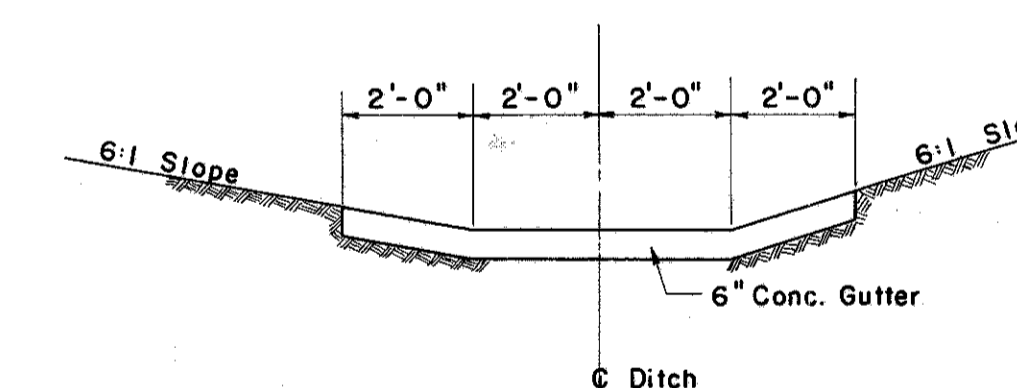


SECTION
DETAIL OF CENTERLINE REFERENCE MONUMENTS

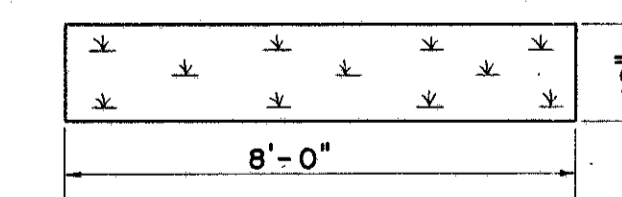
Note:
Monuments to be placed
by Contractor.



PROFILE OF ROADSIDE DITCH
GRADING AT CATCH BASIN



UPSTREAM END VIEW
OF CONCRETE GUTTER



SOD DETAIL

MODIFIED STANDARD NO 5 CATCH BASIN
SHOWING MODIFICATION OF PAVED GUTTER

NOTE:
Unless otherwise shown, Details and
Notes shall conform to Standard Drawing
No. I-8 Catch Basin No. 5