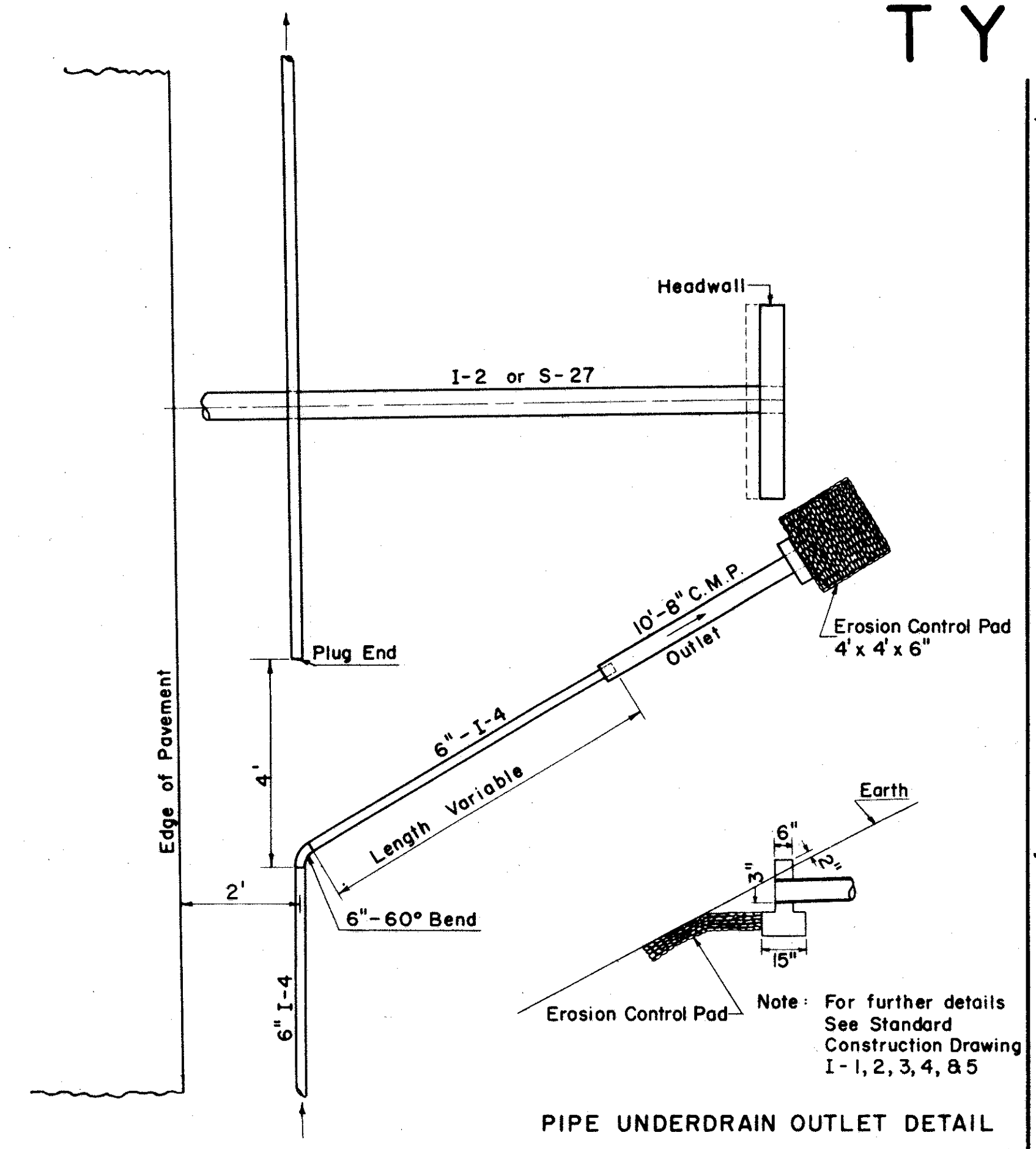


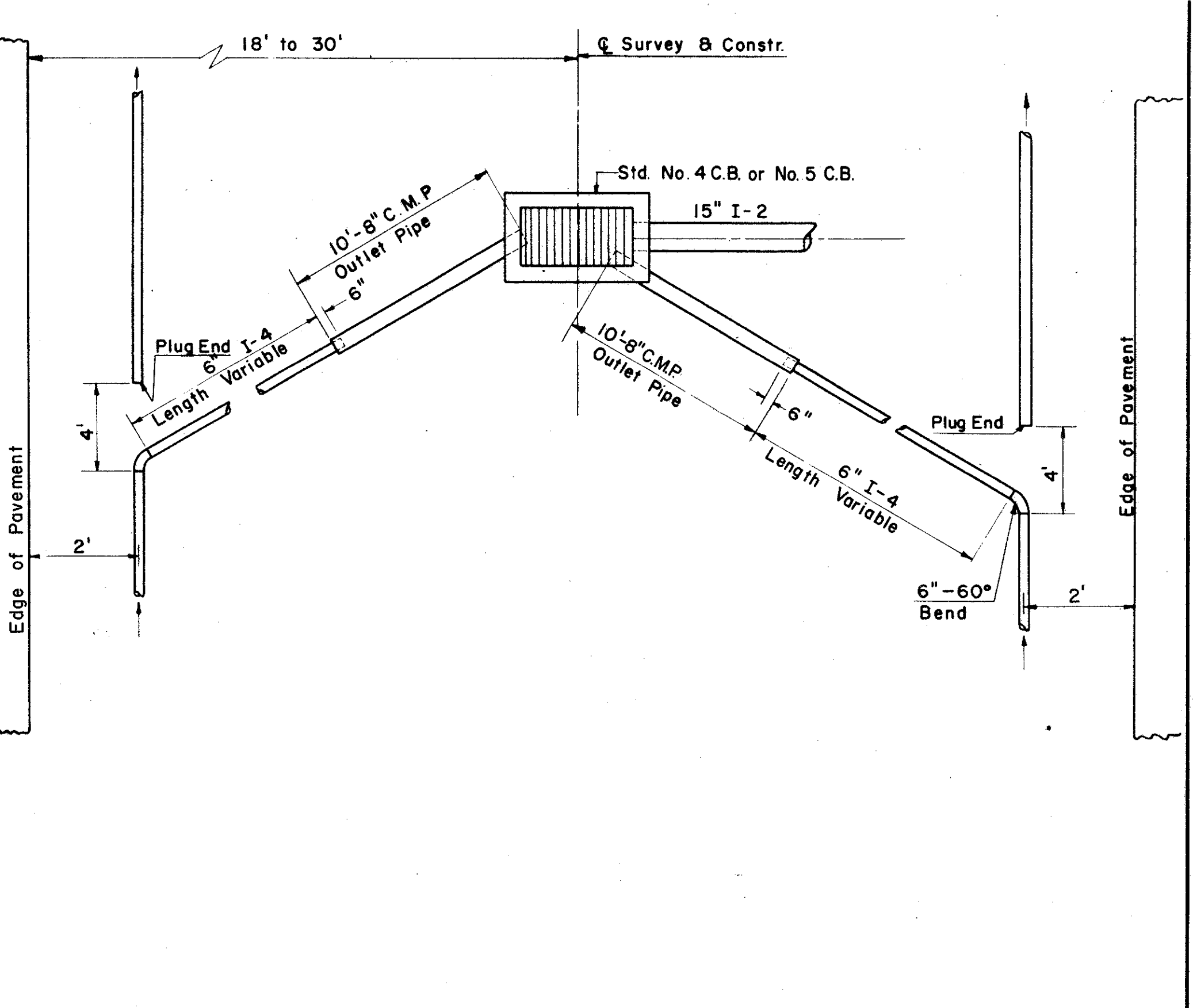
# TYPICAL DETAILS I-4 & I-2

FED. RD. DIVISION	STATE	PROJECT	228 297
2	OHIO	F-U-329 (15)	

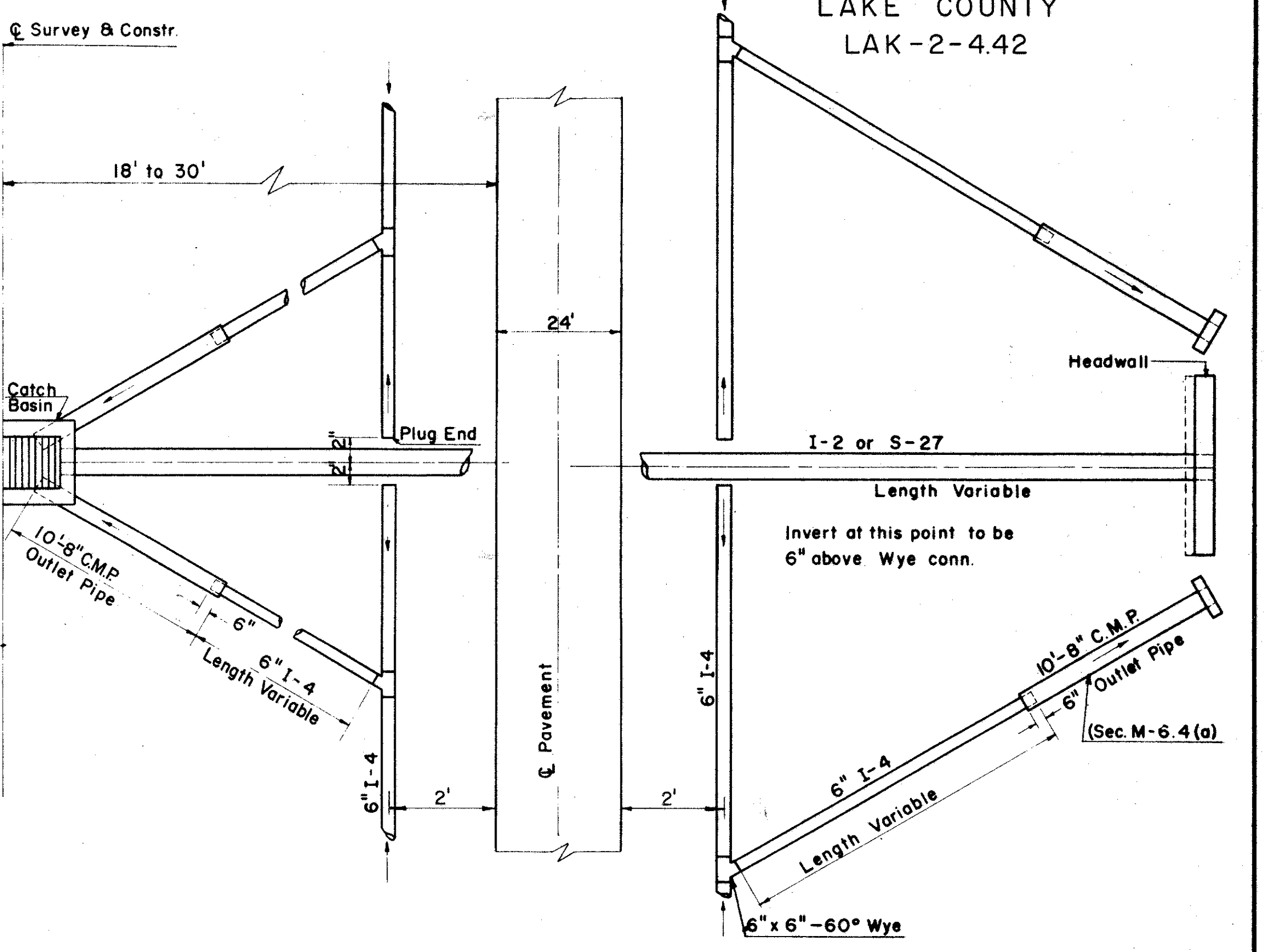
LAKE COUNTY  
LAK-2-4.42



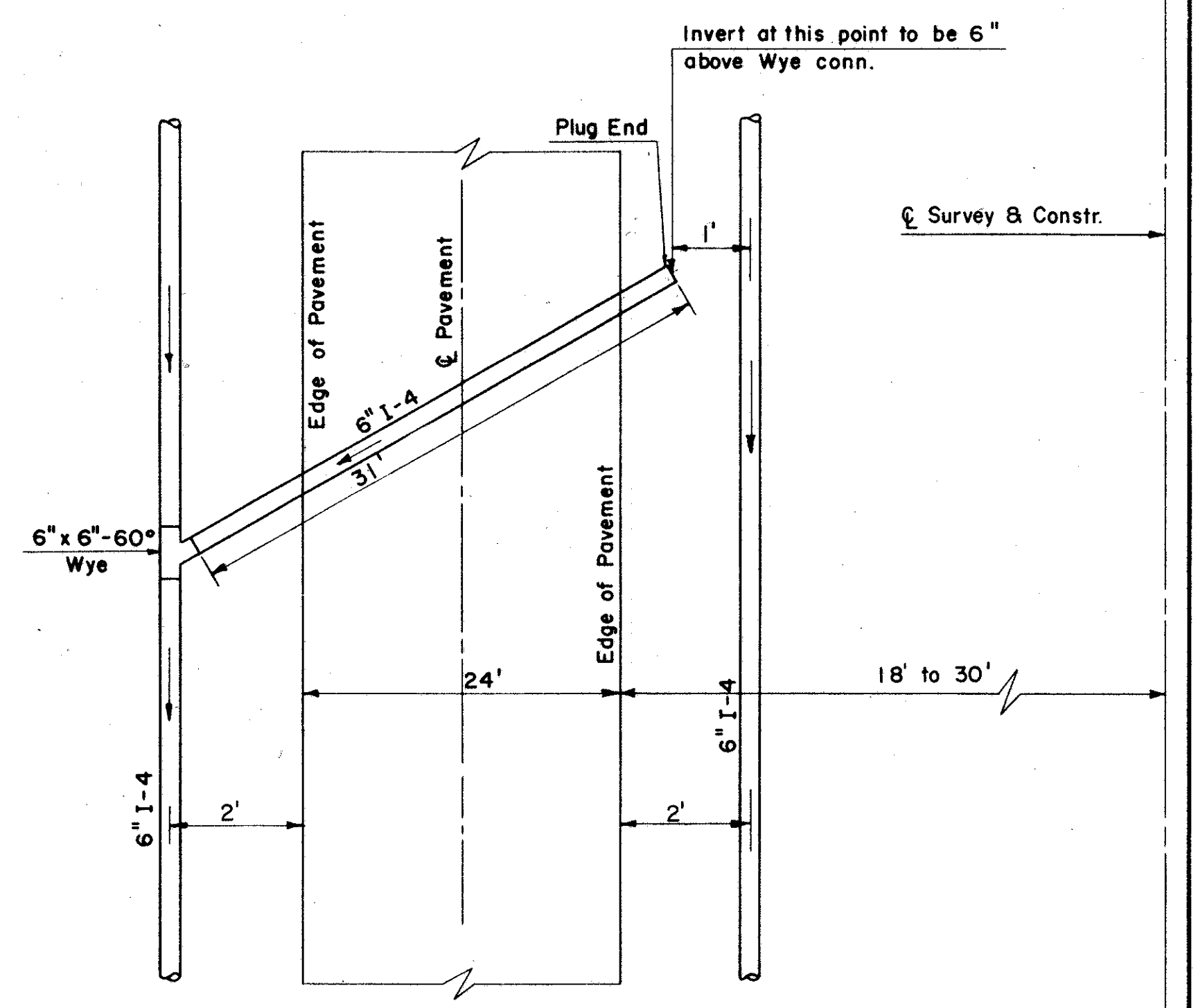
UNDERDRAIN OUTLET DETAIL A



UNDERDRAIN OUTLET DETAIL B

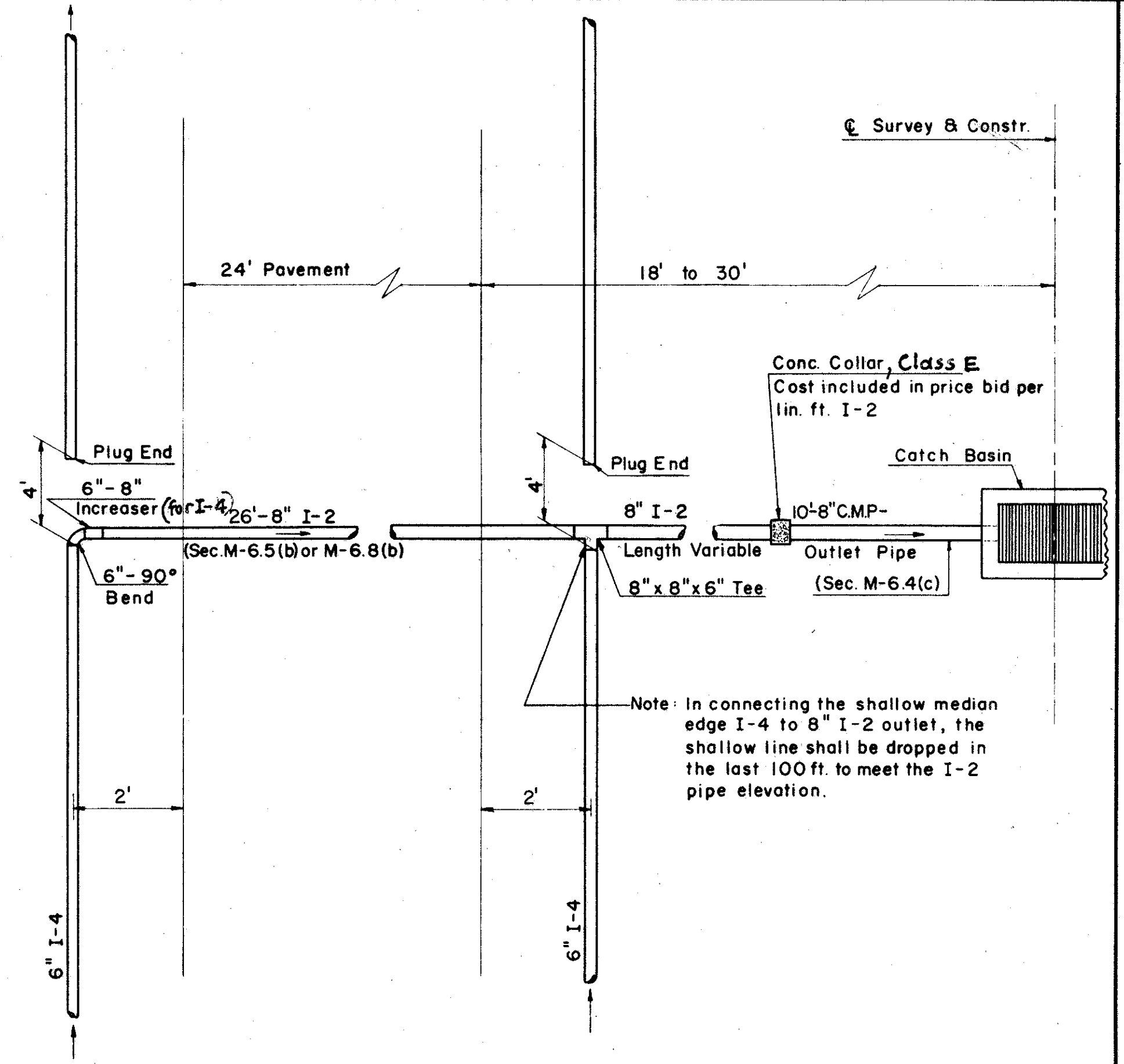


UNDERDRAIN OUTLET DETAIL C

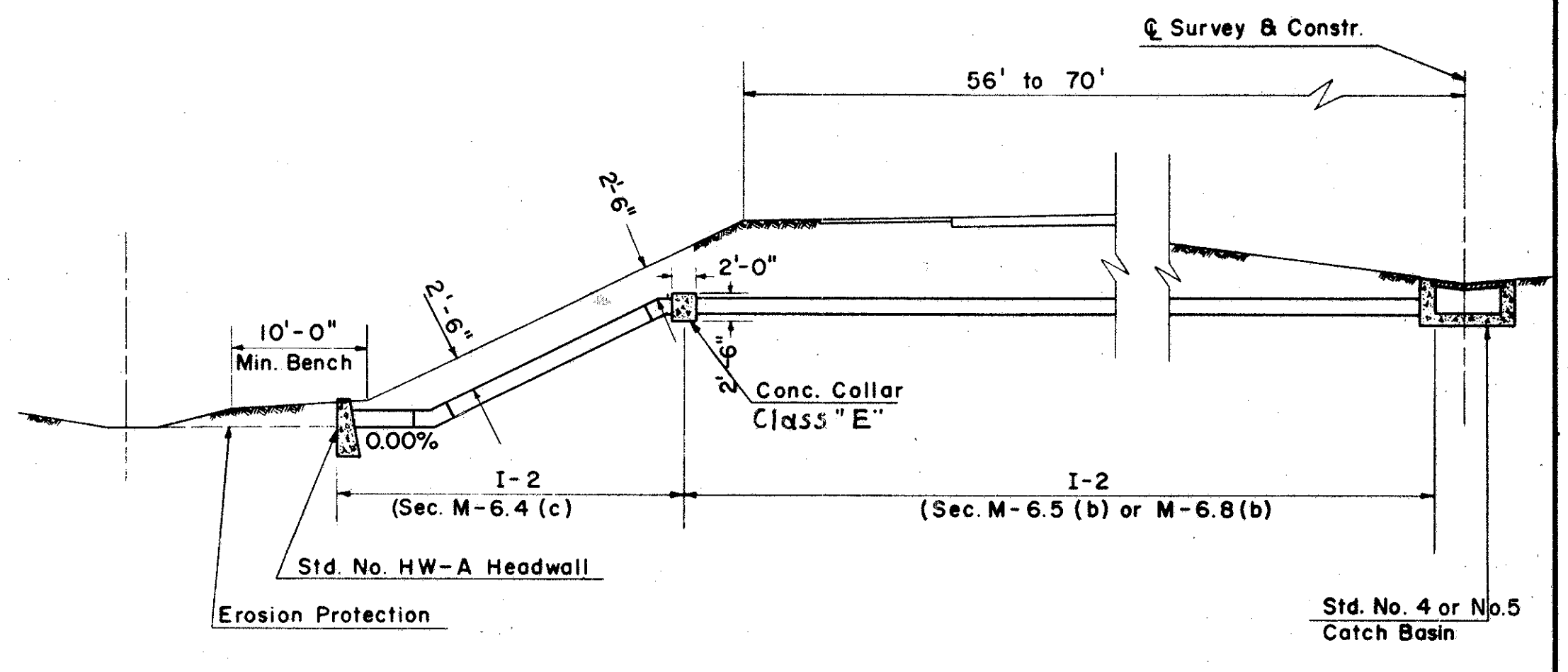


DETAIL I-4 CROSSOVER

CUT TO FILL SECTION



UNDERDRAIN OUTLET DETAIL E



MEDIAN OUTLET DETAIL IN HIGH FILL