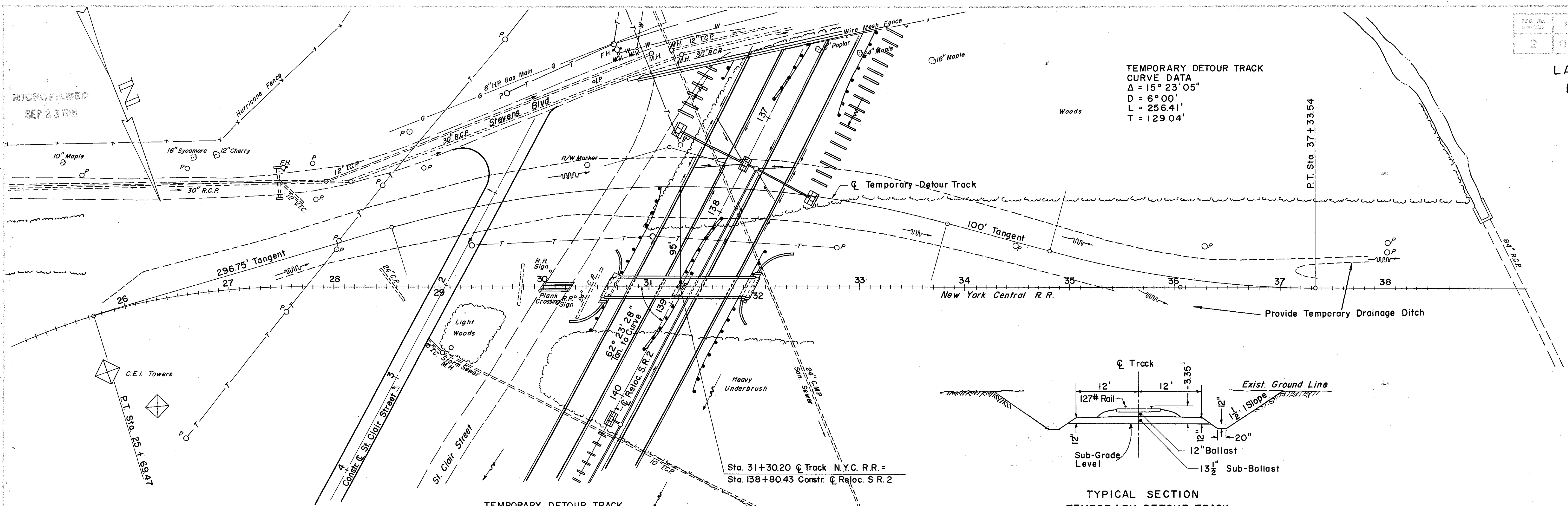
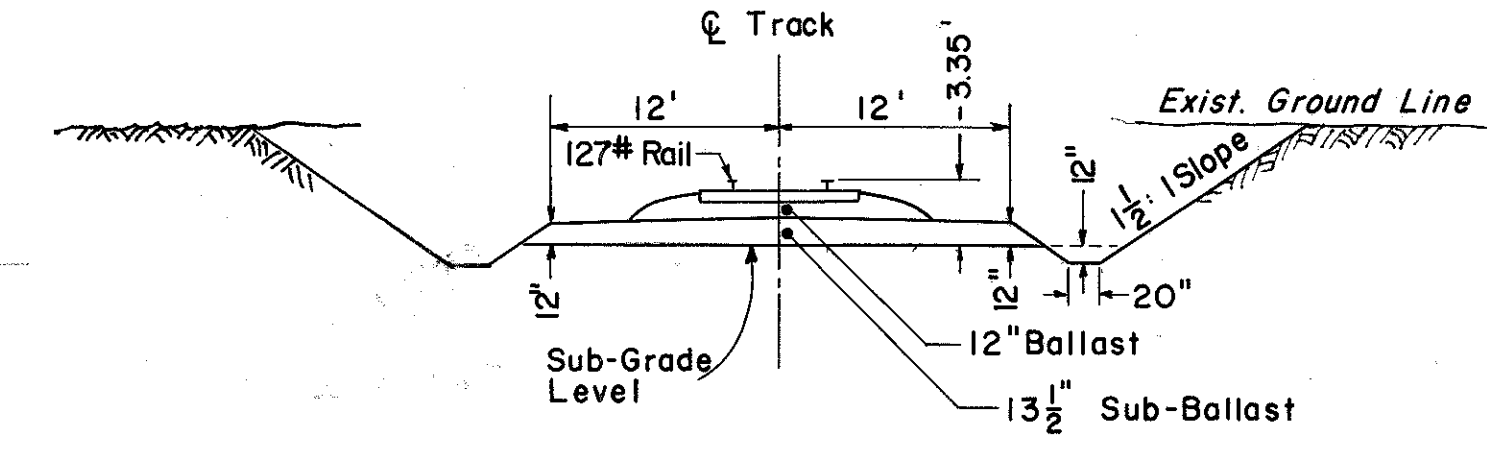


LAKE COUNTY
LAK-2-4.42

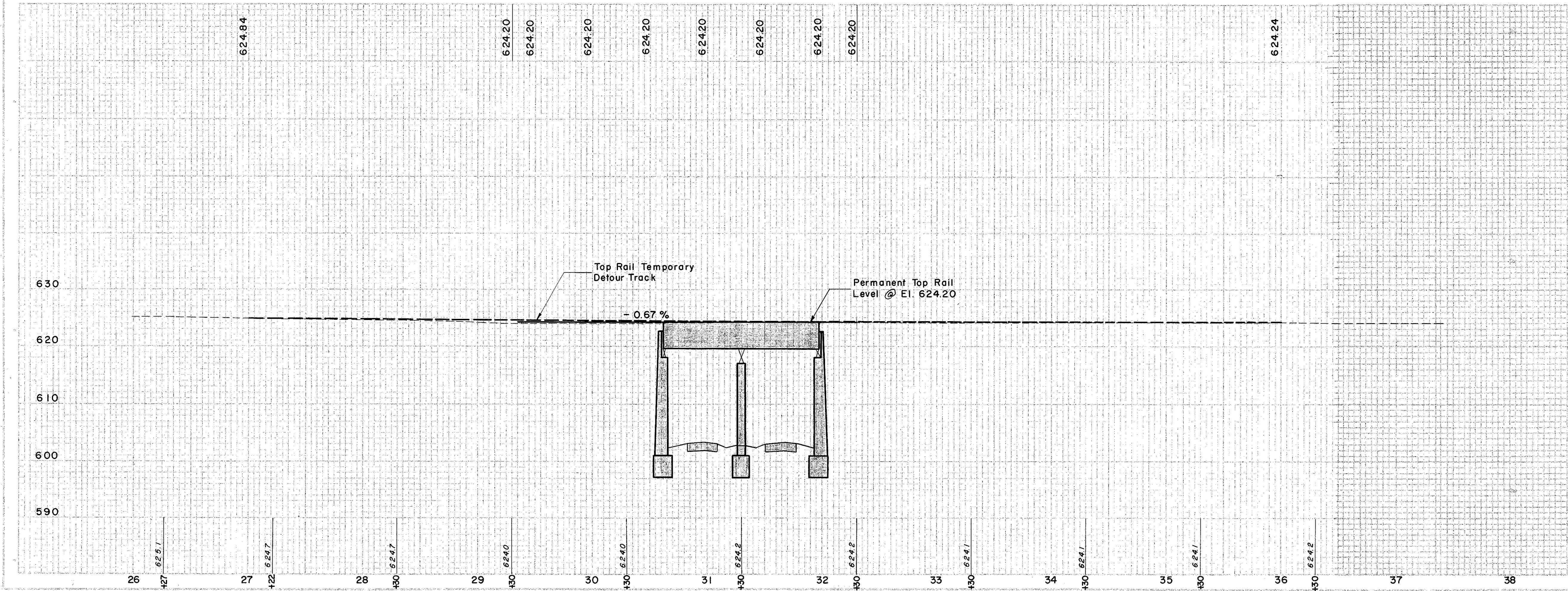


TEMPORARY DETOUR TRACK
CURVE DATA
 $\Delta = 15^\circ 23' 05''$
 $D = 6^\circ 00'$
 $L = 256.41'$
 $T = 129.04'$

TEMPORARY DETOUR TRACK
CURVE DATA
 $\Delta = 32^\circ 02'$
 $D = 6^\circ 00'$
 $L = 533.89'$
 $T = 274.25'$



TYPICAL SECTION
TEMPORARY DETOUR TRACK
Scale: 1"=10'



EXCAVATION 5,352 C.Y.
 EMBANKMENT
 EMBANKMENT