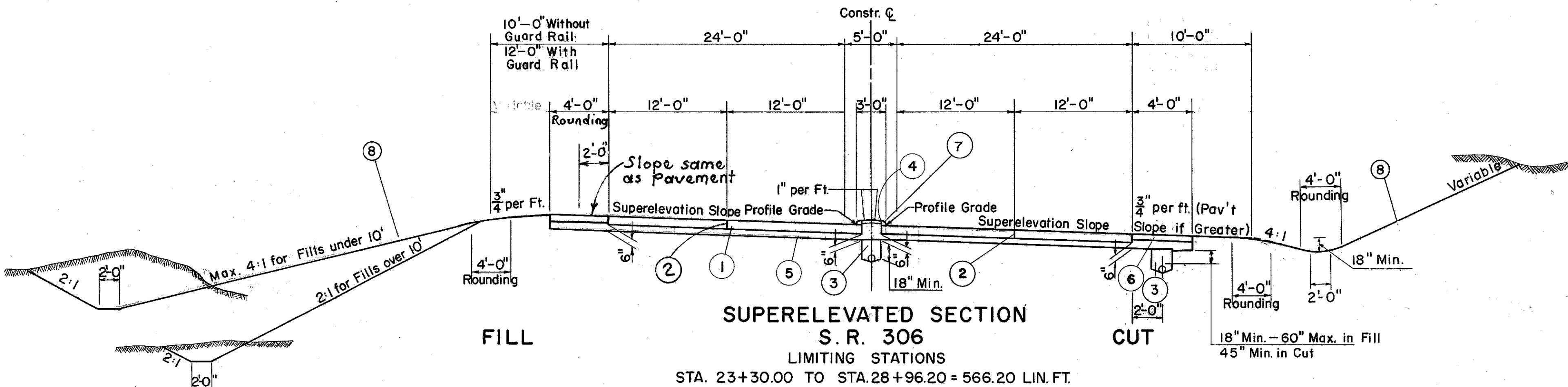
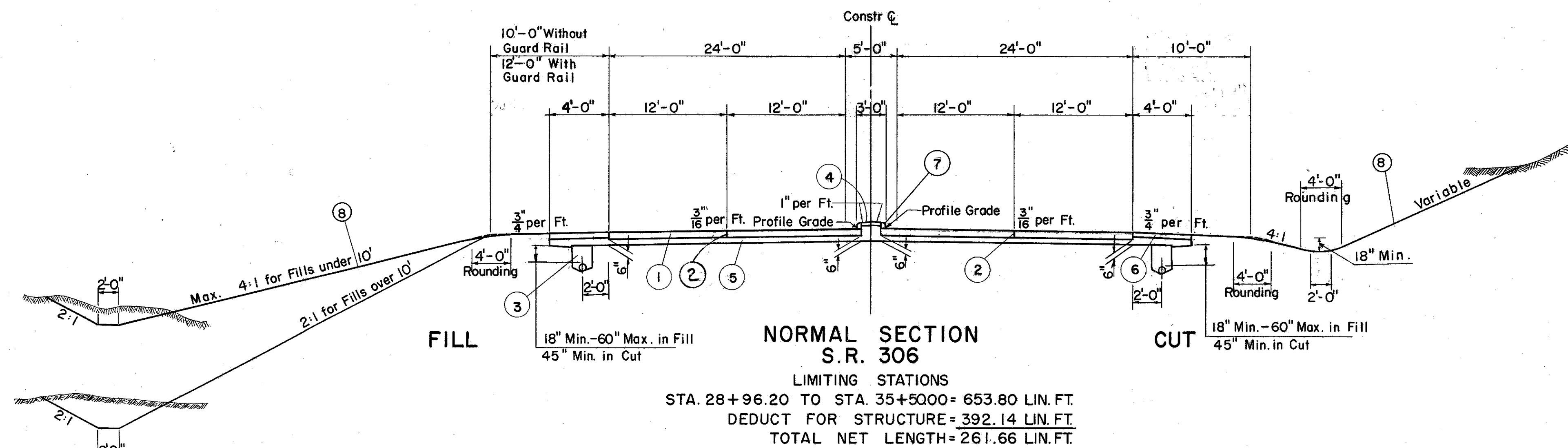


TYPICAL SECTIONS

FED. RD. DIVISION	STATE	PROJECT	7 297
2	OHIO	F-329 (15)	

LAKE COUNTY
LAK-2-4.42

TYPE T-71



LEGEND

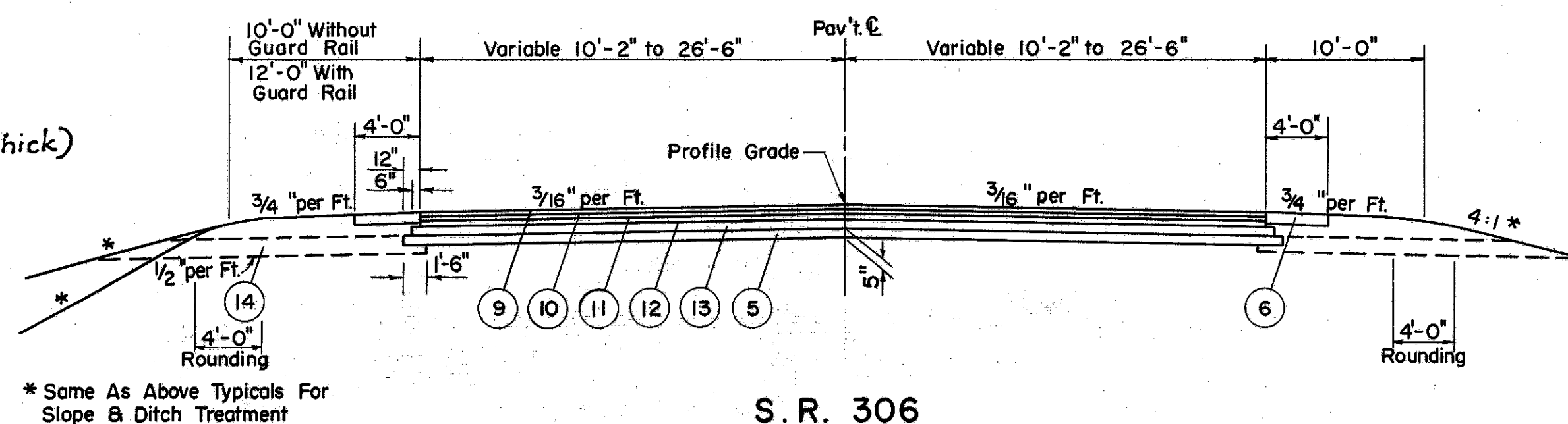
- ① T-71 9" Reinforced Portland Cement Concrete Pavement
- ② Standard Longitudinal Joint
- ③ I-4 6" Pipe Underdrain
- ④ I-21 Type I Portland Cement Concrete Median & Traffic Island Pavement (4" Thick)
- ⑤ I-22 Variable Subbase
- # ⑥ I-18 5" Stabilized Crushed Aggregate Shoulders & Approaches
- ⑦ I-12 Concrete Curb Type 2-A
- ⑧ L-9 Seeding and Protecting Roadway Areas

See Note in Proposal for additional stabilization with calcium chloride in upper three (3) inches of this item.

LEGEND

- ⑨ T-35 1/2" Asphaltic Concrete Surface Course, Type A (70-85)
- ⑩ B-35 1/2" Asphaltic Concrete Leveling Course (70-85)
- ⑪ B-35 2 3/4" Asphaltic Concrete Base Course (70-85)
- ⑫ T-30 Bituminous Prime Coat - Sec. M-5.3, MC-0 or MC-1 or Sec. M-5.7, RT-2 or RT-3 Applied at Rate of 0.35 Gal. per S.Y.
- ⑬ B-19 8" Aggregate Base Course
- ⑭ I-9 Stone Underdrain No. 2

TYPE T-35



* Same As Above Typical For Slope & Ditch Treatment