

TYPICAL SECTIONS

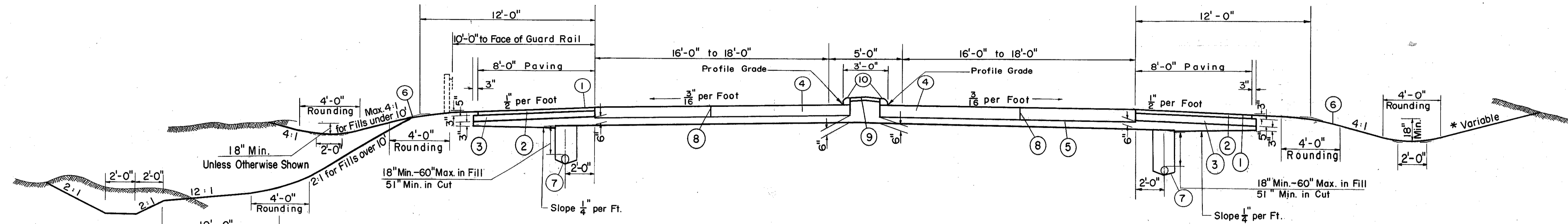
TYPE T-71

SCALE: 1" = 4'-0"

FED. RD. DIVISION	STATE	PROJECT	
2	OHIO	F-U-329(15)	

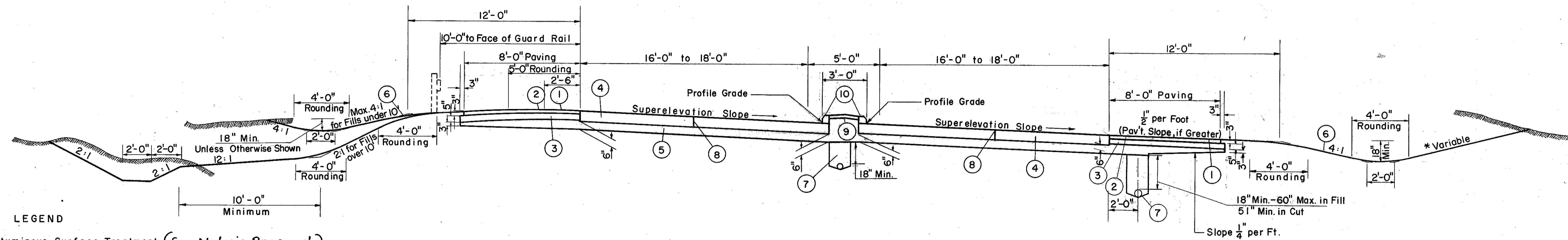
3
297

LAKE COUNTY
LAK-2-4.42



TYPICAL NORMAL RAMP SECTION - TWO-WAY RAMP

* 4:1 Slope for cuts up to five feet in depth
Variable Slope for cuts five to ten feet in depth
2:1 Slope for cuts ten feet or more in depth
See Cross Sections for Transition.



TYPICAL SUPERELEVATED RAMP SECTION - TWO-WAY RAMP

LEGEND

- ① T-31 Bituminous Surface Treatment (See Note in Proposal)
- ② B-33 Bituminous Macadam Base Course (3" Thick)
- ③ I-18 Stabilized Crushed Aggregate Shoulders & Approaches
- ④ T-71 10" Reinforced Portland Cement Concrete Pavement
- ⑤ I-22 Variable Depth Subbase Grading A or B as Per Plan
- ⑥ L-9 Seeding & Protecting
- ⑦ I-4 6" Pipe Underdrain
- ⑧ Standard Longitudinal Joint
- ⑨ I-21 Type 1 Portland Cement Concrete Median & Traffic Island Pavement (4" Thick)
- ⑩ I-12 Concrete Curb-Type 2-A