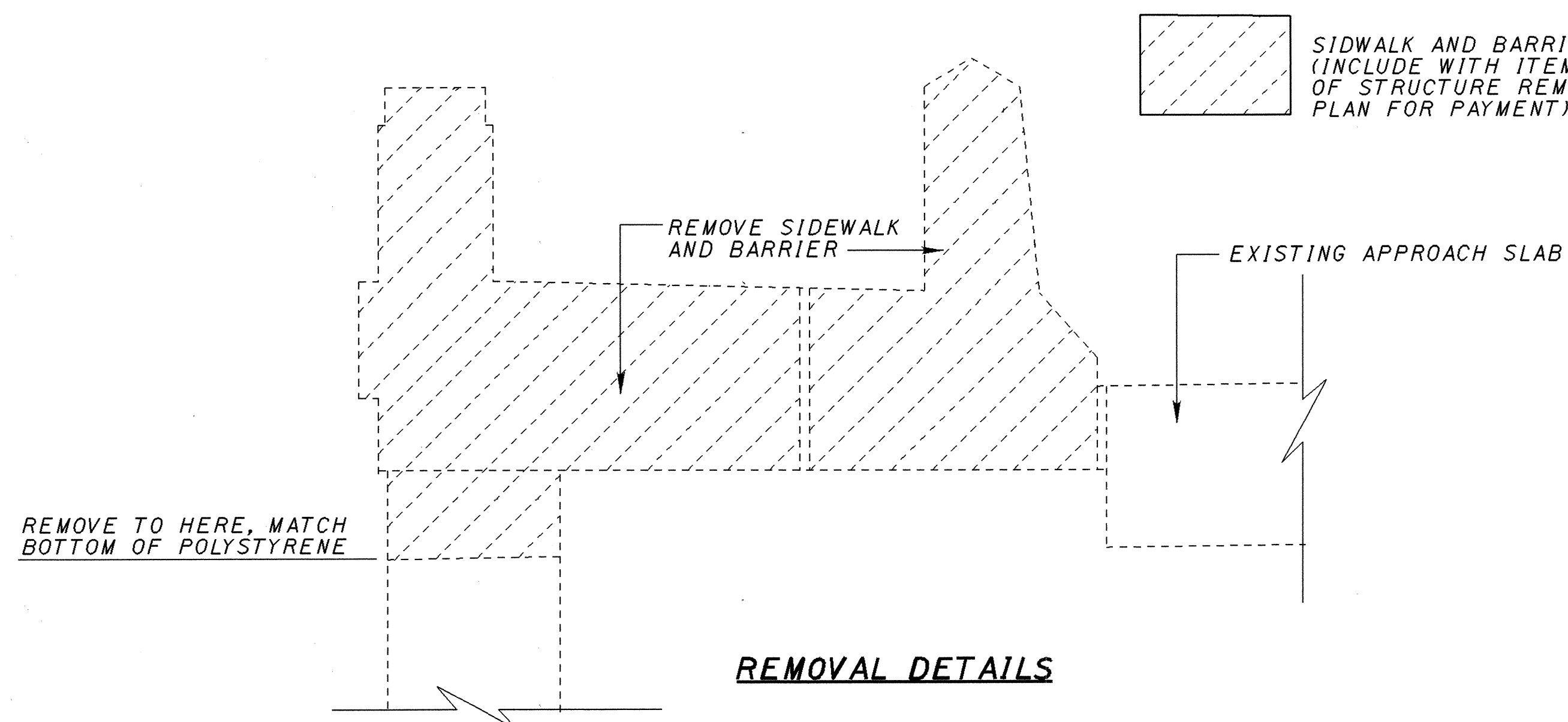
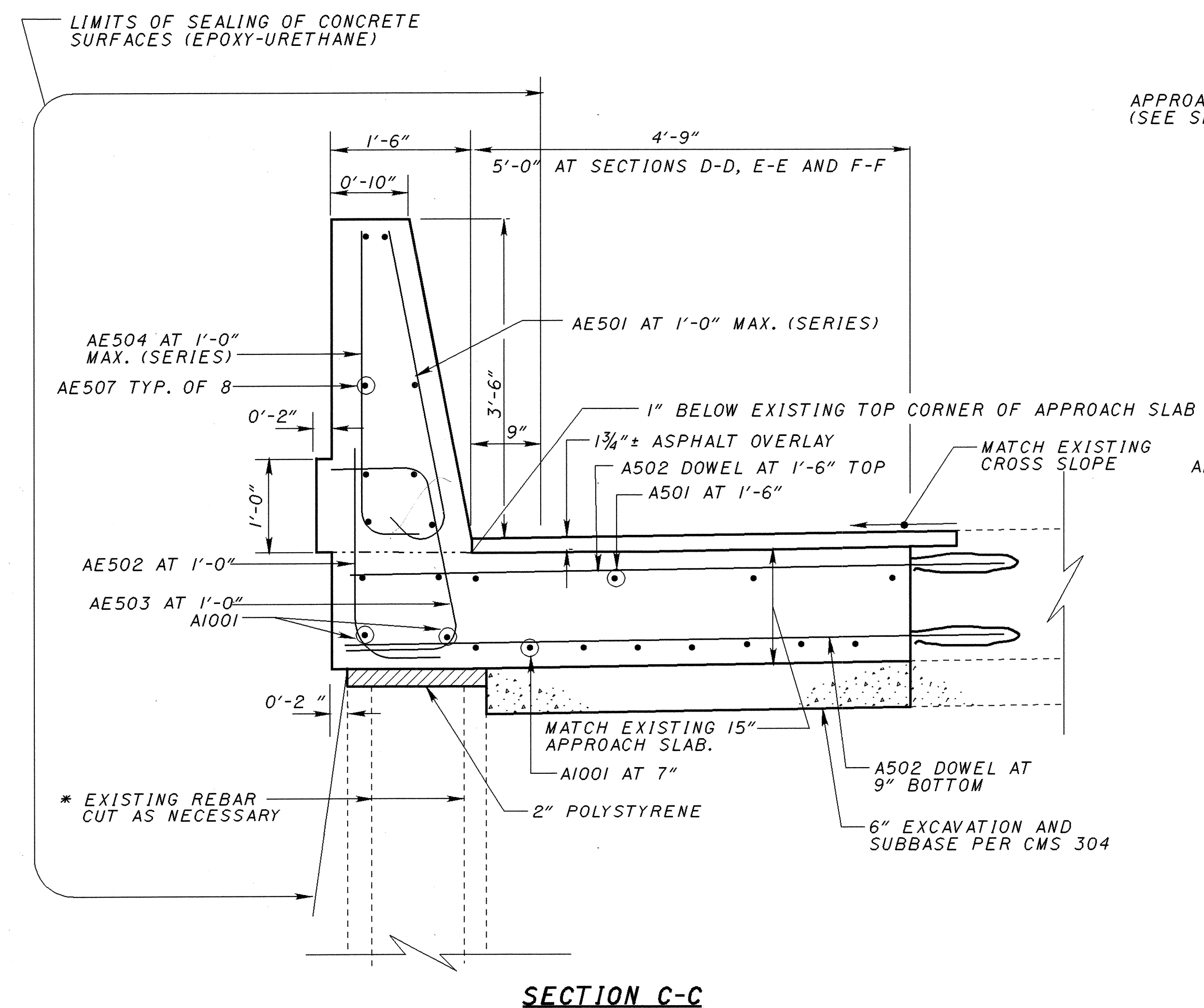


\$FILES \$DATE\$ \PROJECTS\PI8391\B&N\PLANS\18391SDA.DGN 14-AUG-2001 11:16PM fklonopka

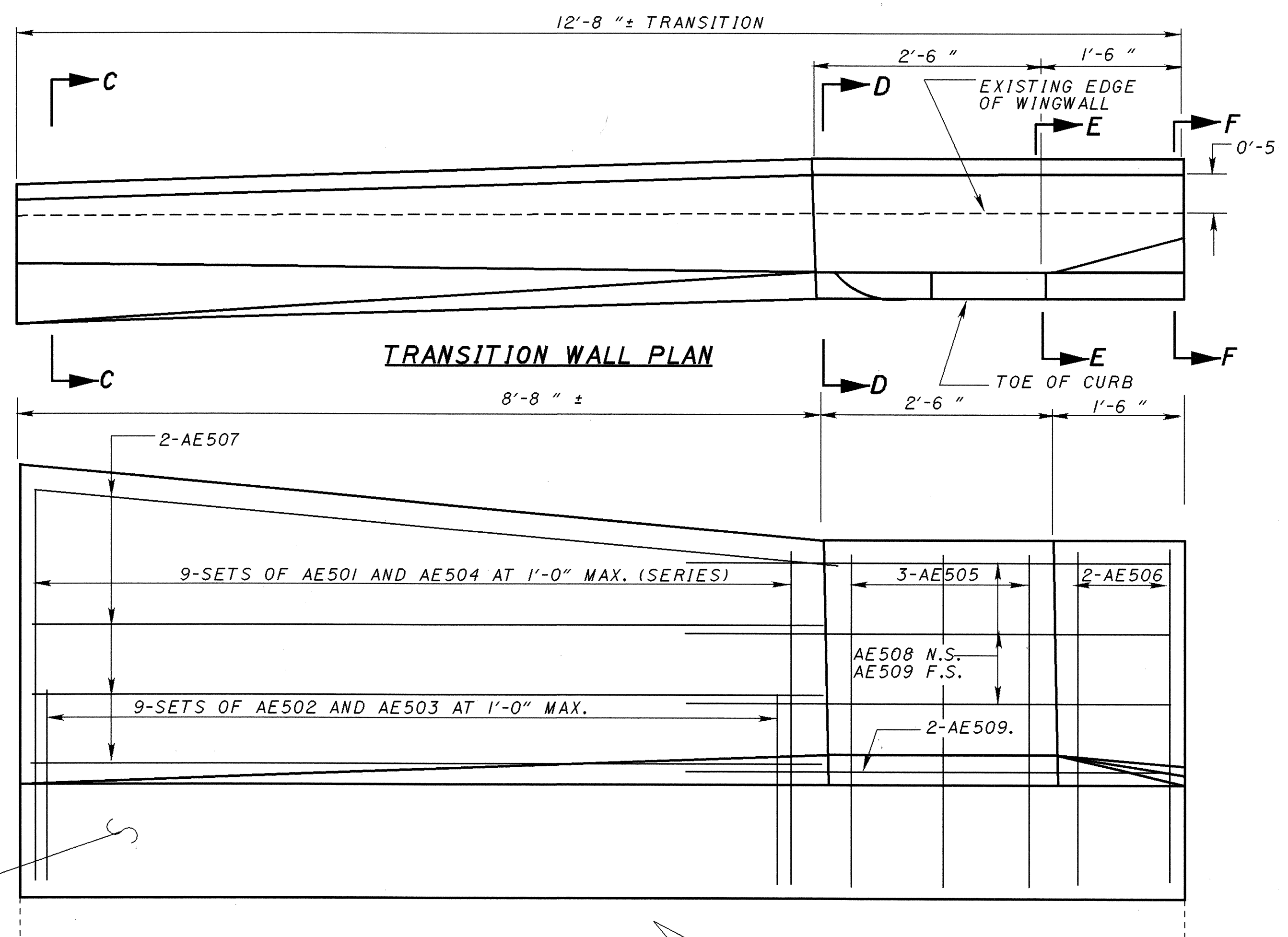


[Hatched Box] **SIDWALK AND BARRIER REMOVAL**
 (INCLUDE WITH ITEM 202 - PORTIONS OF STRUCTURE REMOVED, AS PER PLAN FOR PAYMENT) *

REMOVAL DETAILS

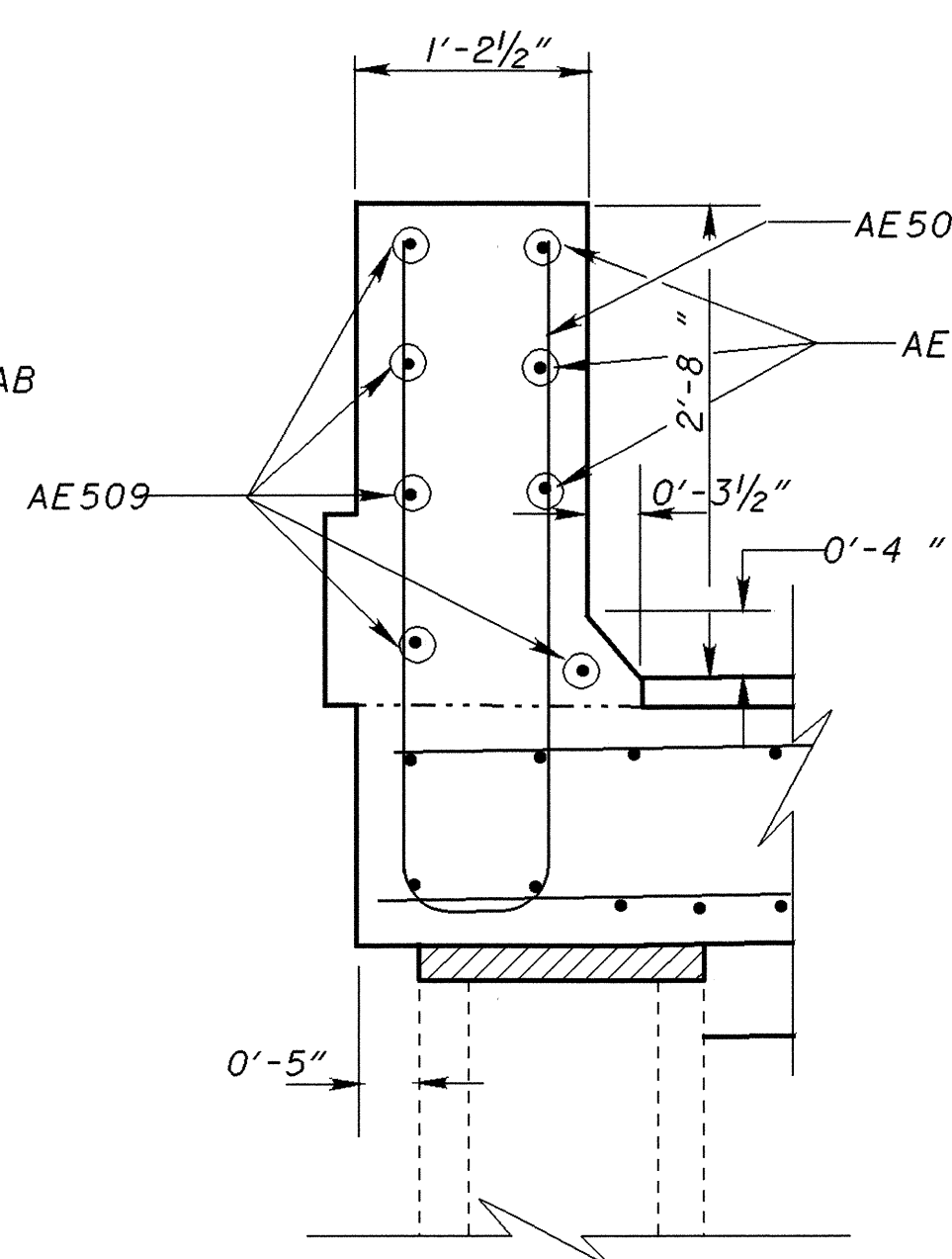


SECTION C-C

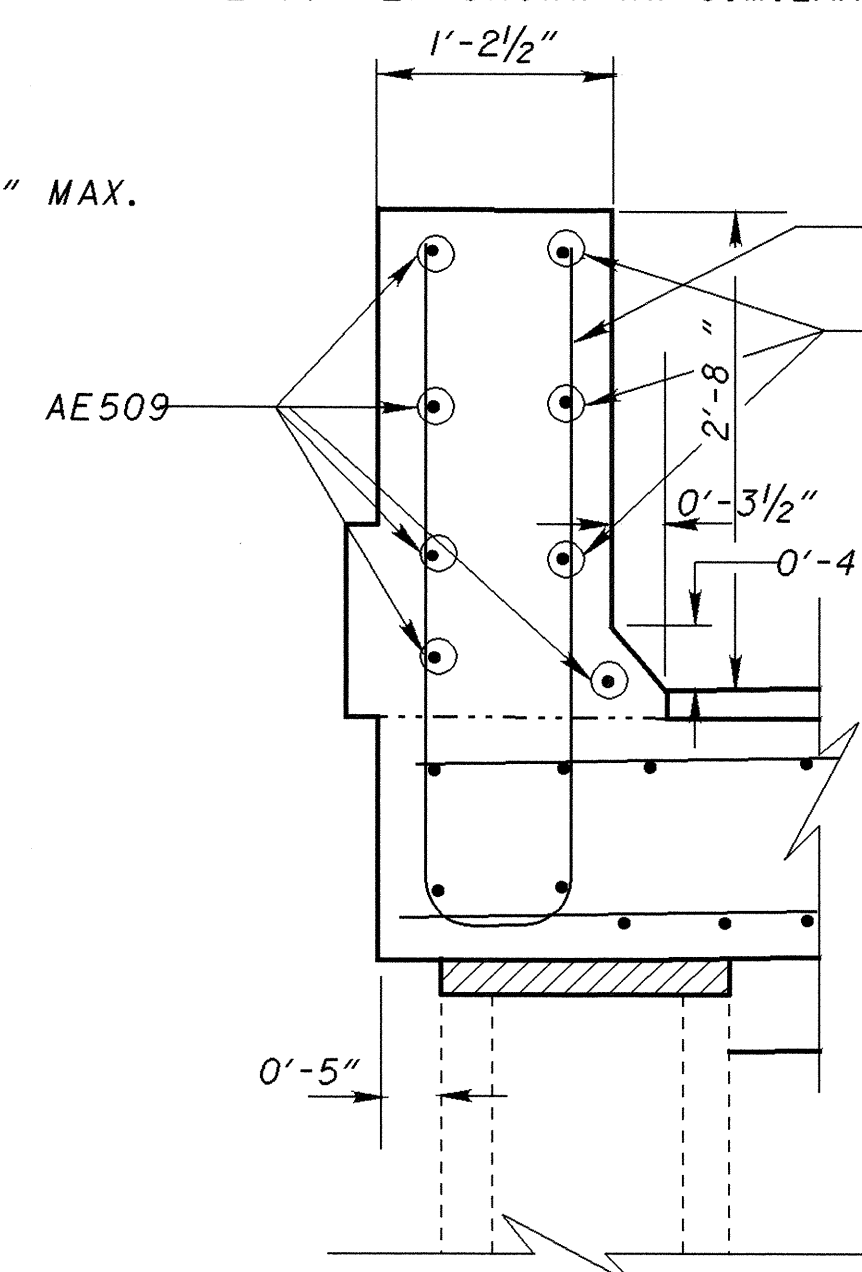


TRANSITION WALL PLAN

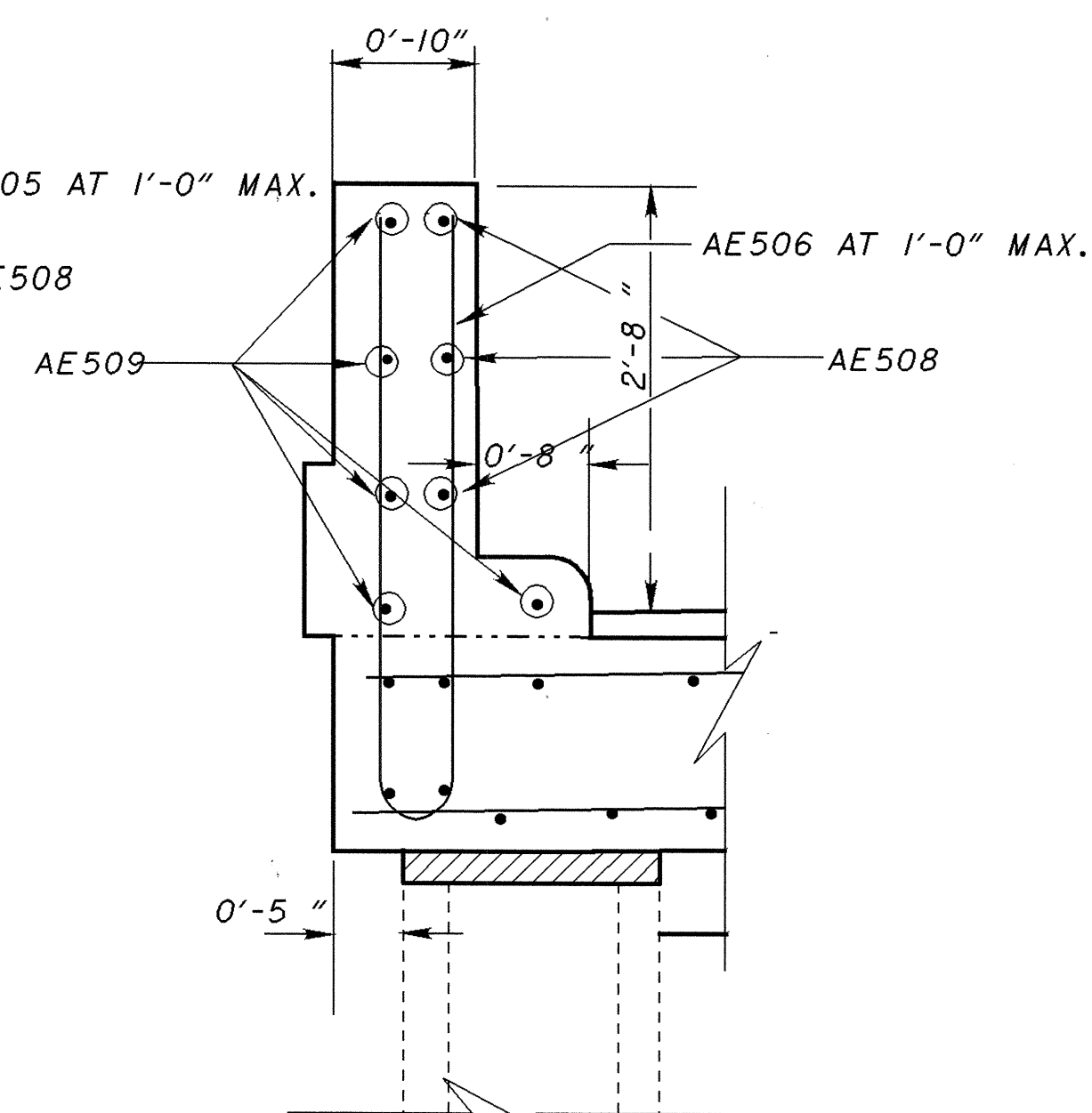
TRANSITION WALL ELEVATION
NE CORNER SHOWN NW SIMILAR



SECTION D-D



SECTION E-E



SECTION F-F

NOTES:
 ALL CONCRETE FOR THE APPROACH SLABS AND TRANSITION WALL SHALL BE HIGH PERFORMANCE CONCRETE. EXCAVATION, SUBBASE, APPROACH SLAB EXTENSION, TRANSITION WALL, DOWEL HOLES AND EPOXY GROUT SHALL BE PAID FOR UNDER ITEM 844 - HPC, MISC. DECK AND APPROACH SLAB EXTENSIONS.
 PLACE THE HOOKED END OF A1001 TOWARD THE BRIDGE.

LEGEND
 EXIST. = EXISTING
 MIN. = MINIMUM
 MAX. = MAXIMUM
 N.S. = NEAR SIDE
 F.S. = FAR SIDE
 TYP. = TYPICAL

DESIGN AGENCY: BURGESS & NIPILE, 100 WEST ERIE STREET, PAINESVILLE, OHIO 44077
 DATE: 2-28-01
 REVIEWED: DWL
 STRUCTURE FILE NUMBER: 4302702
 DRAWN: SCT
 CHECKED: ENF
 DESIGNED: SCT
 REVISIONS:

APPROACH SLAB DETAILS
 BRIDGE NO. LAK-44-0510
 JACKSON STREET OVER STATE ROUTE 44

LAKE COUNTY
 LAK-2/44-13.05/4.14

7 / 8
 85G
 93