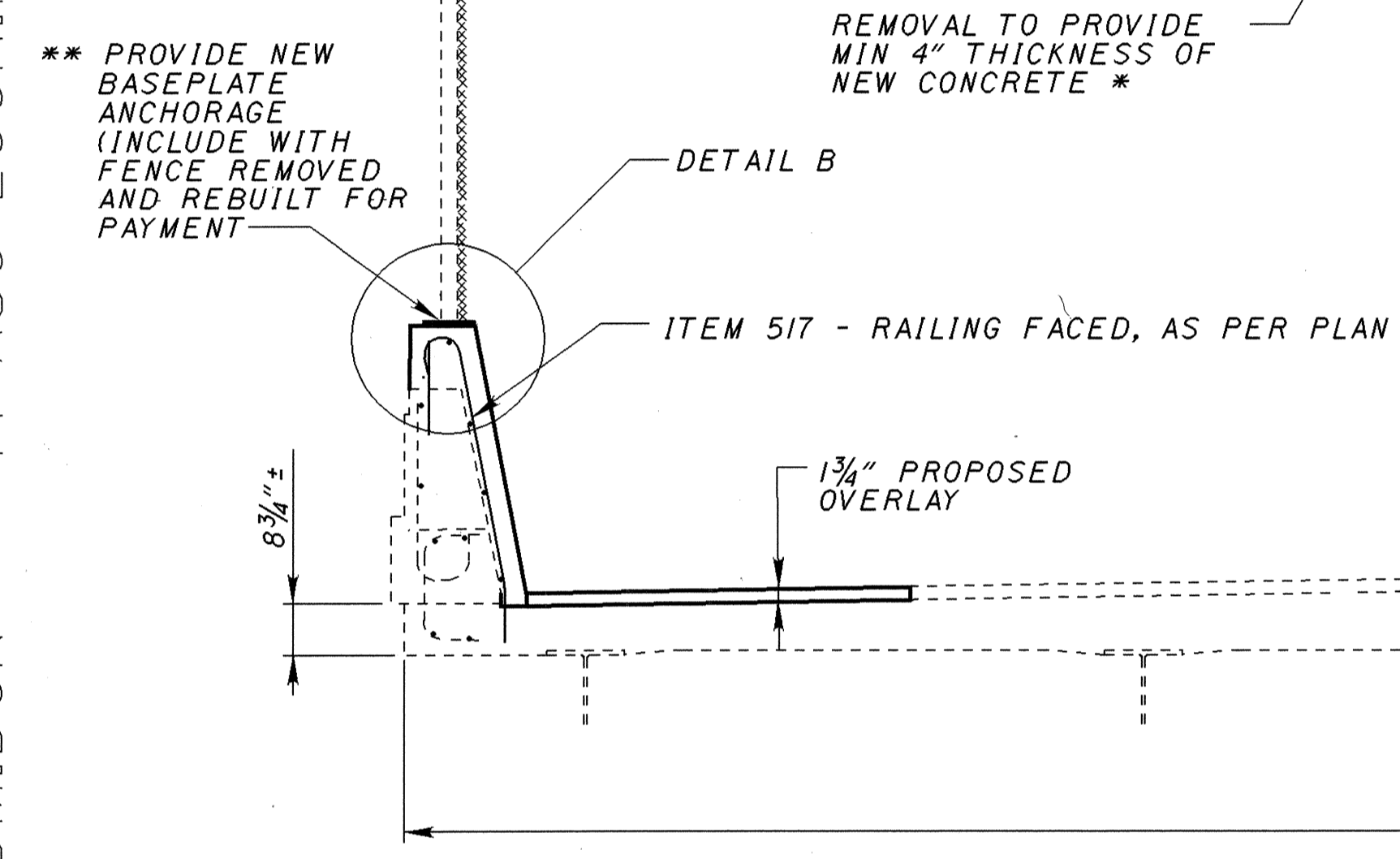
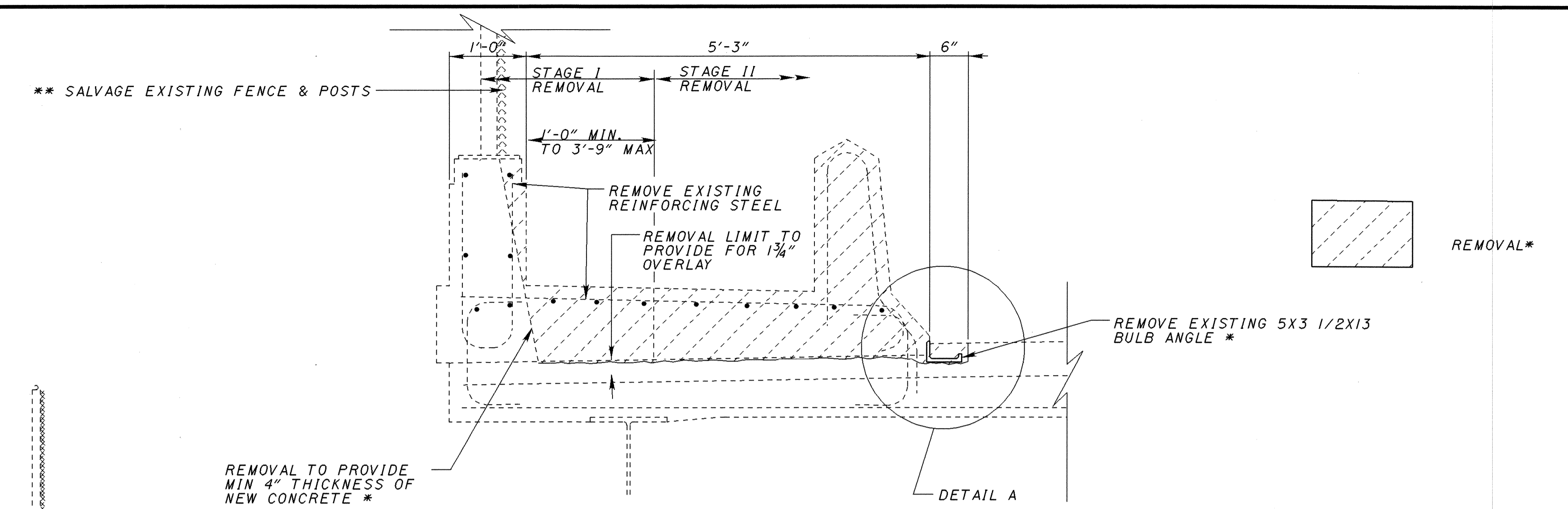
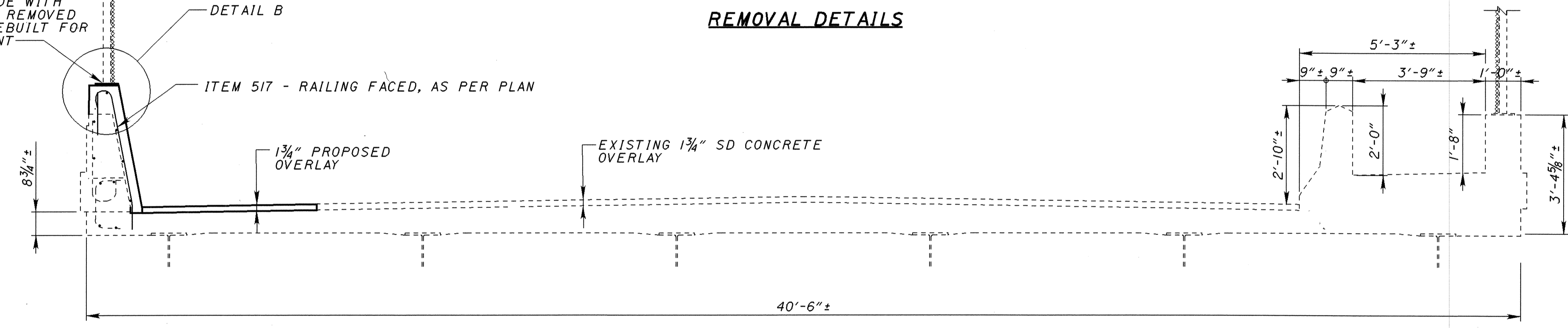


\$FILES\$ \$DATE\$ PROJECTS\PI\8391\B&N\PLANS\18391SDM.DGN 14-AUG-2001 11:15PM fkonopka

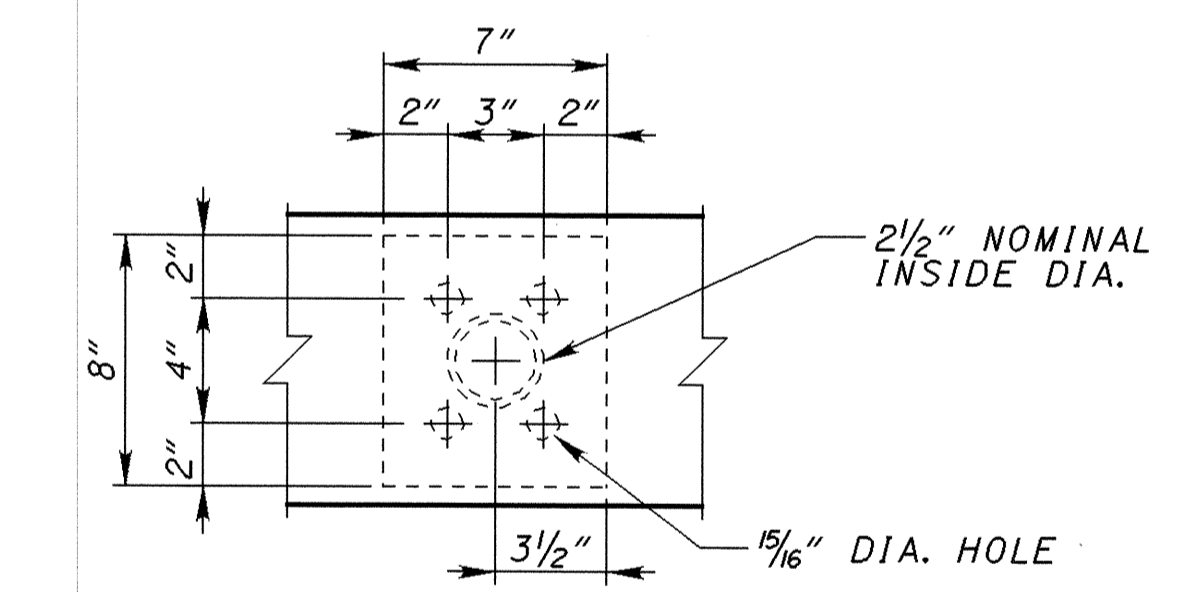


REMOVAL DETAILS

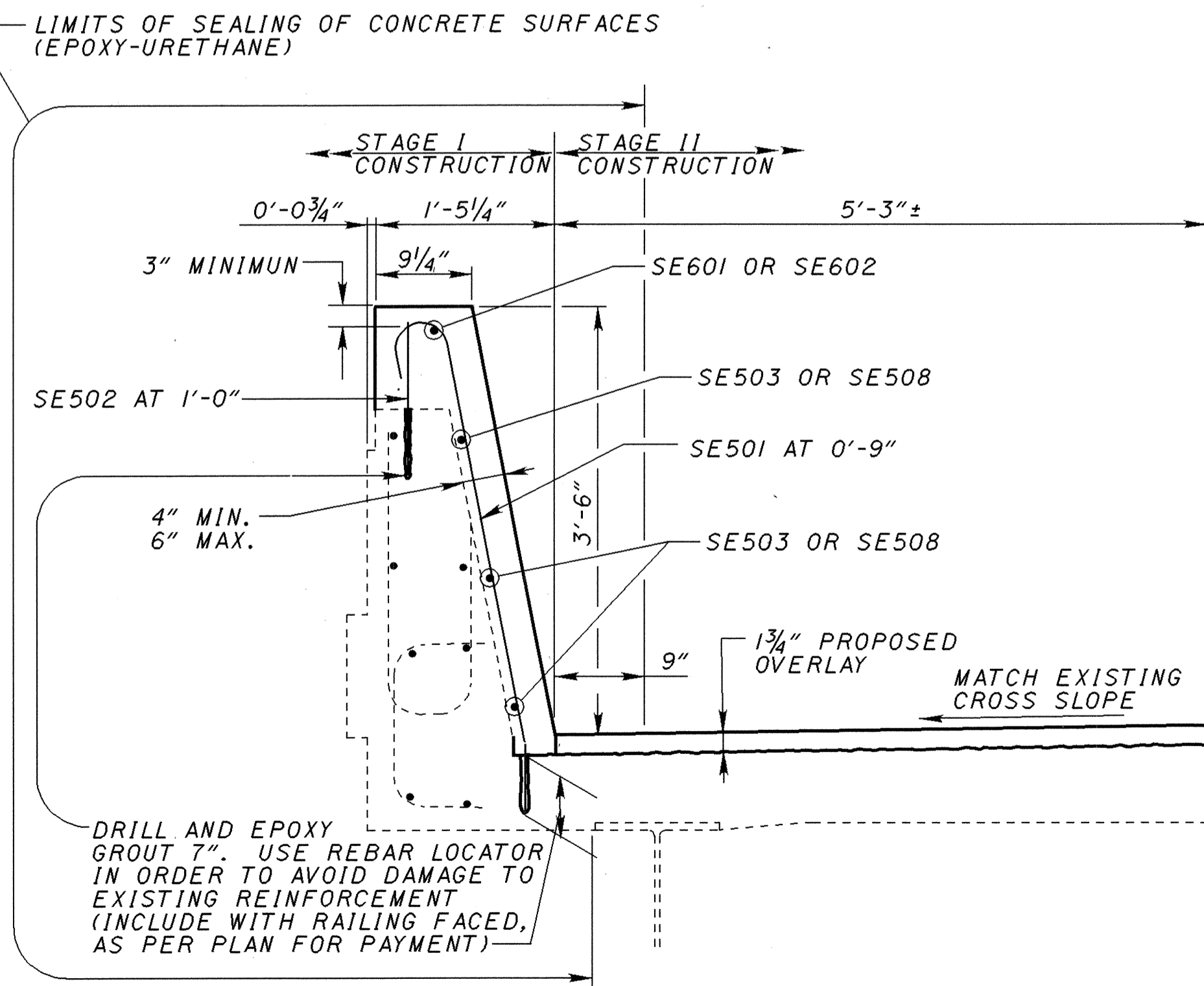
NOTES:
 EXACT EXISTING REBAR LOCATIONS NOT KNOWN
 ALL REINFORCING STEEL SHALL BE SPACED AS SHOWN. VERTICAL STEEL SHALL MISS SHRINKAGE CONTROL JOINTS BY 3" MIN.
 ALL LONGITUDINAL STEEL SHALL BE CONTINUOUS WITH MINIMUM LAP SPLICES 2'-0"
 CONCRETE COVER SHALL BE 2" TYPICAL
 REINFORCING STEEL - ASTM A615, A616, OR A617, GRADE 60. Fy = 60 KSI. Fs = 24 KSI
 FOR ADDITIONAL NOTES AND INFORMATION, SEE SBR-1-98 AND THE STRUCTURE NOTES.
 * INCLUDE WITH ITEM 202 - PORTIONS OF STRUCTURE REMOVED, AS PER PLAN



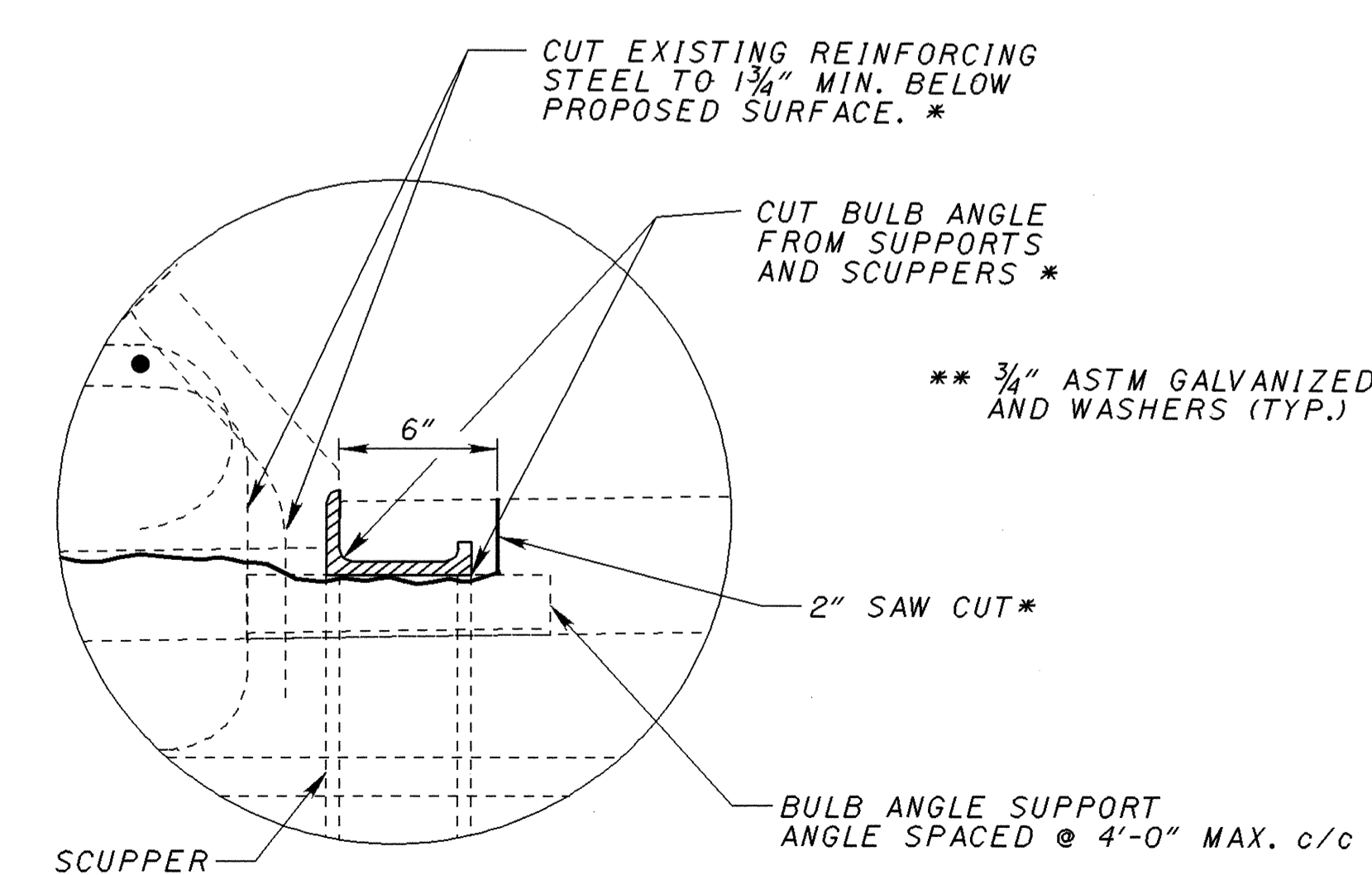
**PROPOSED TRANSVERSE SECTION
FACING EAST**



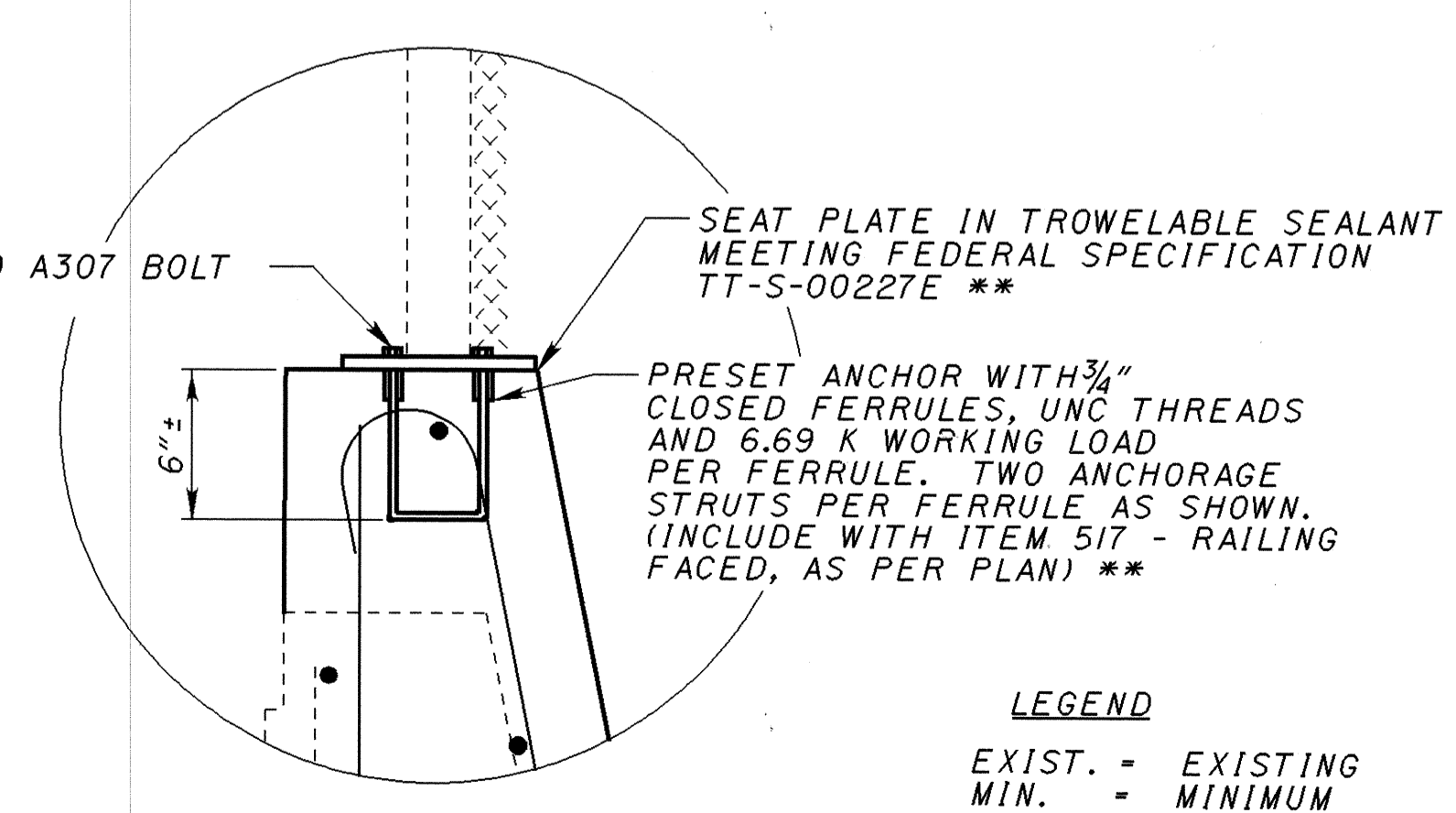
PLAN VIEW EXISTING BASE PLATE



REPAIR DETAIL



DETAIL A



DETAIL B

LEGEND
 EXIST. = EXISTING
 MIN. = MINIMUM
 PL = PLATE
 R. = RADIUS
 SS = STAINLESS STEEL
 TYP. = TYPICAL
 c/c = CENTER TO CENTER

DESIGN AGENCY BURGESS & NIPLE 100 WEST ERIE STREET PAINESVILLE, OHIO 44077	DATE 2-28-01	REVIEWED DWL	STRUCTURE FILE NUMBER 4302702
DRAWN SCT	CHECKED ENF		
STRUCTURE DETAILS BRIDGE NO. LAK-44-0510 JACKSON STREET OVER STATE ROUTE 44			
LAKE COUNTY LAK-2/44-13.05/4.14	5 / 8	85E	93