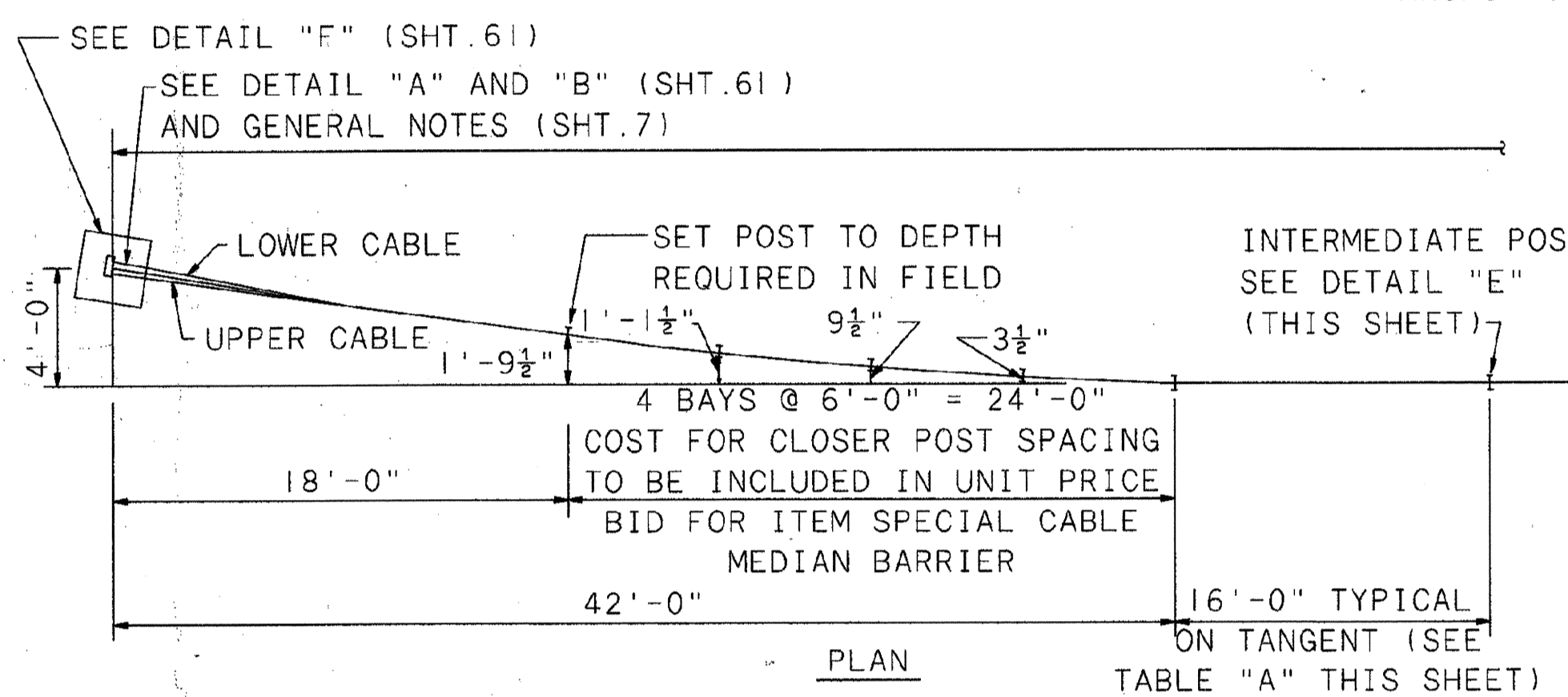


TYPICAL CABLE MEDIAN BARRIER ANCHORAGE LAYOUT

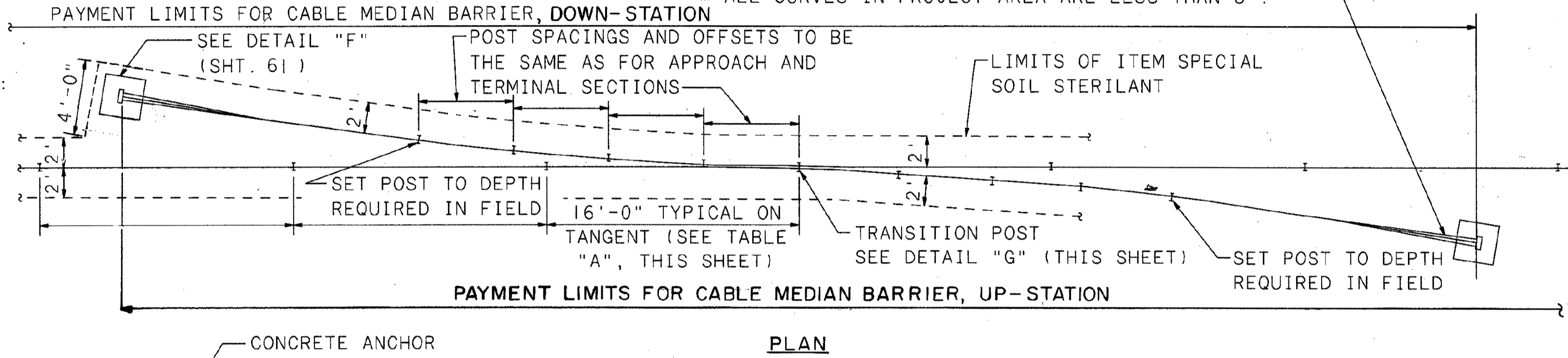
TABLE "A"	
CURVATURE (Degree or Radius)*	POST SPACING
8° OR LESS	16'
MORE THAN 8° TO 13° (440' Radius)	12'

* ALL CURVES IN PROJECT AREA ARE LESS THAN 8°

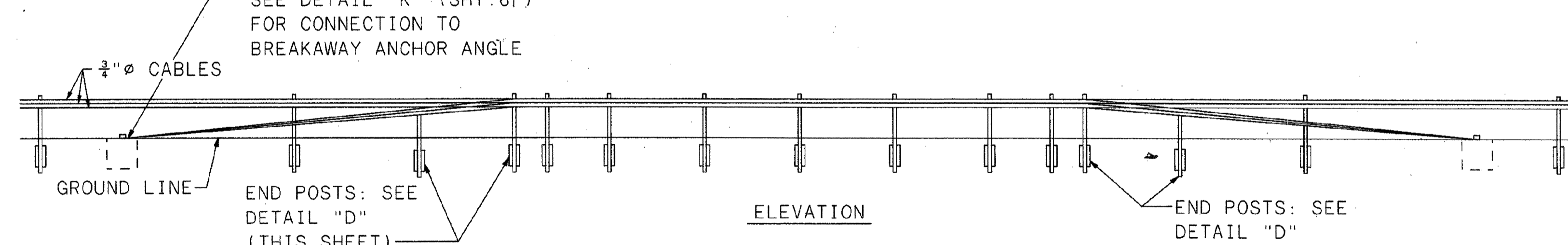
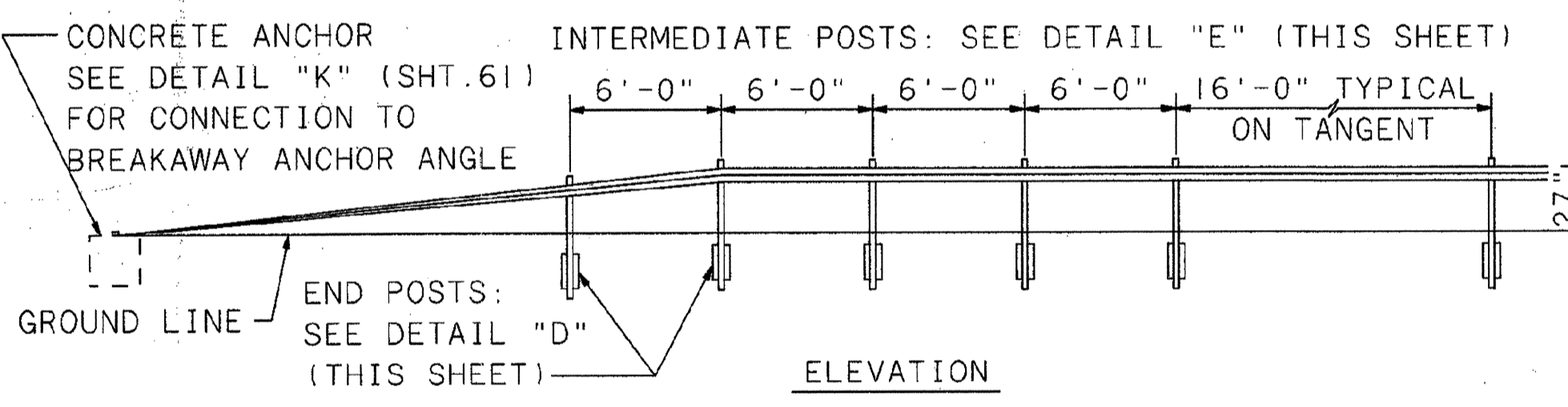
CENTER CABLE SPRING ASSEMBLY TO BE STAGGERED TO AVOID INTERFERENCE WITH OUTSIDE SPRING ASSEMBLIES



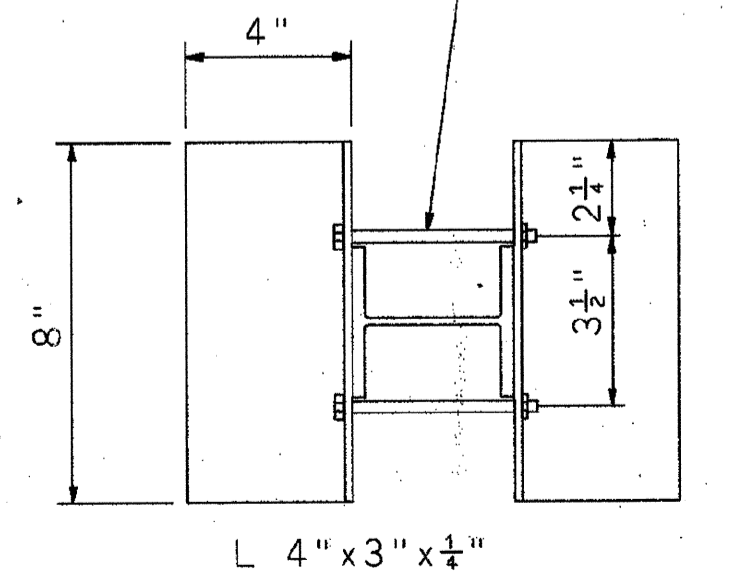
TYPICAL APPROACH & TERMINAL SECTIONS



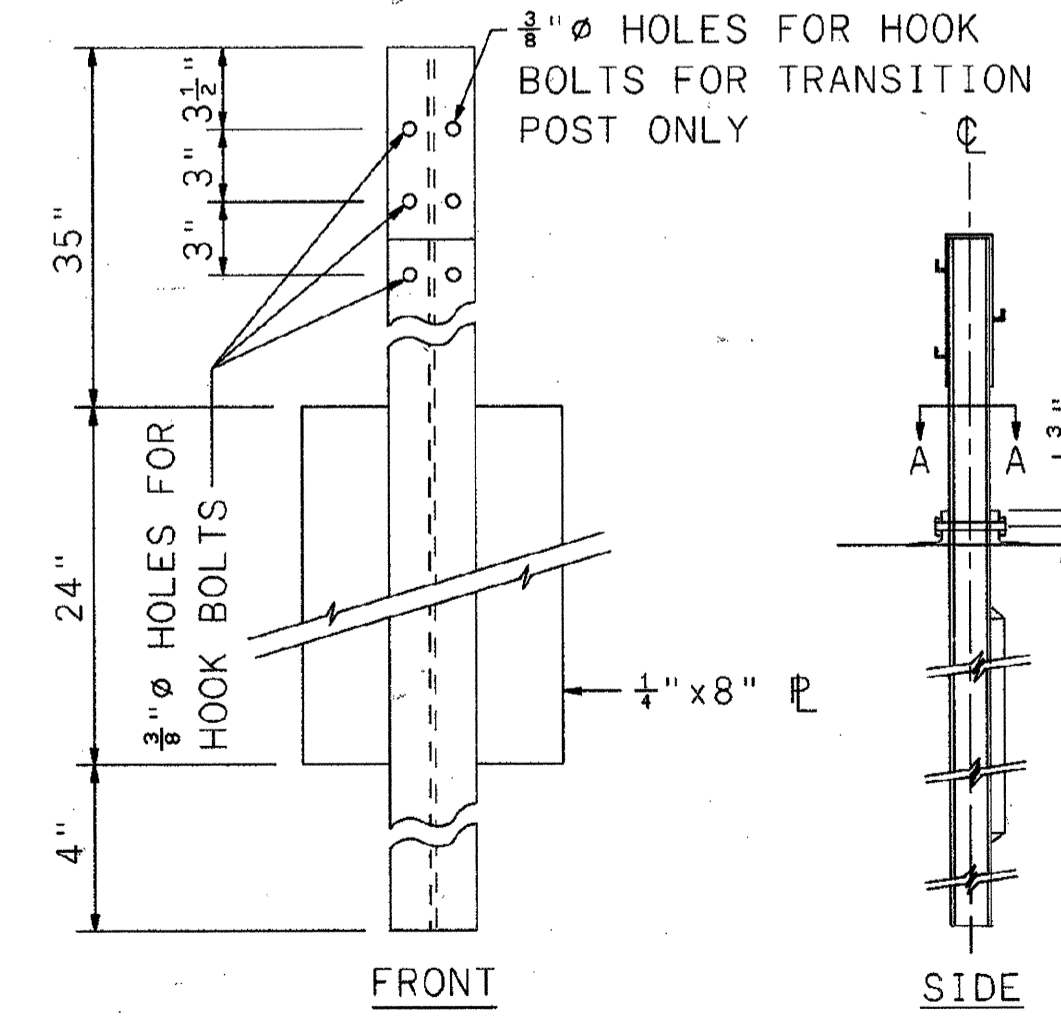
TYPICAL INTERMEDIATE ANCHORAGE SECTION



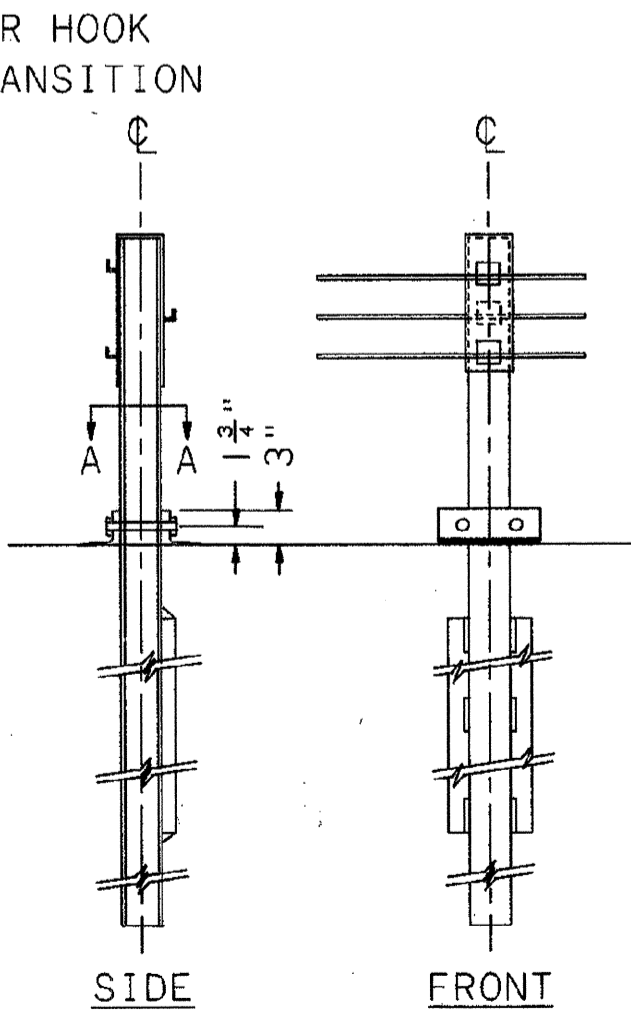
$\frac{3}{8}$ " ϕ HOLES FOR $\frac{3}{4}$ " BOLTS
4 1/2" LONG WITH NUTS AND WASHERS. BOLTS TORQUED TO 100 ± 20 FT. LBS. AFTER POST IS DRIVEN.



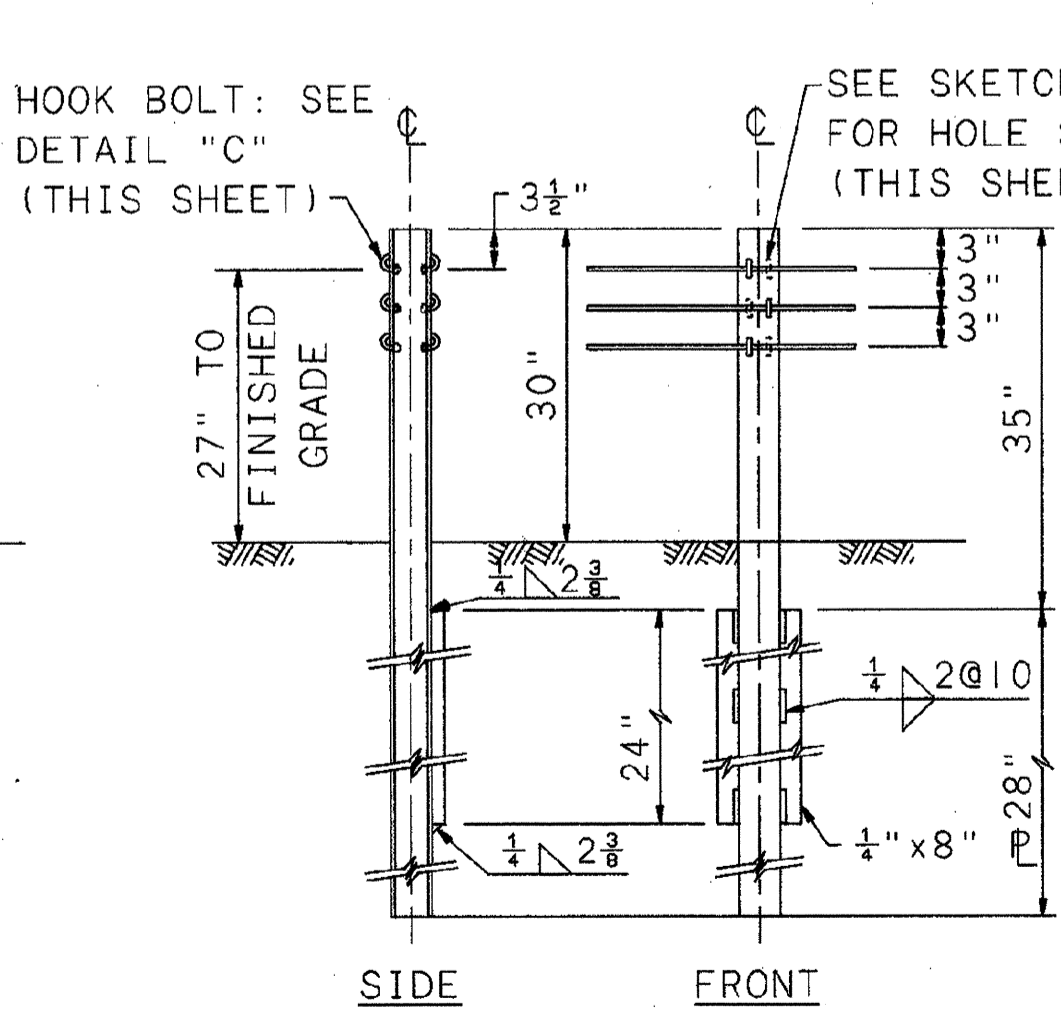
SECTION A-A



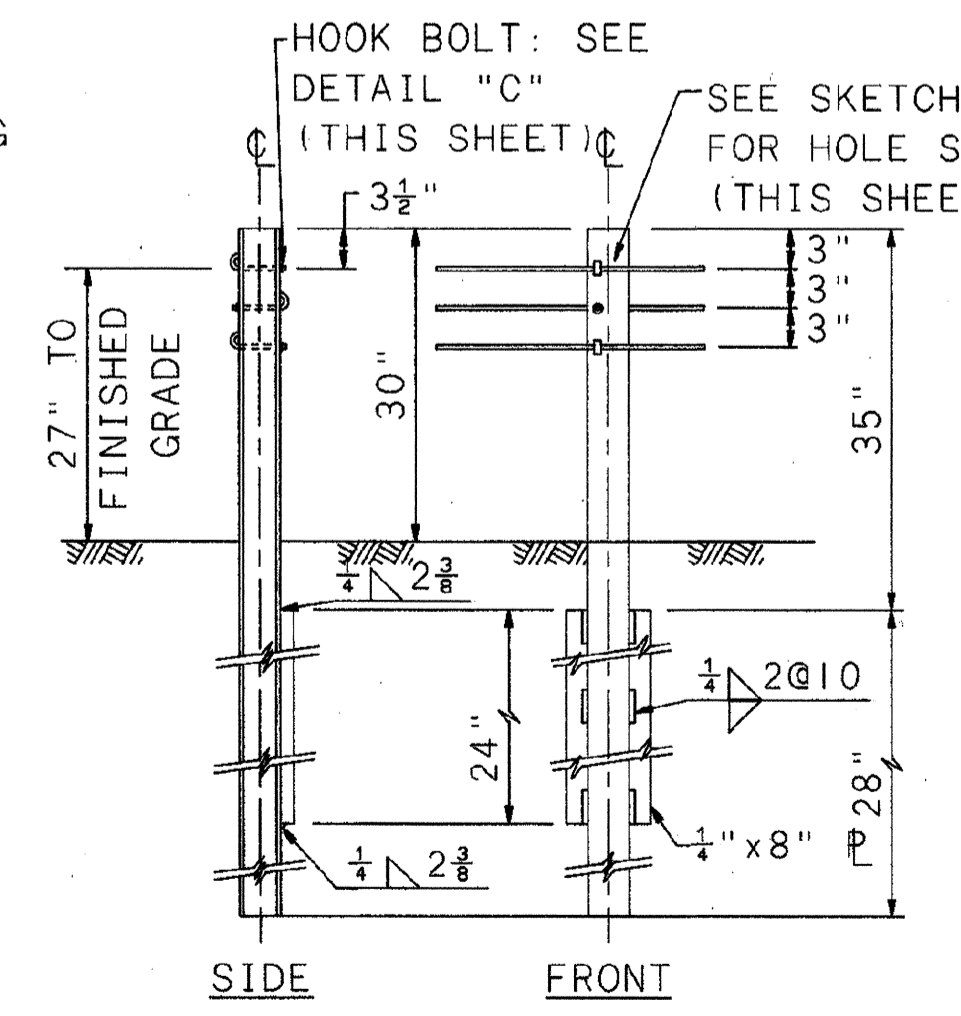
SKETCH NO. 1
INTERMEDIATE POST
3" x 2 1/2" I (STEEL)



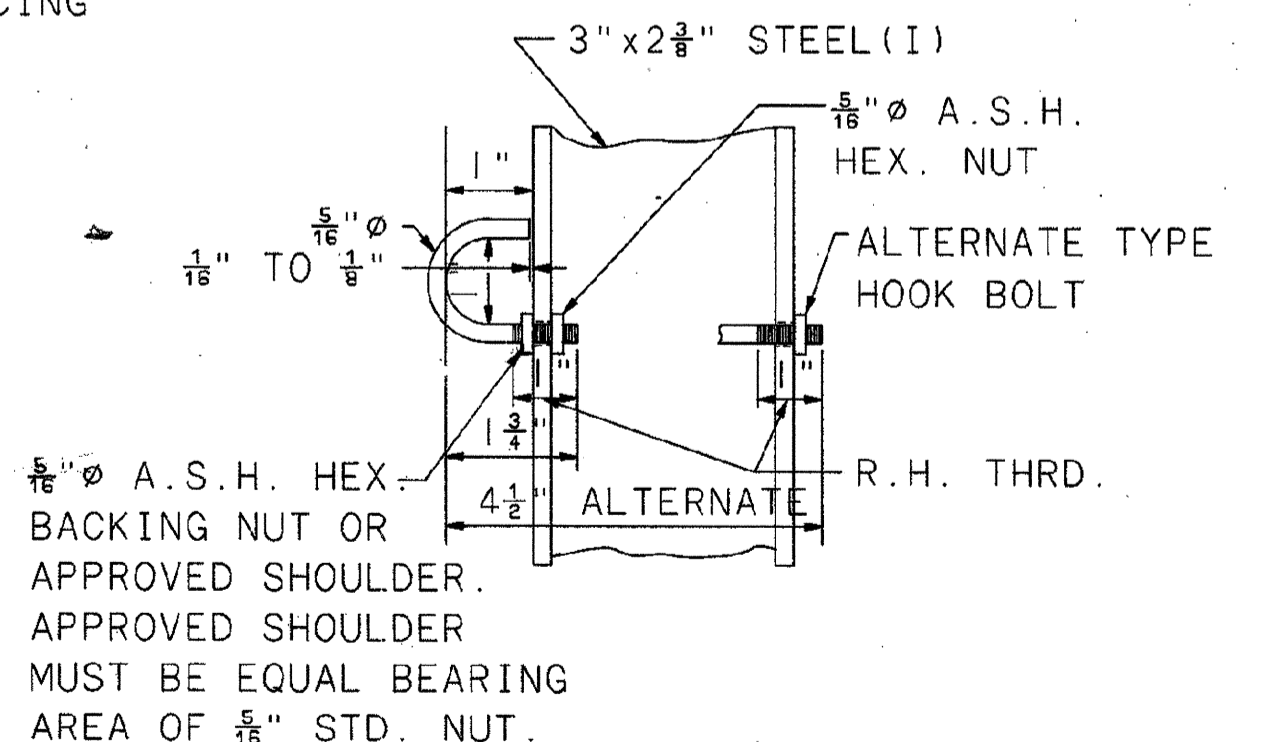
DETAIL "D"
END POST



DETAIL "G"
TRANSITION POST



DETAIL "E"
INTERMEDIATE POST



DETAIL "C"
HOOK BOLT

PLOTTED FROM PROJECTS\Pid1839\lrdgn\1839.lgrg.dgn