

ITEM 606 - IMPACT ATTENUATOR, TYPE 1-98 (UNIDIRECTIONAL OR BIDIRECTIONAL)

THIS ITEM SHALL CONSIST OF FURNISHING AND INSTALLING EITHER OF THE FOLLOWING IMPACT ATTENUATORS:

1) THE C-A-T MANUFACTURED BY SYRO, INC., 1170 N. STATE STREET, GIRARD, OHIO 44420 (TELEPHONE: 330.545-4373).

THE LENGTH OF THE C-A-T SYSTEM IS CONSIDERED TO BE 31.25 FT. LONG. INSTALLATION SHALL BE AT THE LOCATIONS SPECIFIED IN THE PLANS, IN ACCORDANCE WITH THE MANUFACTURER'S SPECIFICATIONS AS DETAILED ON THE FOLLOWING PRE-APPROVED SHOP DRAWINGS:

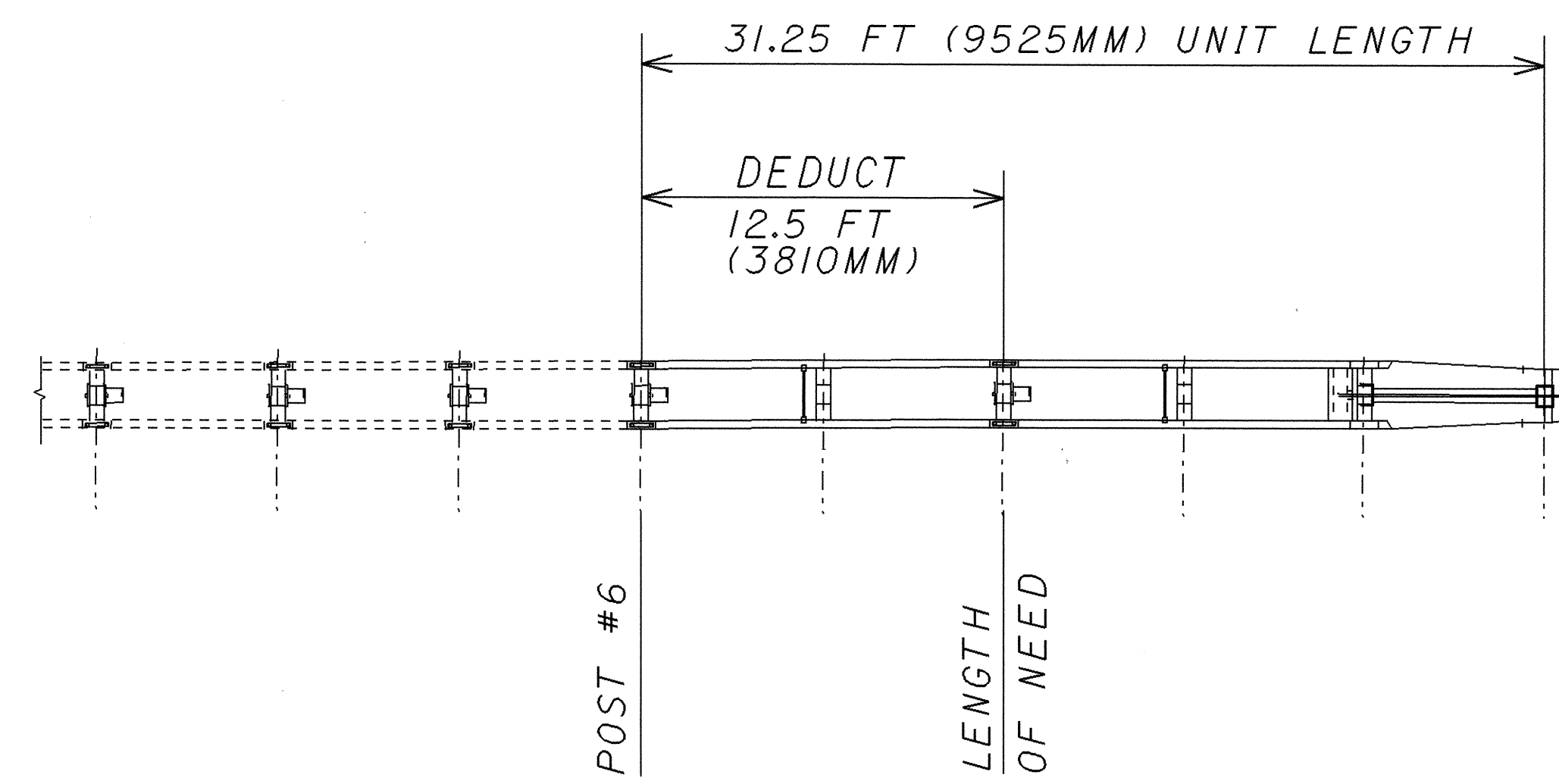
DWG. #	DRAWING NAME	DWG./REV. DATE	ODOT APPROVAL
SS245M	CRASH-CUSHION ATTENUATING TERMINAL PLAN, ELEVATION & SECTIONS. FOR USE AS A LONGITUDINAL MEDIAN BARRIER TERMINAL OR CRASH CUSHION ATTENUATOR	4-10-97	3-6-98
SS224M	C-A-T TRANSITION TO MEDIAN BARRIER GUARDRAIL PLAN, ELEVATION & SECTIONS.	4-26-96	3-6-98
SS226M	C-A-T TRANSITION TO VERTICAL WALL OR PIER PLAN, ELEVATION & SECTIONS.	4-26-96	3-6-98

2) THE BREAKMASTER MANUFACTURED BY ENERGY ABSORPTION SYSTEMS, INC., ONE EAST WACKER DRIVE, CHICAGO, IL 60601 (TELEPHONE: 312.467-6750).

THE LENGTH OF THE BREAKMASTER IS CONSIDERED TO BE 32'-8" LONG. INSTALLATION SHALL BE AT THE LOCATIONS SPECIFIED IN THE PLANS, IN ACCORDANCE WITH THE MANUFACTURER'S SPECIFICATIONS AS DETAILED ON THE FOLLOWING PRE-APPROVED SHOP DRAWINGS:

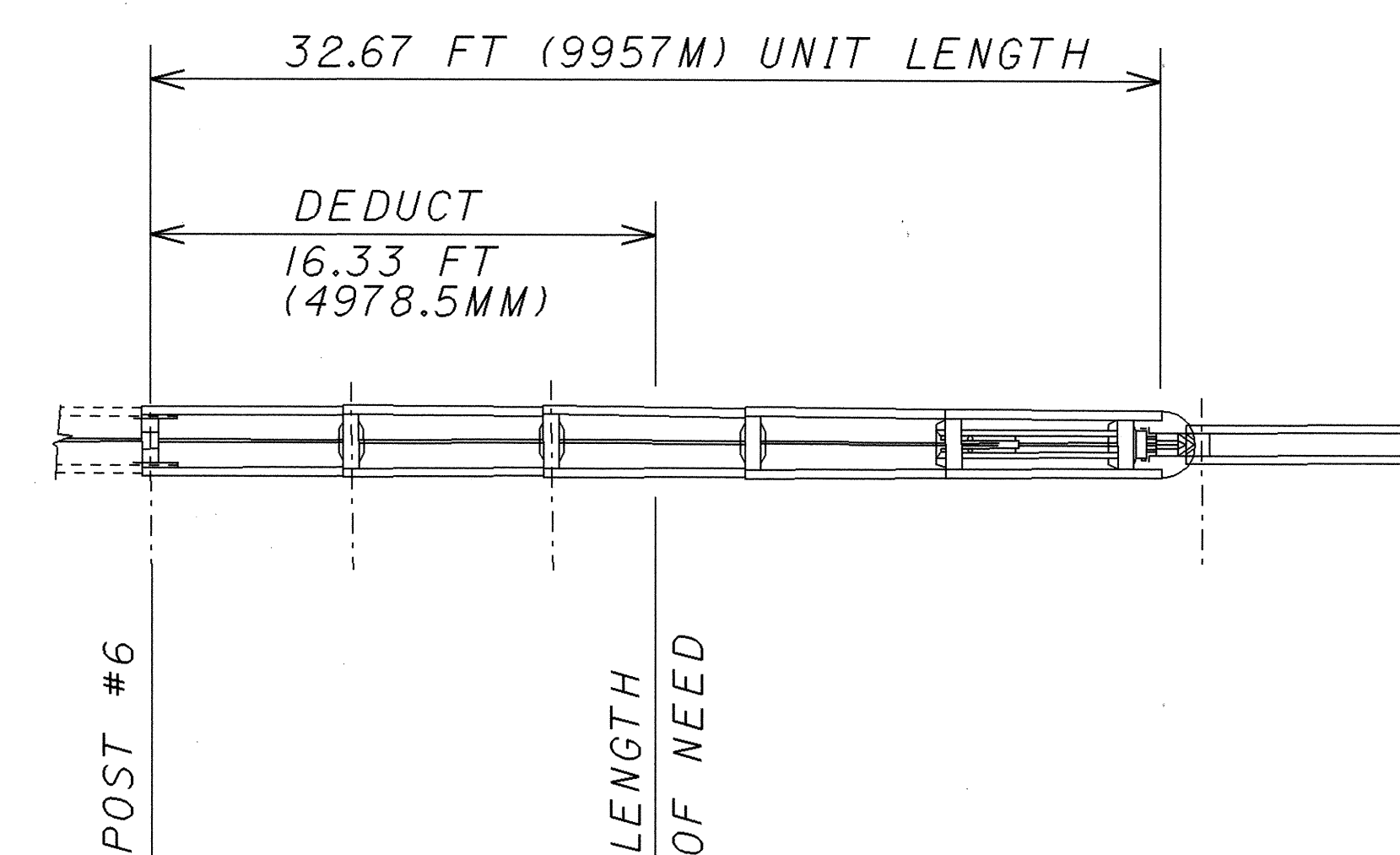
DWG. #	DRAWING NAME	DWG./REV. DATE	ODOT APPROVAL
92-00-01	BREAKMASTER GENERAL ASSEMBLY (UNIDIRECTIONAL SYSTEM)	3-6-97	3-6-98
92-00-81	BREAKMASTER (UNIDIRECTIONAL) WITH FOUNDATION TUBES	2-9-98	3-6-98
92-00-02	BREAKMASTER GENERAL ASSEMBLY (BIDIRECTIONAL SYSTEM)	3-10-97	3-6-98
92-00-82	BREAKMASTER (BIDIRECTIONAL) WITH FOUNDATION TUBES	2-9-98	3-6-98
9202024-0000	ANCHOR ASSEMBLY, FOUNDATION TUBE, 6 1/2 FT., BRS	6-12-97	3-6-98

THE FACE OF THE TYPE 1-98 IMPACT HEAD SHALL BE COVERED WITH A SHEET OF TYPE G REFLECTIVE SHEETING, PER CMS 730.19, APPROXIMATELY 36" x 12" (915 mm W x 305 mm H). PAYMENT FOR THE ABOVE WORK SHALL BE MADE AT THE UNIT PRICE FOR ITEM 606, IMPACT ATTENUATOR, TYPE 1-98 (UNIDIRECTIONAL OR BIDIRECTIONAL), EACH, AND SHALL INCLUDE ALL LABOR, TOOLS, EQUIPMENT AND MATERIALS NECESSARY TO CONSTRUCT A COMPLETE AND FUNCTIONAL IMPACT ATTENUATOR SYSTEM, INCLUDING ALL RELATED TRANSITIONS, HARDWARE, REFLECTIVE SHEETING AND GRADING, NOT SEPERATELY SPECIFIED, AS REQUIRED BY THE MANUFACTURER.



POST #6 IS INCLUDED FOR PAYMENT WITH STANDARD GUARDRAIL
LENGTH OF NEED @ POST #4

C-A-T



POST #6 IS INCLUDED FOR PAYMENT WITH STANDARD GUARDRAIL
LENGTH OF NEED @ MIDPOINT

BRAKEMASTER

PLOTTED FROM PROJECTS\P18391\Bdgn\18391gra.dgn