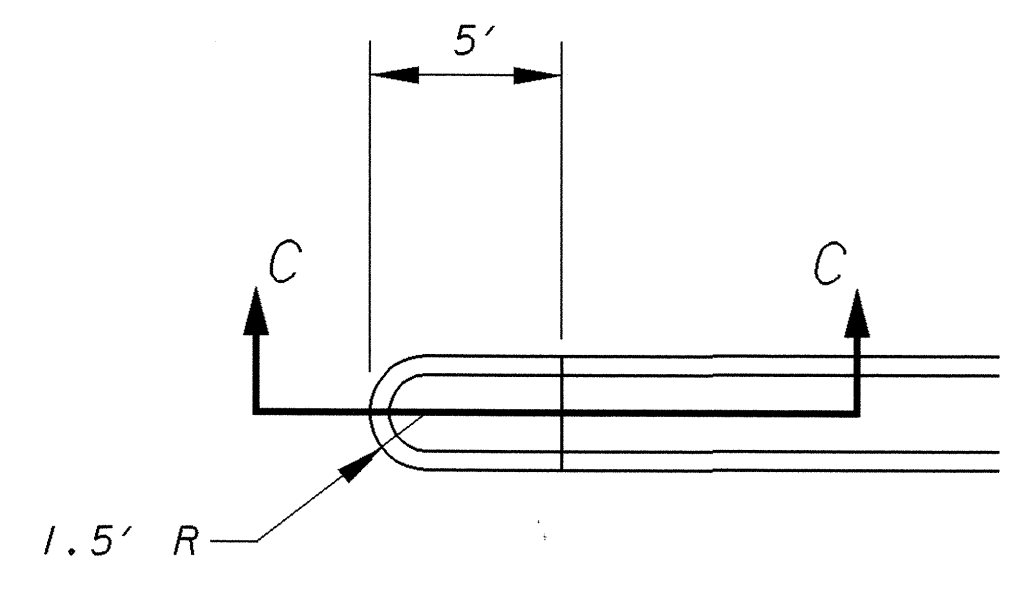
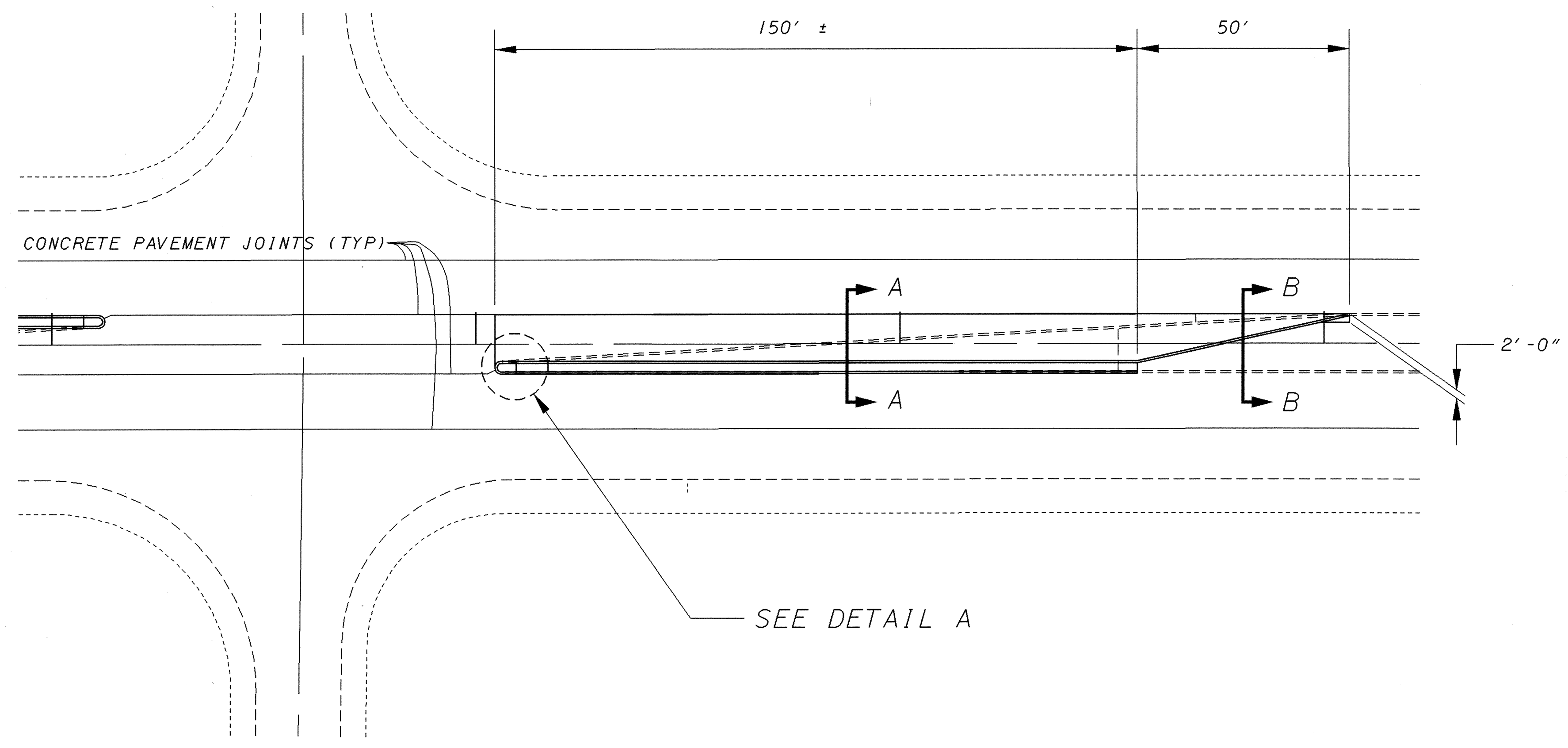


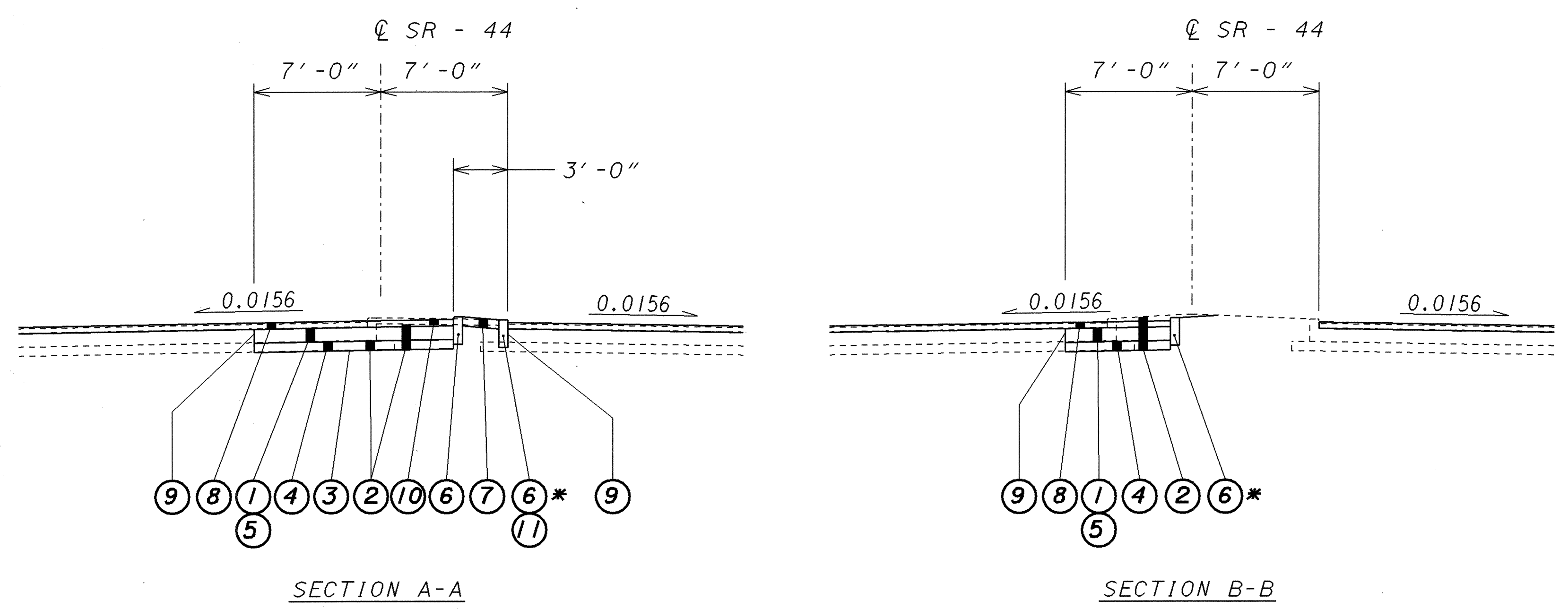
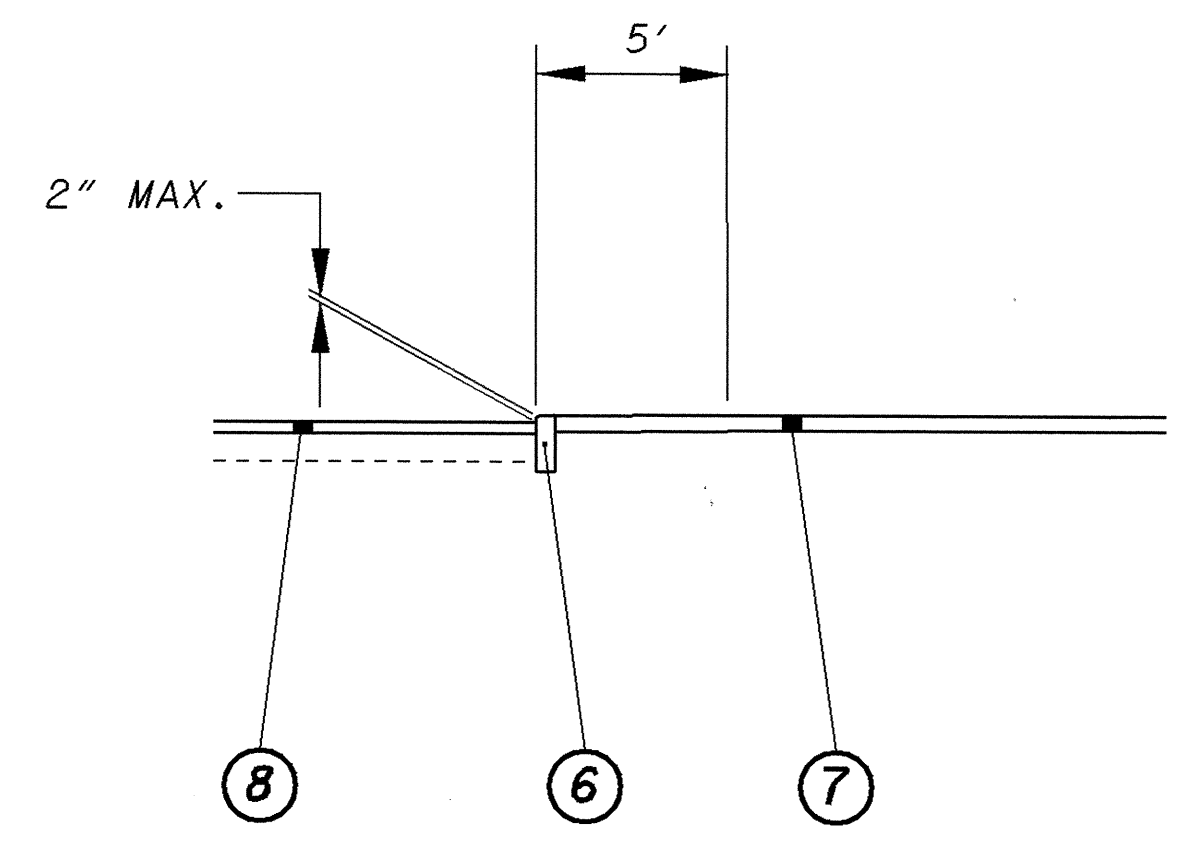
CALCULATED
EMK
CHECKED
LDH

LEFT TURN LANE DETAIL

LAKE COUNTY
LAK-2/44-13.05/4.14



DETAIL A



- ① ITEM 202 - PAVEMENT REMOVED
- ② ITEM 203 - EXCAVATION NOT INCLUDING EMBANKMENT CONSTRUCTION
- ③ ITEM 203 - SUBGRADE COMPACTION
- ④ ITEM 304 - 6" AGGREGATE BASE, AS PER PLAN
- ⑤ ITEM 305 - 9" CONCRETE BASE, AS PER PLAN
- ⑥ ITEM 830 - CURB, TYPE 6
- ⑦ ITEM 830 - CONCRETE MEDIAN
- ⑧ ITEM 858 - 3-1/2" ASPHALT CONCRETE OVERLAY (SEE TYPICALS)
- ⑨ ITEM 255 - FULL DEPTH PAVEMENT SAWING
- ⑩ ITEM 202 - CONCRETE MEDIAN REMOVED
- ⑪ ITEM 202 - CURB REMOVED

* - PLACE PROPOSED CURB AT SAME HEIGHT AS EXISTING CURB TO ENSURE CONSTANT REVEAL AFTER OVERLAY (2-1/2" ±)

FOR QUANTITIES, SEE SHEET 32.

PLOTTED FROM: I:\PROJECTS\PI\18391\dgn\18391gmc.dgn