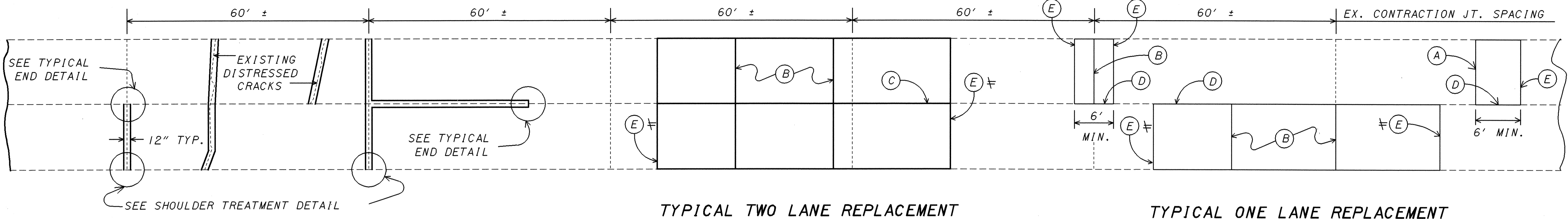


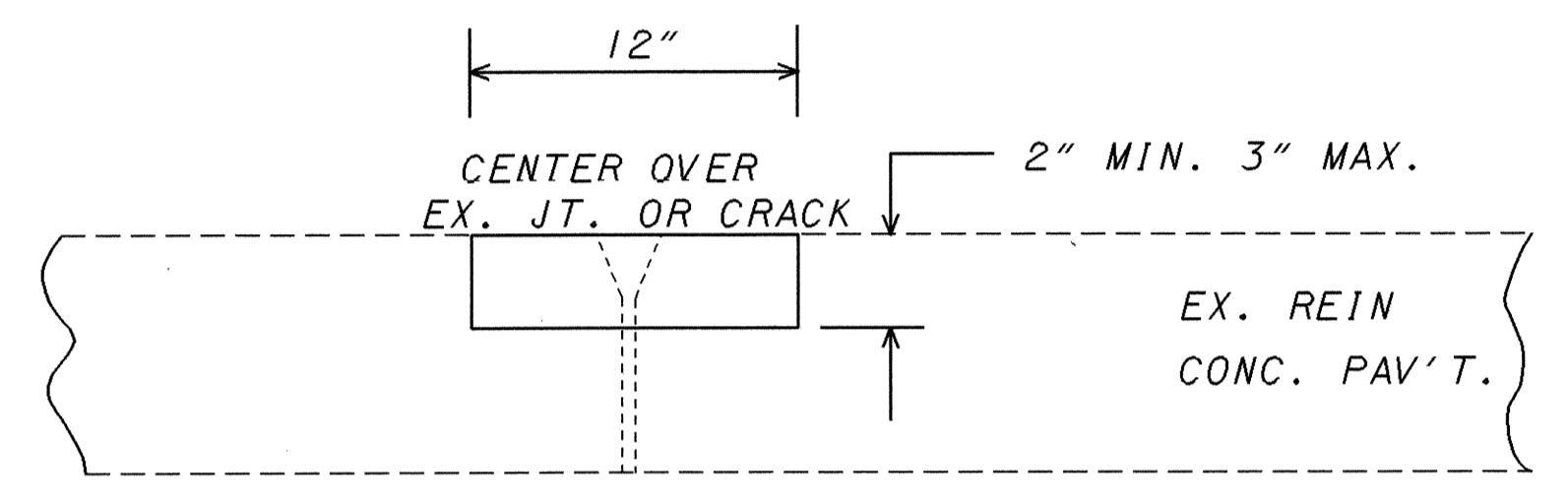
DIRECTION OF TRAFFIC →



**PARTIAL DEPTH JOINT OR CRACK REPAIR**

**TYPICAL TWO LANE REPLACEMENT**

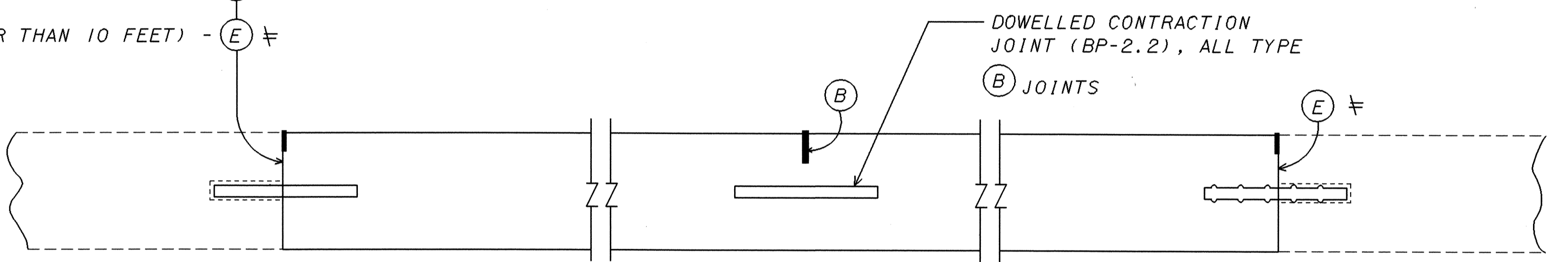
**TYPICAL ONE LANE REPLACEMENT**



**ITEM 251 - PARTIAL DEPTH PAV'T REPAIR**

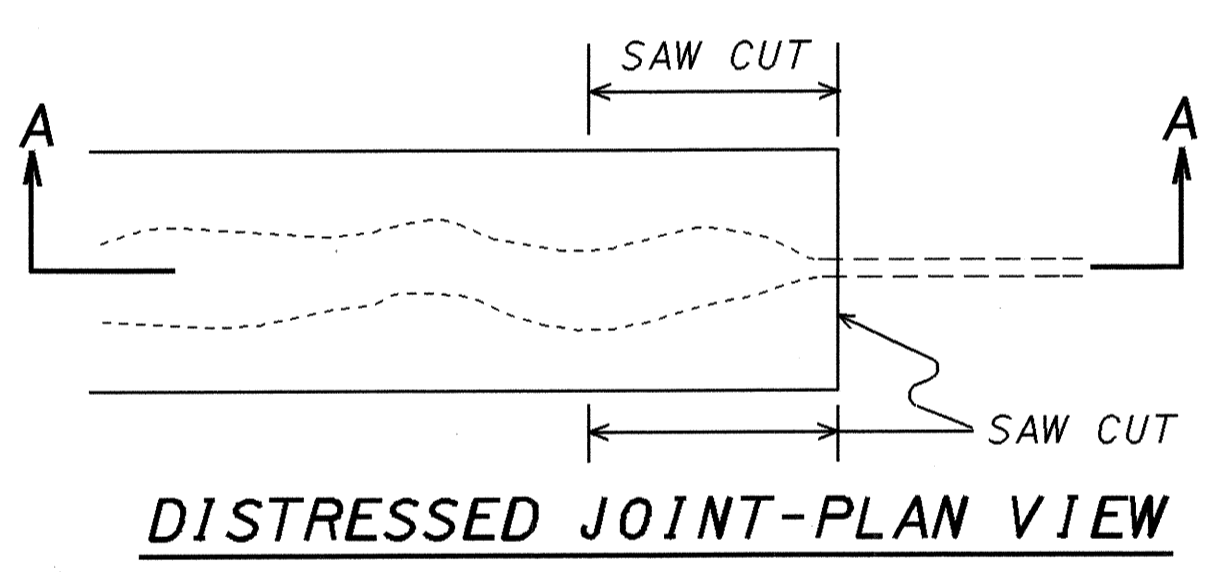
- CRACK REPAIRS (NO JOINT WITHIN REPAIR) - (A)
- JOINT REPAIRS (LESS THAN 10 FEET) - (E)
- PANEL REPAIRS (GREATER THAN 10 FEET) - (E) ≠

≠ USE (A) JOINT IF EITHER ADJACENT (EXISTING OR PROPOSED) CONTRACTION JOINT IS FARTHER THAN 20 FEET.

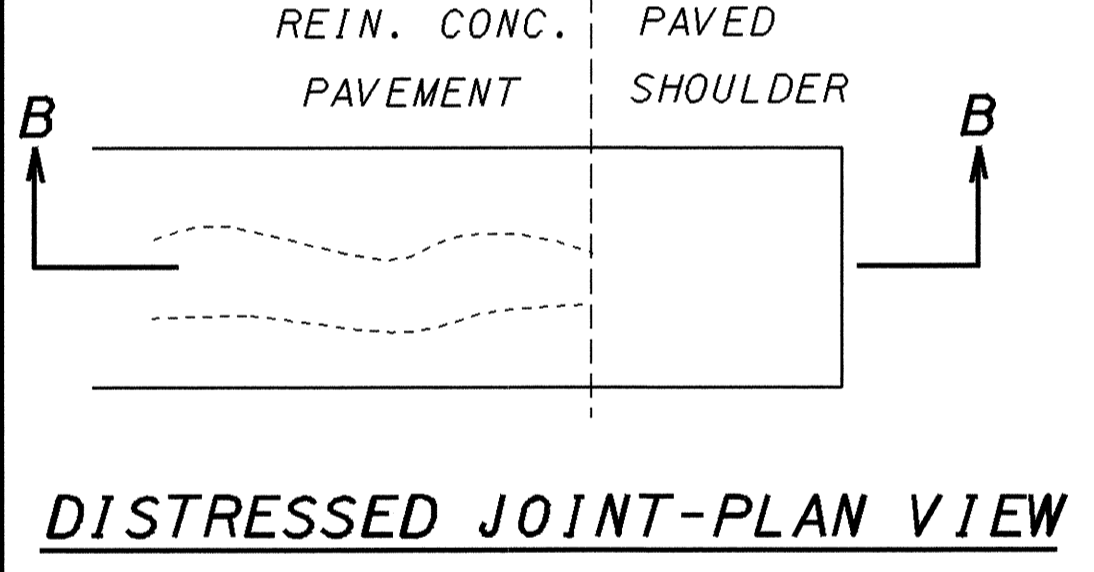


**ITEM 255 - FULL DEPTH RIGID PAVEMENT REMOVAL AND RIGID REPLACEMENT**

SEE GENERAL NOTES ON SHEET 13 FOR ADDITIONAL INFORMATION.



**DISTRESSED JOINT-PLAN VIEW**



**SHOULDER TREATMENT DETAIL**

SECTION A-A  
**TYPICAL END DETAIL**  
NO SEPARATE PAYMENT WILL BE MADE FOR THESE SAW CUTS

SECTION B-B  
**SHOULDER TREATMENT DETAIL**  
MEASURED QUANTITY SHALL NOT INCLUDE THE PAVED SHOULDER AREA

SEE GENERAL NOTES ON SHEET NO. 13 FOR ADDITIONAL INFORMATION.

**LEGEND**

- (A) TYPE Y DOWELLED REPAIR JOINTS, AS PER BP-2.5
- (B) SAWED CONTRACTION JOINT AS PER BP-2.2, WITH DOWELS, MAX. SPACING 20' C/C FOR ONE LANE REPLACEMENTS ALIGN JOINT WITH EXISTING CRACKS IN THE ADJACENT LANE WHENEVER POSSIBLE. (EX. CRACKS OCCUR APPROX. 15' C/C)
- (C) LONGITUDINAL BUTT JOINT AS PER BP-2.1 (USING HOOK BOLTS)
- (D) TYPE D JOINT AS PER BP-2.1 FOR PATCHES 10' OR GREATER IN LENGTH
- (E) TYPE T TIED REPAIR JOINT, AS PER BP-2.5

**ESTIMATED QUANTITY \***

ITEM 251 - PARTIAL DEPTH PAVEMENT REPAIR, AS PER PLAN 1, 200 SQ. YD.

\* QUANTITY ESTIMATES ARE BASED ON VISUAL INSPECTION. AN ADDITIONAL 5% WAS ADDED TO THE REPAIR AREA TO COMPENSATE FOR ANY ROADWAY DETERIORATION THAT MAY OCCUR BETWEEN THE TIME OF PLAN PREPARATION AND ACTUAL CONSTRUCTION.

VISUAL SURVEY DATE - 5/15/00

SR- 2, EXISTING 10" PORTLAND CEMENT CONCRETE SURFACE AREA - 39,000 S. Y.  
SR-44, EXISTING 9" PORTLAND CEMENT CONCRETE SURFACE AREA - 129,000 S. Y.

ESTIMATED QUANTITIES*		
ITEM 255	FULL DEPTH RIGID PAVEMENT REMOVAL AND RIGID REPLACEMENT, CLASS C, AS PER PLAN A	5500 SQ.YD.
ITEM 255	FULL DEPTH RIGID PAVEMENT REMOVAL AND RIGID REPLACEMENT, CLASS C, AS PER PLAN B	1150 SQ.YD.
ITEM 255	FULL DEPTH RIGID PAVEMENT REMOVAL AND RIGID REPLACEMENT, CLASS C, AS PER PLAN C	2060 SQ.YD.
ITEM 255	FULL DEPTH RIGID PAVEMENT REMOVAL AND RIGID REPLACEMENT, CLASS C, AS PER PLAN D	350 SQ.YD.
ITEM 255	FULL DEPTH RIGID PAVEMENT REMOVAL AND RIGID REPLACEMENT, CLASS MS, AS PER PLAN A	1150 SQ.YD.
ITEM 255	FULL DEPTH RIGID PAVEMENT REMOVAL AND RIGID REPLACEMENT, CLASS MS, AS PER PLAN B	60 SQ.YD.
ITEM 255	FULL DEPTH RIGID PAVEMENT REMOVAL AND RIGID REPLACEMENT, CLASS MS, AS PER PLAN C	320 SQ.YD.
ITEM 255	FULL DEPTH RIGID PAVEMENT REMOVAL AND RIGID REPLACEMENT, CLASS MS, AS PER PLAN D	60 SQ.YD.
ITEM 255	FULL DEPTH RIGID PAVEMENT REMOVAL AND RIGID REPLACEMENT, CLASS FS, AS PER PLAN A	3000 SQ.YD.
ITEM 255	FULL DEPTH RIGID PAVEMENT REMOVAL AND RIGID REPLACEMENT, CLASS FS, AS PER PLAN B	240 SQ.YD.
ITEM 255	FULL DEPTH PAVEMENT SAWING	44,000 LIN. FT.
ITEM 203	EXCAVATION NOT INCLUDING EMBANKMENT CONSTRUCTION	50 CU. YD.
ITEM 304	AGGREGATE BASE, AS PER PLAN	50 CU. YD.

PLOTTED FROM: I:\PROJECTS\18391\dgn\18391qmb.dgn