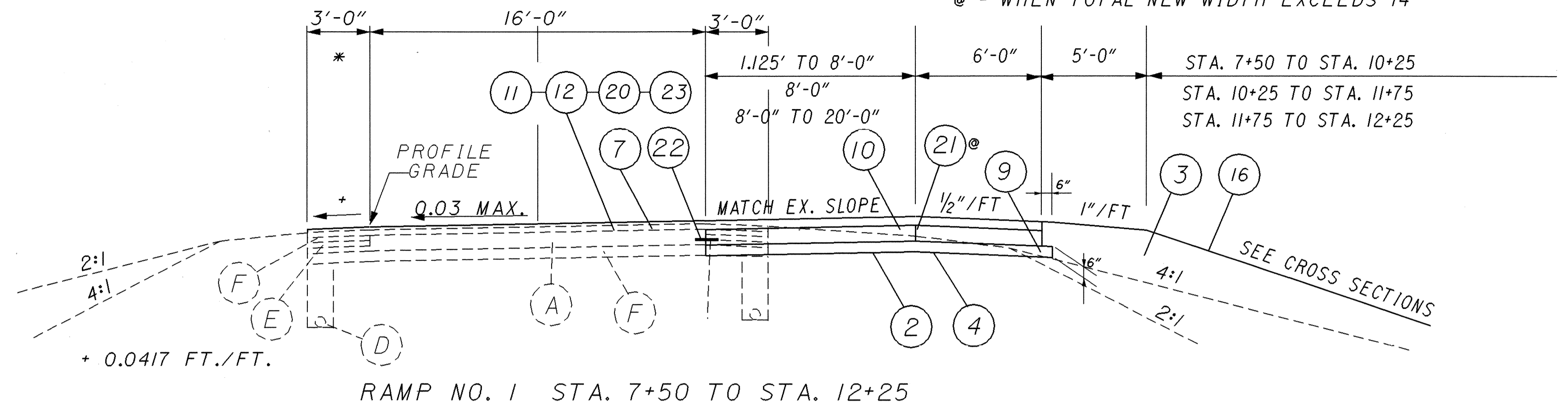
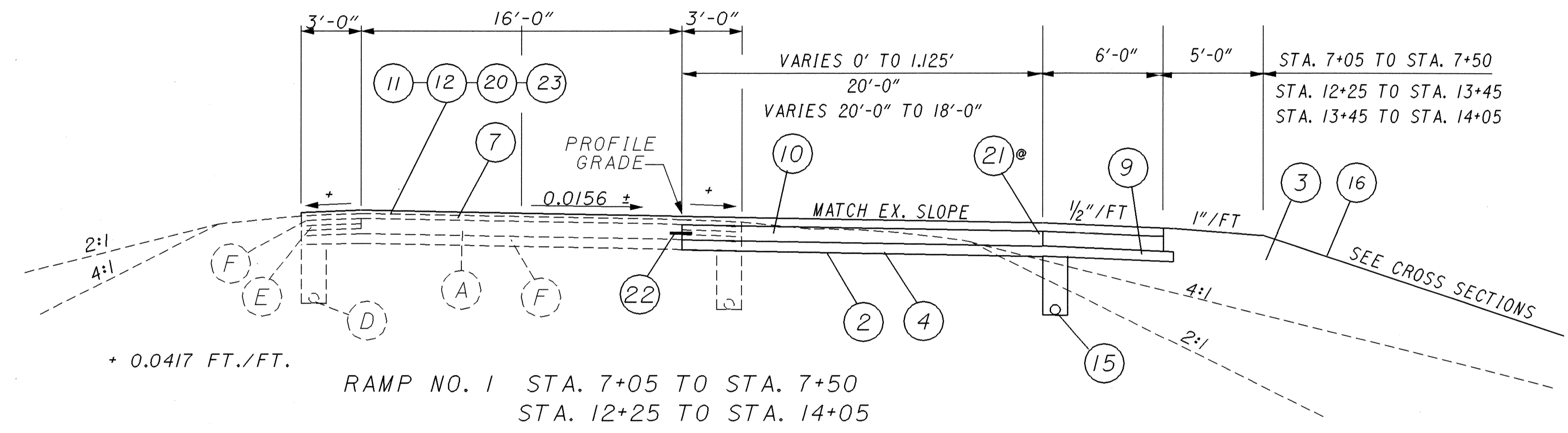


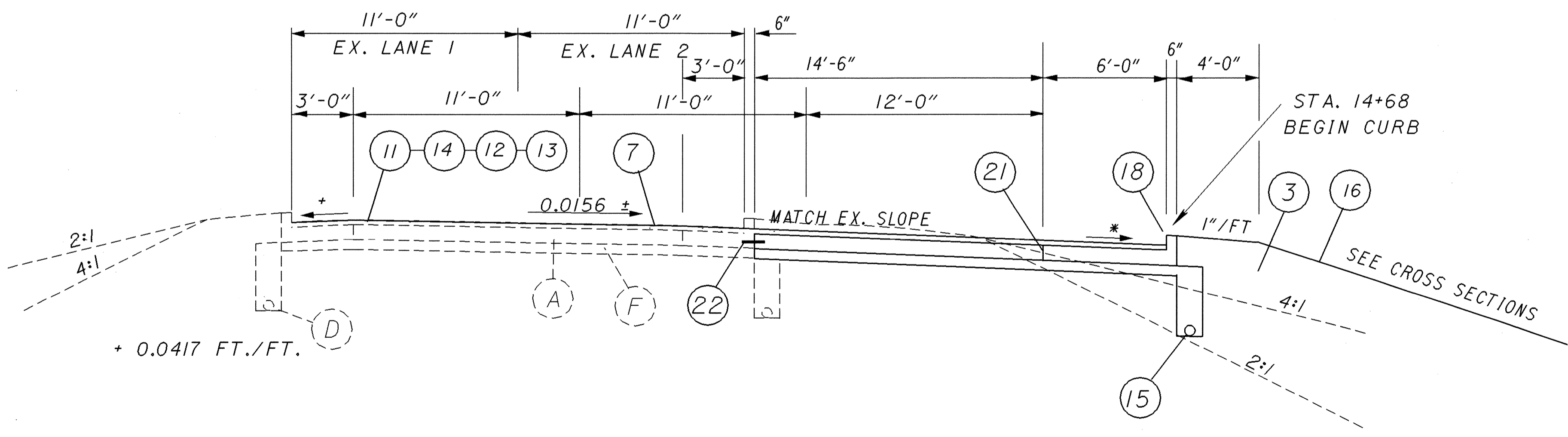
© - WHEN TOTAL NEW WIDTH EXCEEDS 14'



RAMP NO. 1 STA. 7+50 TO STA. 12+25



RAMP NO. 1 STA. 7+05 TO STA. 7+50
STA. 12+25 TO STA. 14+05



RAMP NO. 1 STA. 14+05 TO STA. 15+20±

* - VARIES, 1/2\"/>

I:\PROJECTS\Pid18391\B&N\PLANS\21365GY.DGN 14-AUG-2001 12:54PM fkonopka

RAMP NO. 1 TYPICAL SECTIONS

LAKE COUNTY
LAK-2/ 44-13.05/ 4.14