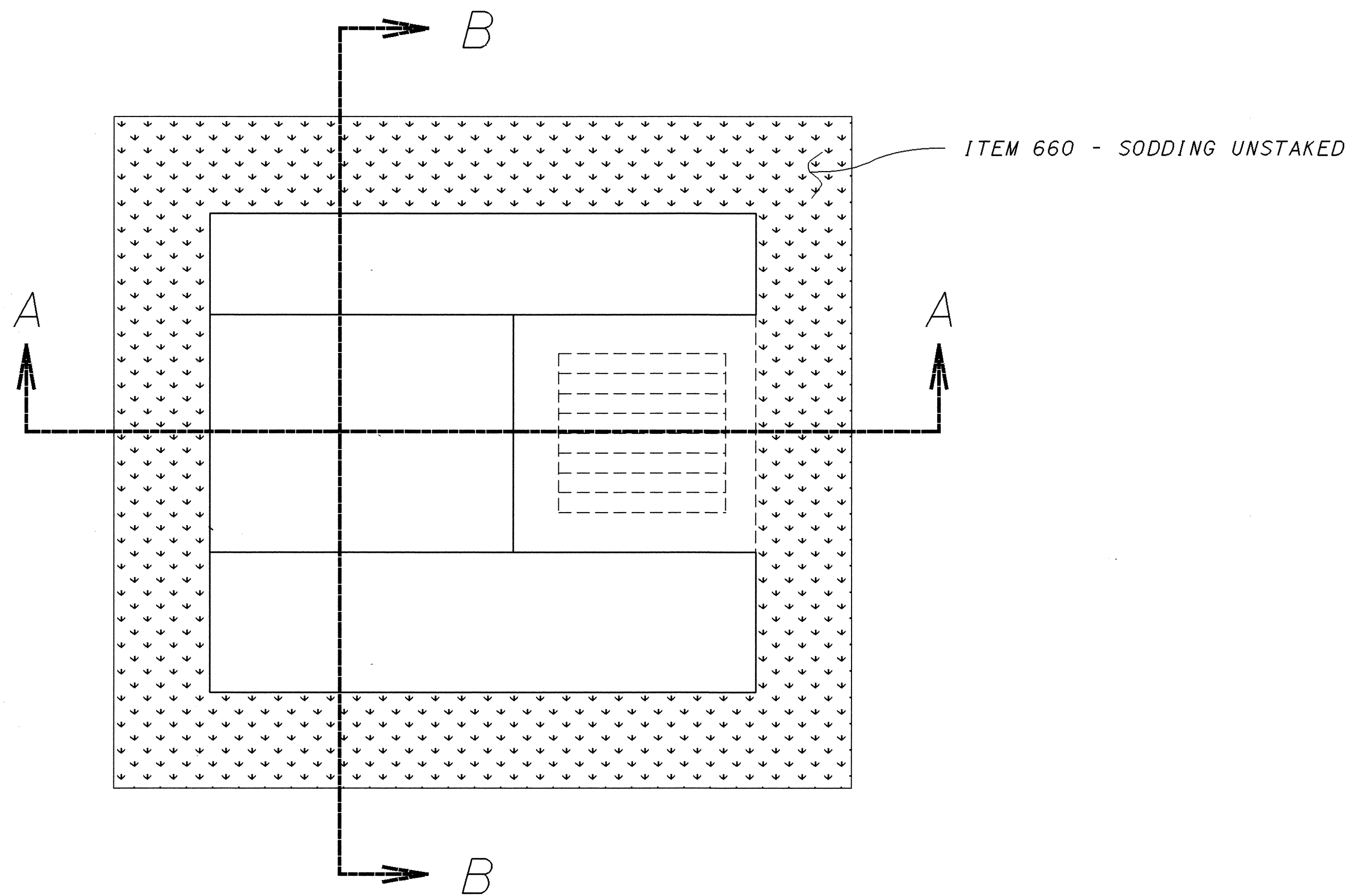
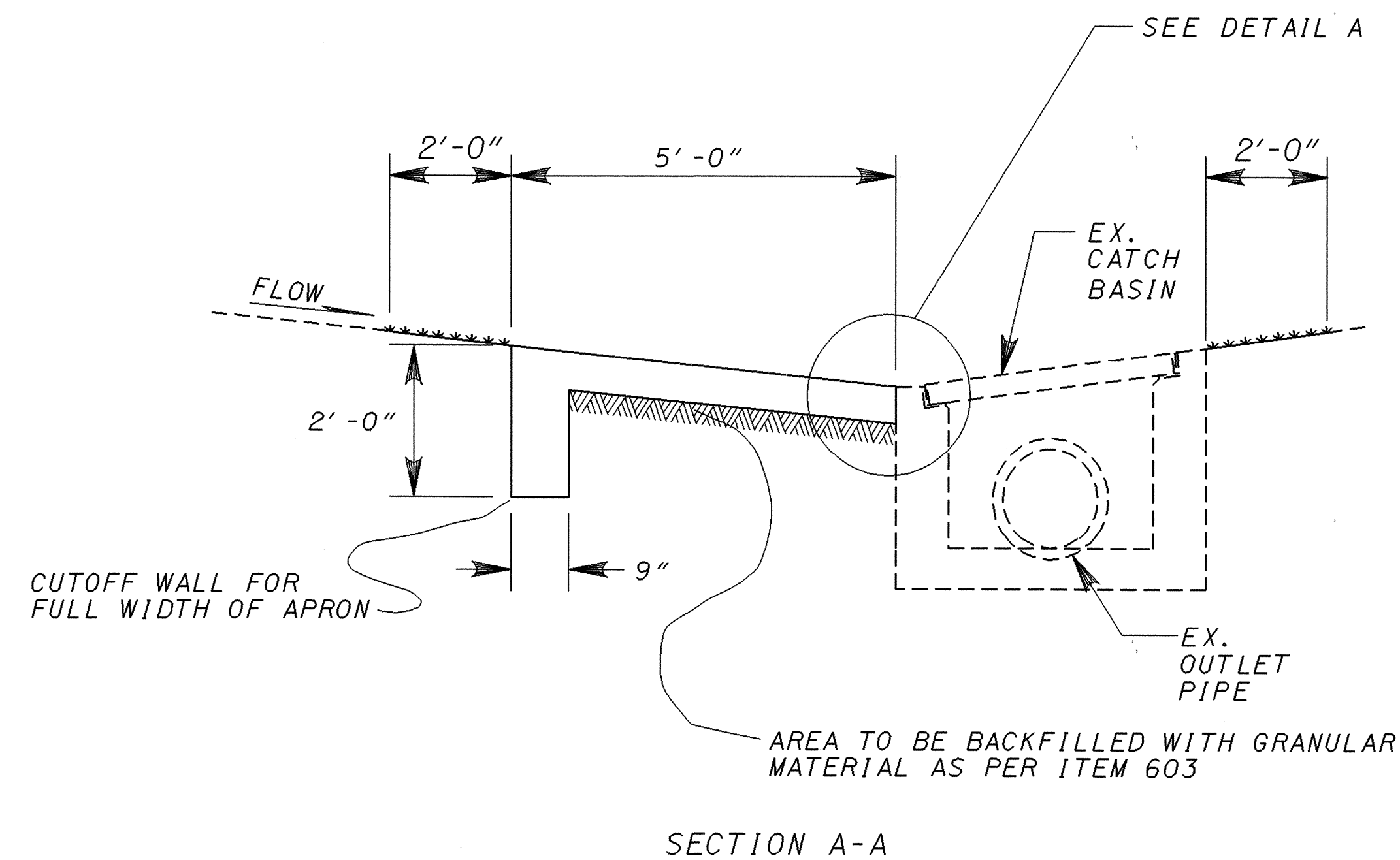


ITEM SPECIAL - MISC.: CONCRETE APRON REPLACEMENT FOR EXISTING NO. 5 CATCH BASIN



CATCH BASIN APRON PLAN VIEW



SECTION A-A

NOTE:

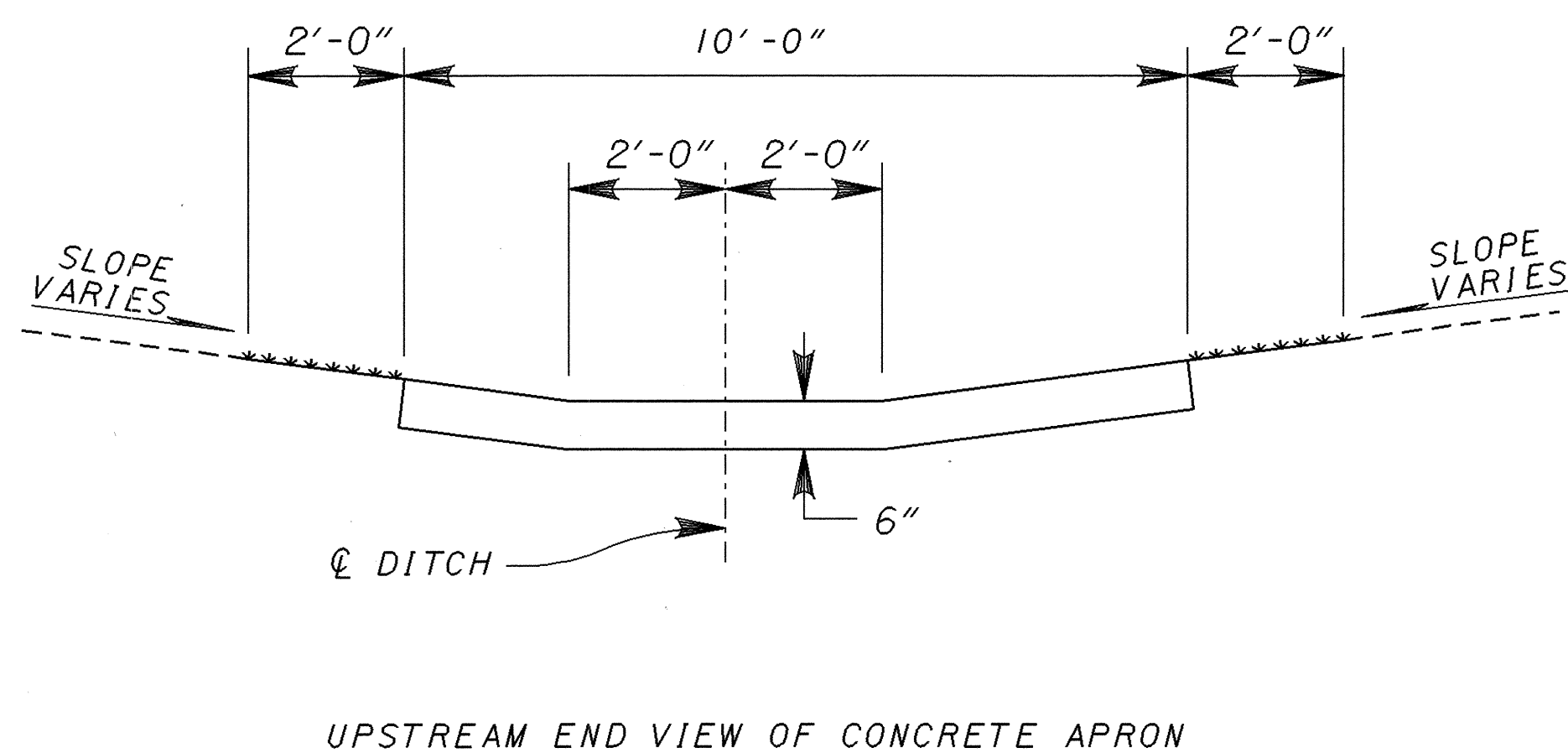
THE CONCRETE APRON SHALL BE DOWELED INTO THE CATCH BASIN. THE NUMBER OF BARS NEEDED ALONG THE UPSTREAM SIDE OF THE NO. 5 CATCH BASIN IS 4. FOR A NO. 5 CATCH BASIN IN A SAG, THE NUMBER OF BARS SHALL BE 8.

THE FURNISHING AND PLACING OF STEEL FOR THE 5/8" x 12" DOWEL BARS SHALL BE PER SECTION 509 OF THE CONSTRUCTION AND MATERIAL SPECIFICATIONS. THE DOWEL BARS SHALL BE EPOXY COATED PER 509.10. THE DOWEL BARS SHALL BE INSTALLED PER SECTION 510. THE 6" CONCRETE APRON SHALL BE REINFORCED PER SECTION 601.04(3).

SEE SHEET 32 QUANTITIES

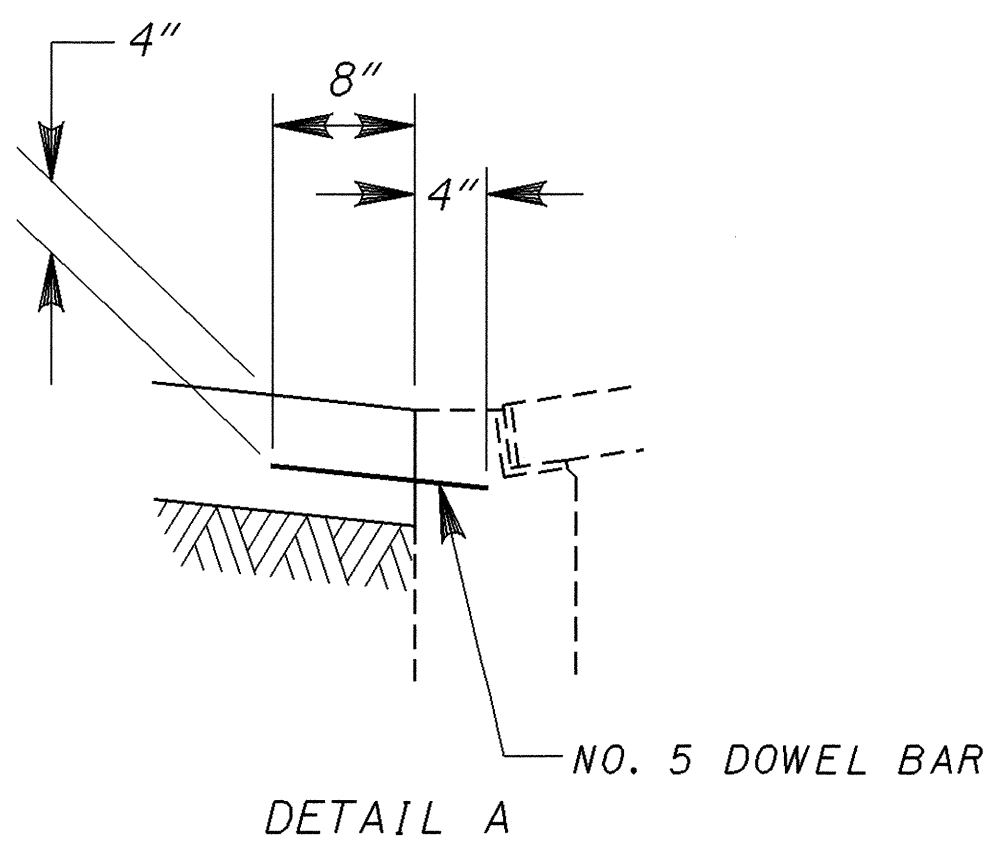
THE FOLLOWING ESTIMATED QUANTITY SHALL BE USED AS DIRECTED BY THE ENGINEER TO REPLACE APRONS THAT ARE CURRENTLY DAMAGED OR NEED TO BE REPLACED DUE TO UNDERDRAIN PLACEMENT:

ITEM SPECIAL - MISC: CONCRETE APRON REPLACEMENT FOR EXISTING NO. 5 CATCH BASIN 600 SQ. FT.



UPSTREAM END VIEW OF CONCRETE APRON

SECTION B-B



DETAIL A

PLOTTED FROM: I:\PROJECTS\18391\dgn\18391cme.dgn

CALCULATED
EMK
CHECKED
ENF

MISCELLANEOUS DRAINAGE DETAIL

LAKE COUNTY
LAK-2/ 44-13.05/ 4.14

50
93