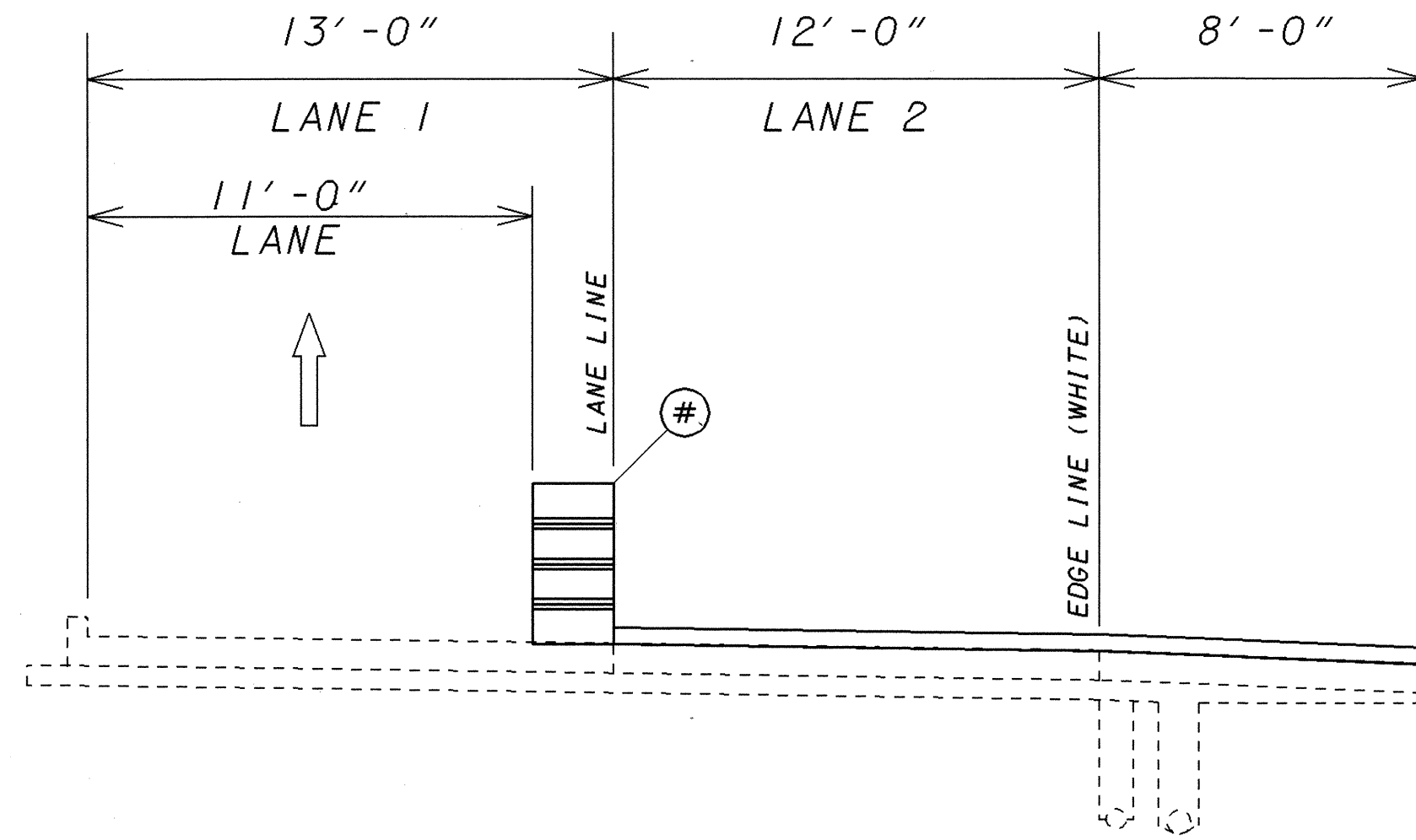


PHASE V (1 LANE OPEN)



CLOSE LANE 2

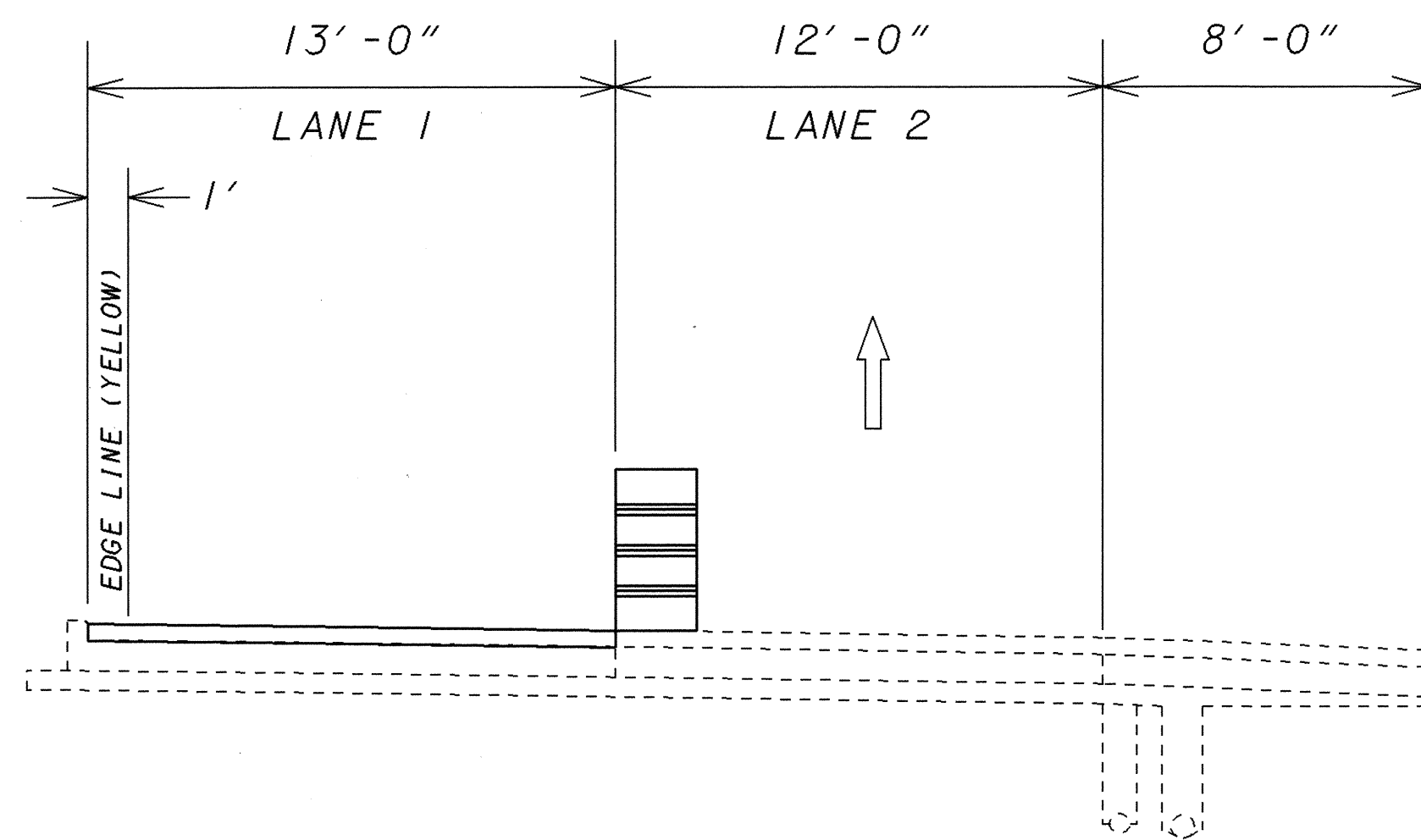
LONG TERM CLOSURE

PLACE ITEM 858 - ASPHALT CONCRETE
PLACE PAVEMENT MARKINGS

- MOVE DRUM 2' FROM TEMP EDGE LINE WHEN NOT WORKING
IN LANE 1 (SEE PHASE IV)

NOTE: IT IS THE INTENT OF THIS CONTRACT TO LIMIT THE TIME THAT TRAFFIC WILL TRAVEL ON THE EXISTING CONCRETE PAVEMENT THEREFORE, THE CONTRACTOR MAY PLACE INTERMEDIATE ASPHALT COURSE(S) (ITEM 858) PRIOR TO PHASE III.

PHASE VI (1 LANE OPEN)



CLOSE LANE 1

LONG TERM CLOSURE

PLACE ITEM 858 - ASPHALT CONCRETE
PLACE PAVEMENT MARKINGS

PLOTTED FROM: I:\PROJECTS\Prj18391\dgn\18391mdb.dgn

CALCULATED
EMK
CHECKED
LDH

MAINTENANCE OF TRAFFIC DETAILS S.R. - 44
SECTION 2

LAKE COUNTY
LAK-2/44-13.05/4.14

24
93