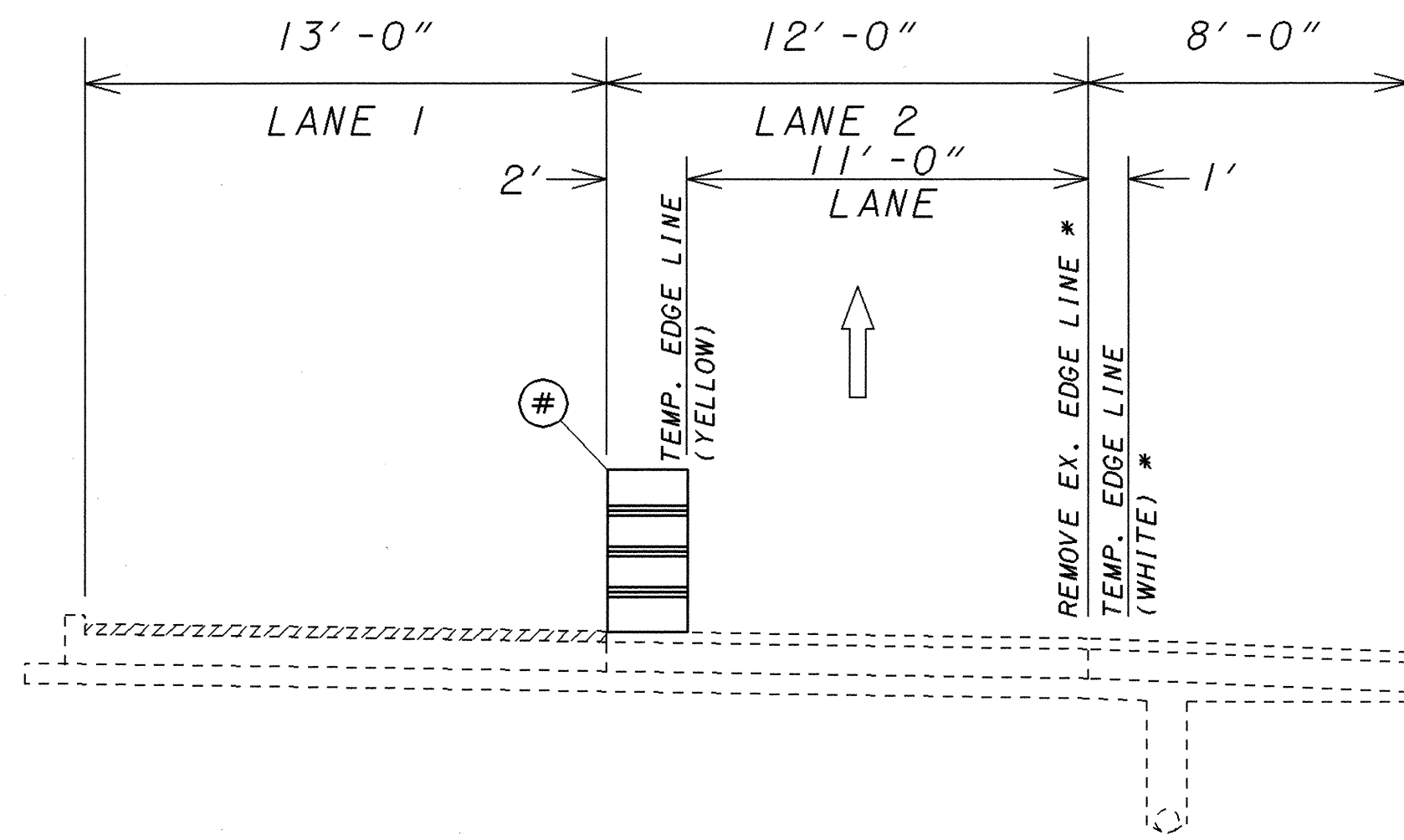


PHASE I (1 LANE OPEN)

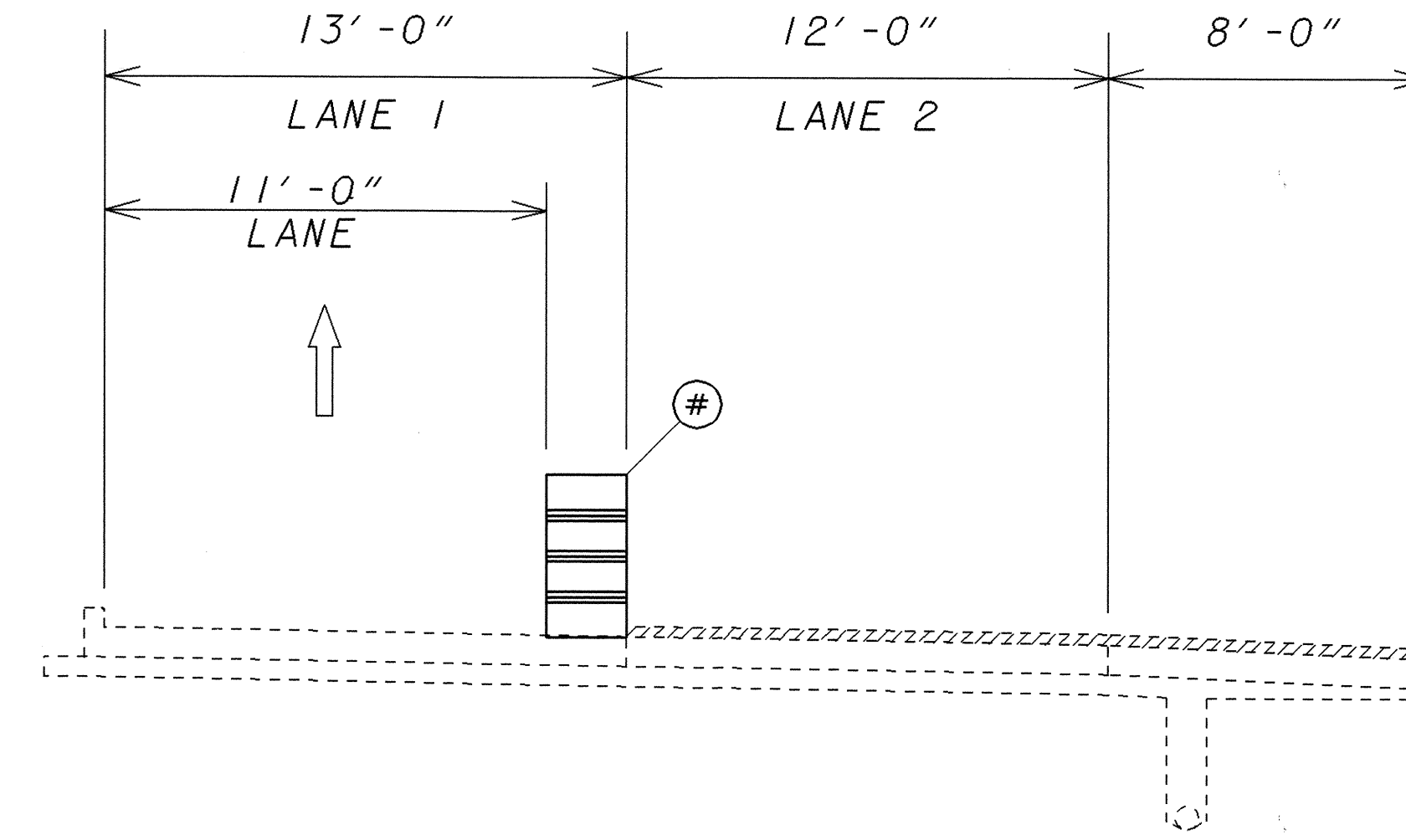


CLOSE LANE 1  
LONG TERM CLOSURE

PLANE LANE 1  
PLACE TEMPORARY PAVEMENT MARKINGS

- # - MOVE DRUM 2' FROM TEMP EDGE LINE WHEN NOT WORKING IN LANE 1 (SEE PHASE II)
- \* - PERFORM WORK PRIOR TO PHASE I

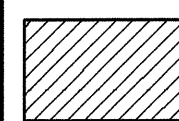
PHASE III (1 LANE OPEN)



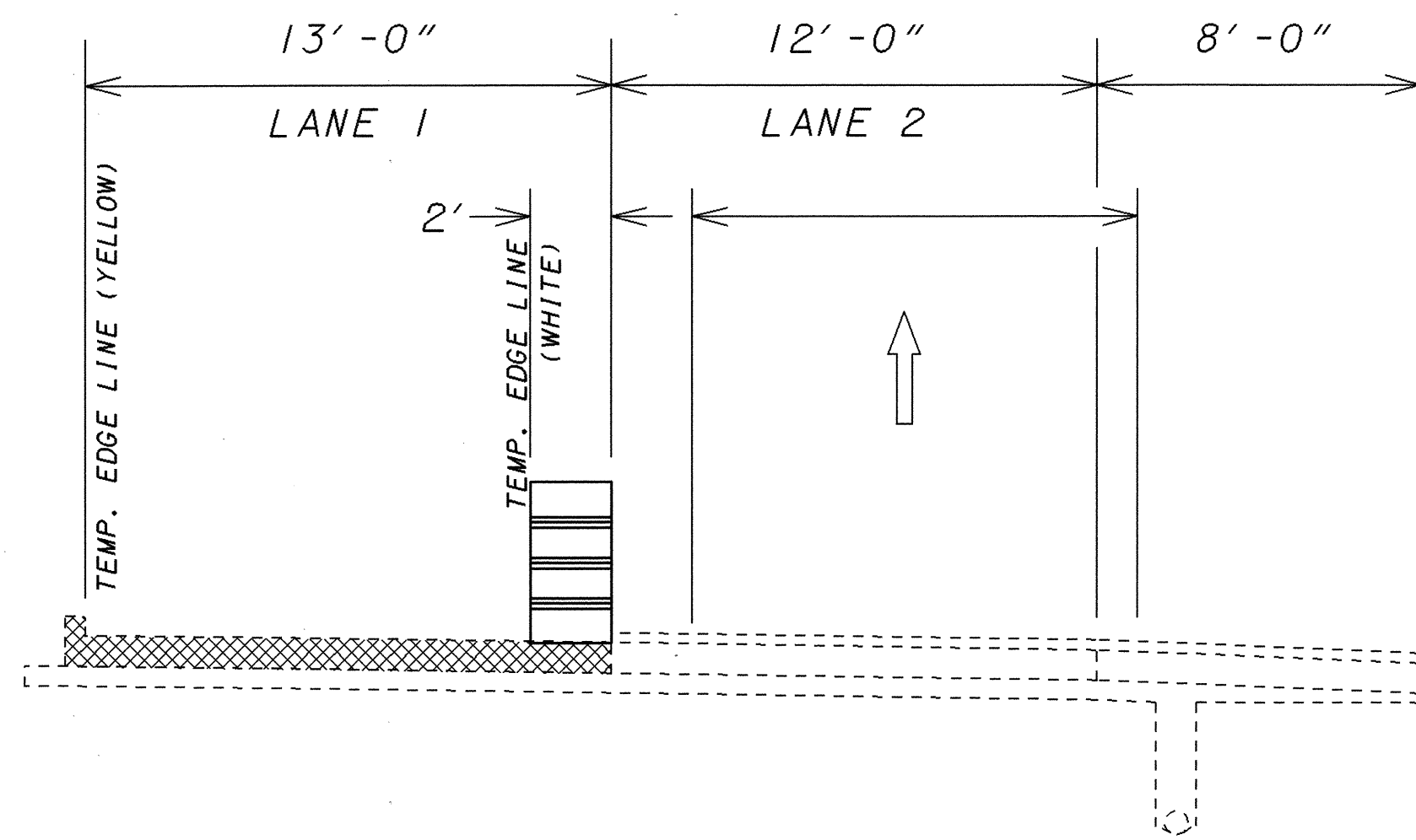
CLOSE LANE 2  
LONG TERM CLOSURE

PLANE LANE 2 AND SHOULDER

- # - MOVE DRUM 2' FROM TEMP EDGE LINE WHEN NOT WORKING IN LANE 2 (SEE PHASE IV)

 ITEM 202 - WEARING COURSE REMOVED

PHASE II (1 LANE OPEN)

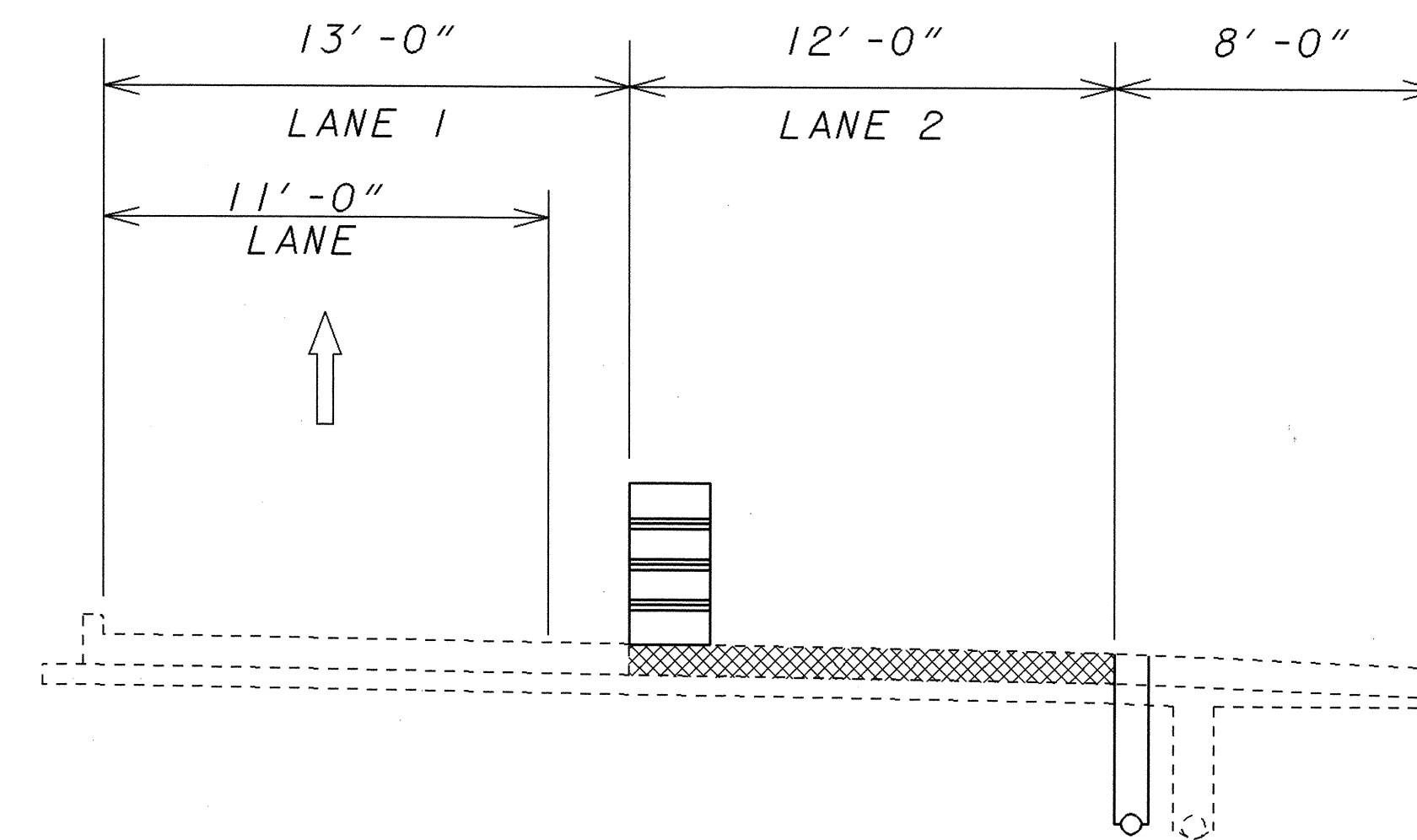


CLOSE LANE 1  
LONG TERM CLOSURE

PERFORM CONCRETE REPAIRS TO LANE 1  
PLACE TEMPORARY PAVEMENT MARKINGS


SEE NOTE ON PAGE 24.

PHASE IV (1 LANE OPEN)



CLOSE LANE 2  
LONG TERM CLOSURE

PERFORM CONCRETE REPAIRS TO LANE 2  
PLACE NEW UNDERDRAIN

 ITEM 255 - CONCRETE PAVEMENT REPAIR

PLOTTED FROM: I:\PROJECTS\PI\18391\dgn\18391mcb.dgn

CALCULATED  
EMK  
CHECKED  
LDH

MAINTENANCE OF TRAFFIC DETAILS S.R. - 44  
SECTION 2

LAKE COUNTY  
LAK-2/44-13.05/4.14