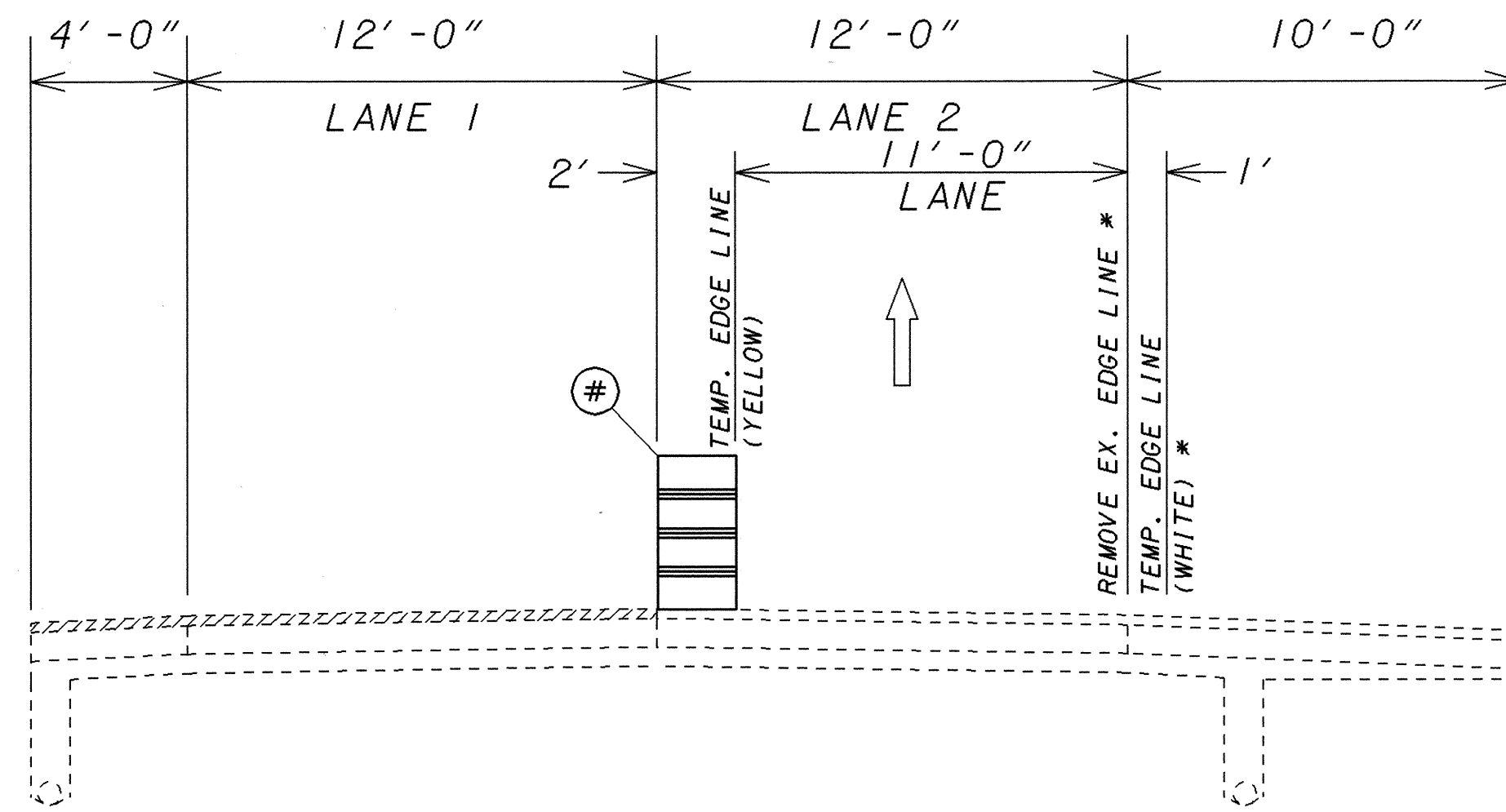


PHASE I (1 LANE OPEN)



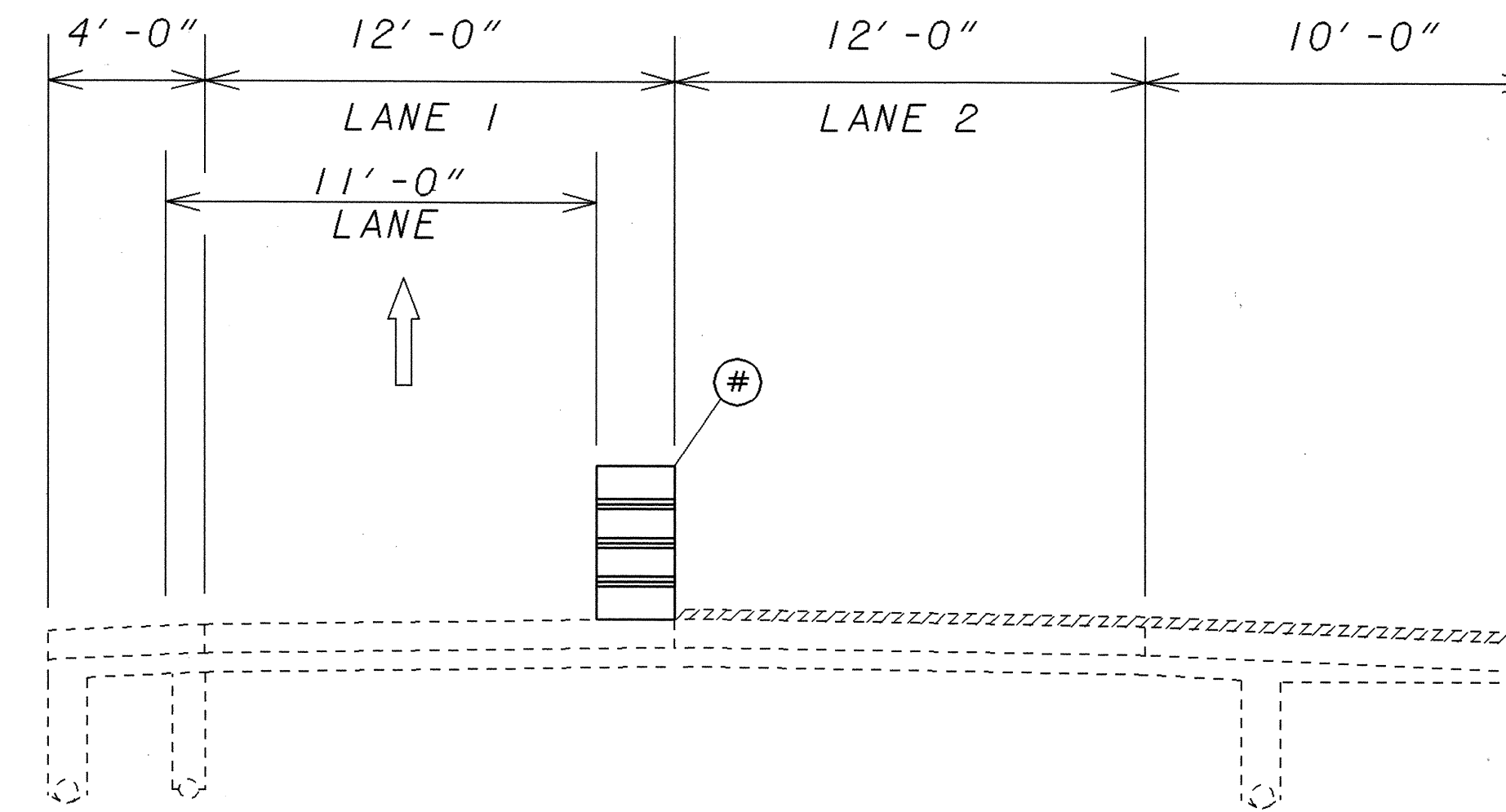
CLOSE LANE 1

LONG TERM CLOSURE

PLANE LANE 1 AND SHOULDER
PLACE TEMPORARY PAVEMENT MARKINGS

- # - MOVE DRUM 2' FROM TEMP EDGE LINE WHEN NOT WORKING IN LANE 1 (SEE PHASE II)
- * - PERFORM WORK PRIOR TO PHASE I

PHASE III (1 LANE OPEN)



CLOSE LANE 2

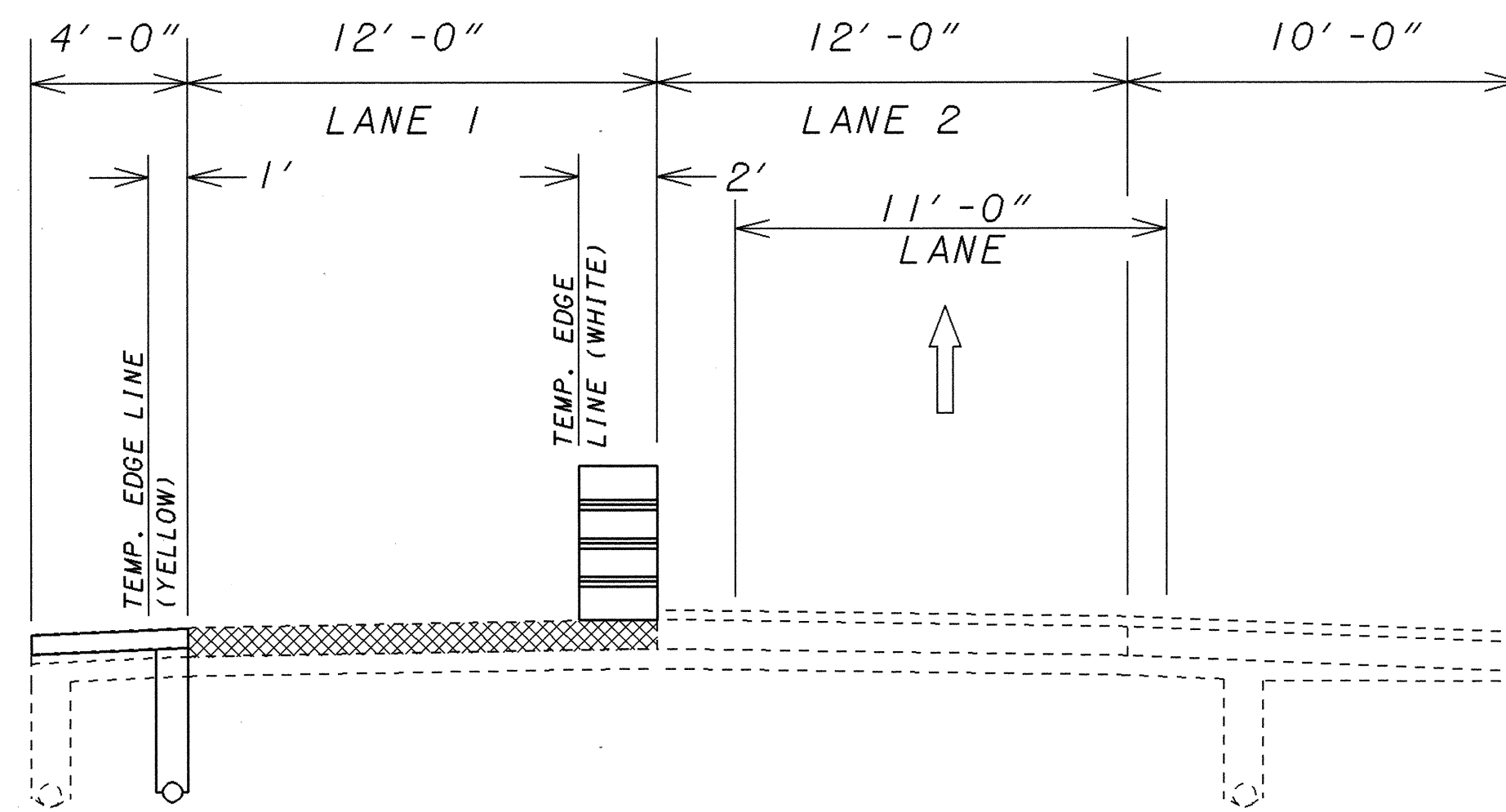
LONG TERM CLOSURE

PLANE LANE 2 AND SHOULDER

- # - MOVE DRUM 2' FROM TEMP EDGE LINE WHEN NOT WORKING IN LANE 2 (SEE PHASE IV)

ITEM 202 - WEARING COURSE REMOVED

PHASE II (1 LANE OPEN)



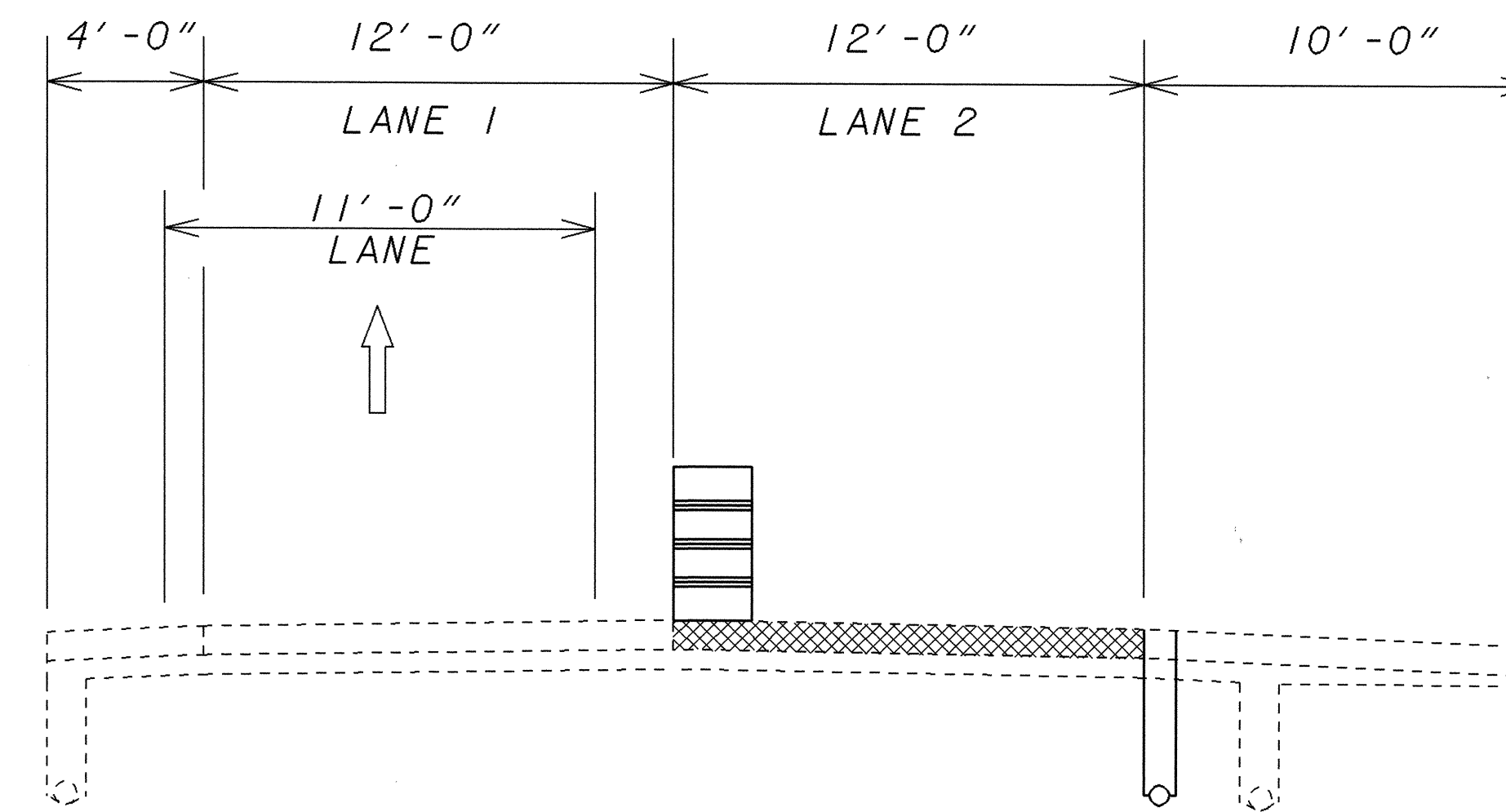
CLOSE LANE 1

LONG TERM CLOSURE

PERFORM CONCRETE REPAIRS TO LANE 1
PLACE NEW UNDERDRAIN
REPLACE LEFT SHOULDER
PLACE TEMPORARY PAVEMENT MARKINGS

SEE NOTE ON PAGE 22.

PHASE IV (1 LANE OPEN)



CLOSE LANE 2

LONG TERM CLOSURE

PERFORM CONCRETE REPAIRS TO LANE 2
PLACE NEW UNDERDRAIN

ITEM 255 - CONCRETE PAVEMENT REPAIR

PLOTTED FROM: I:\PROJECTS\18391\dgn\18391.mda.dgn

CALCULATED
EMK
CHECKED
LDH

MAINTENANCE OF TRAFFIC DETAILS S.R. - 44
SECTION 1

LAKE COUNTY
LAK-2/44-13.05/4.14