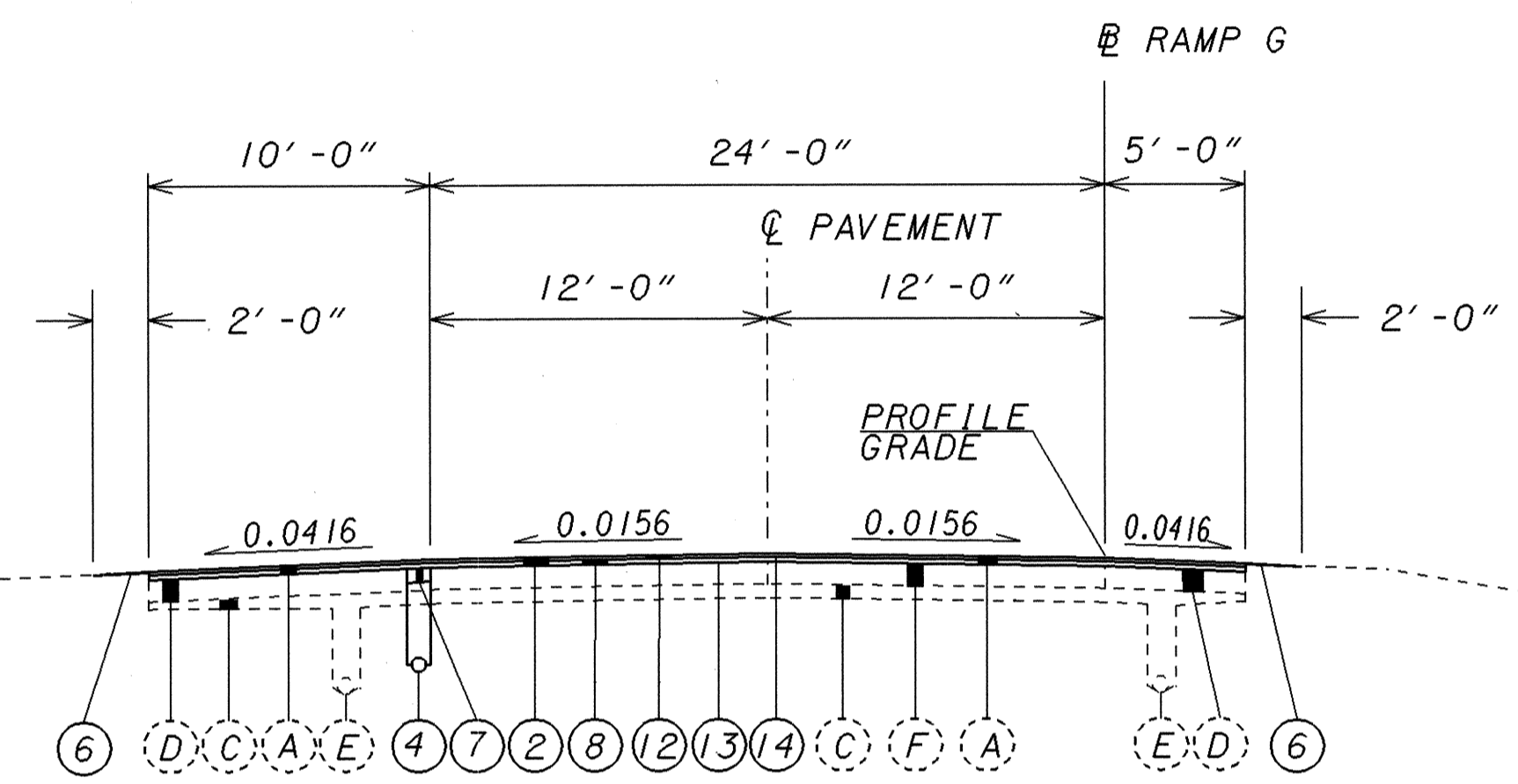
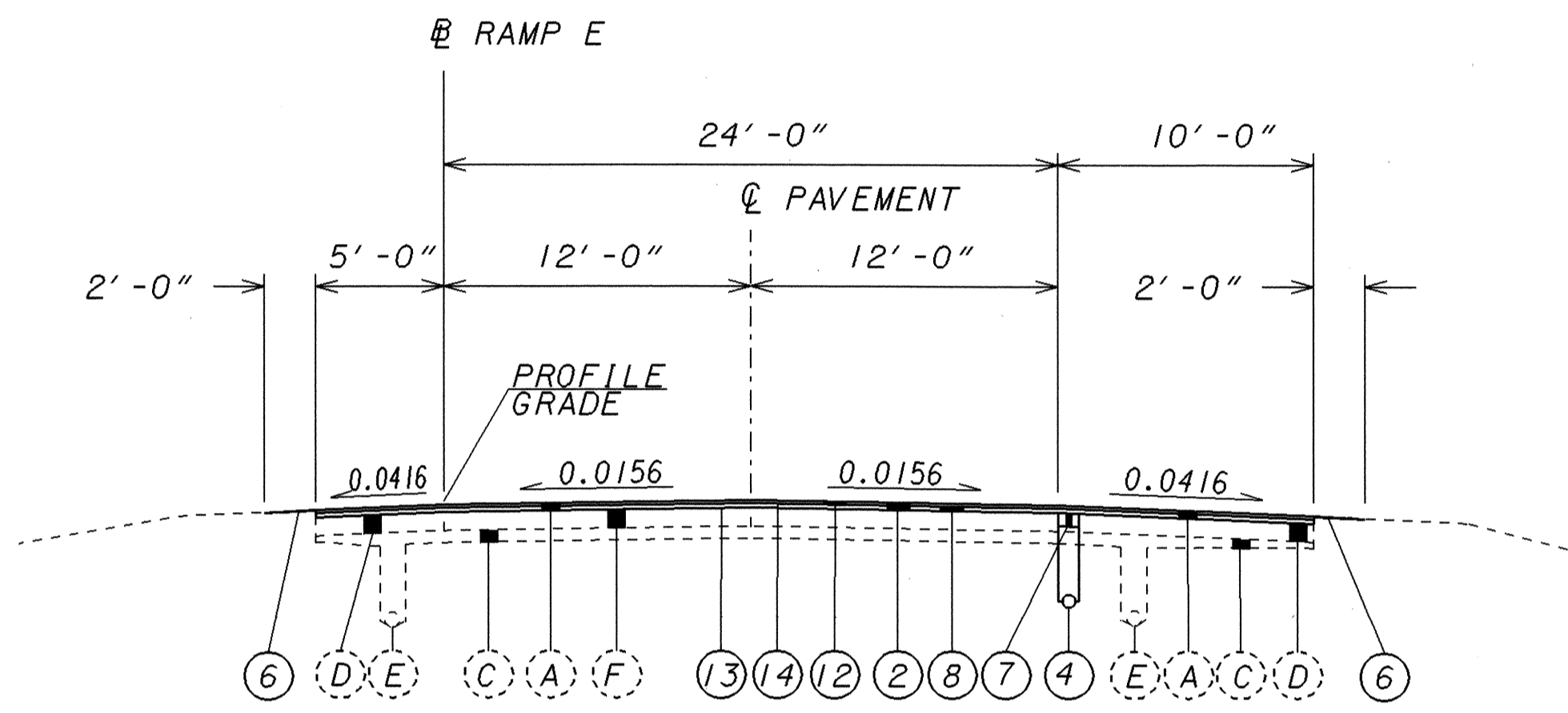


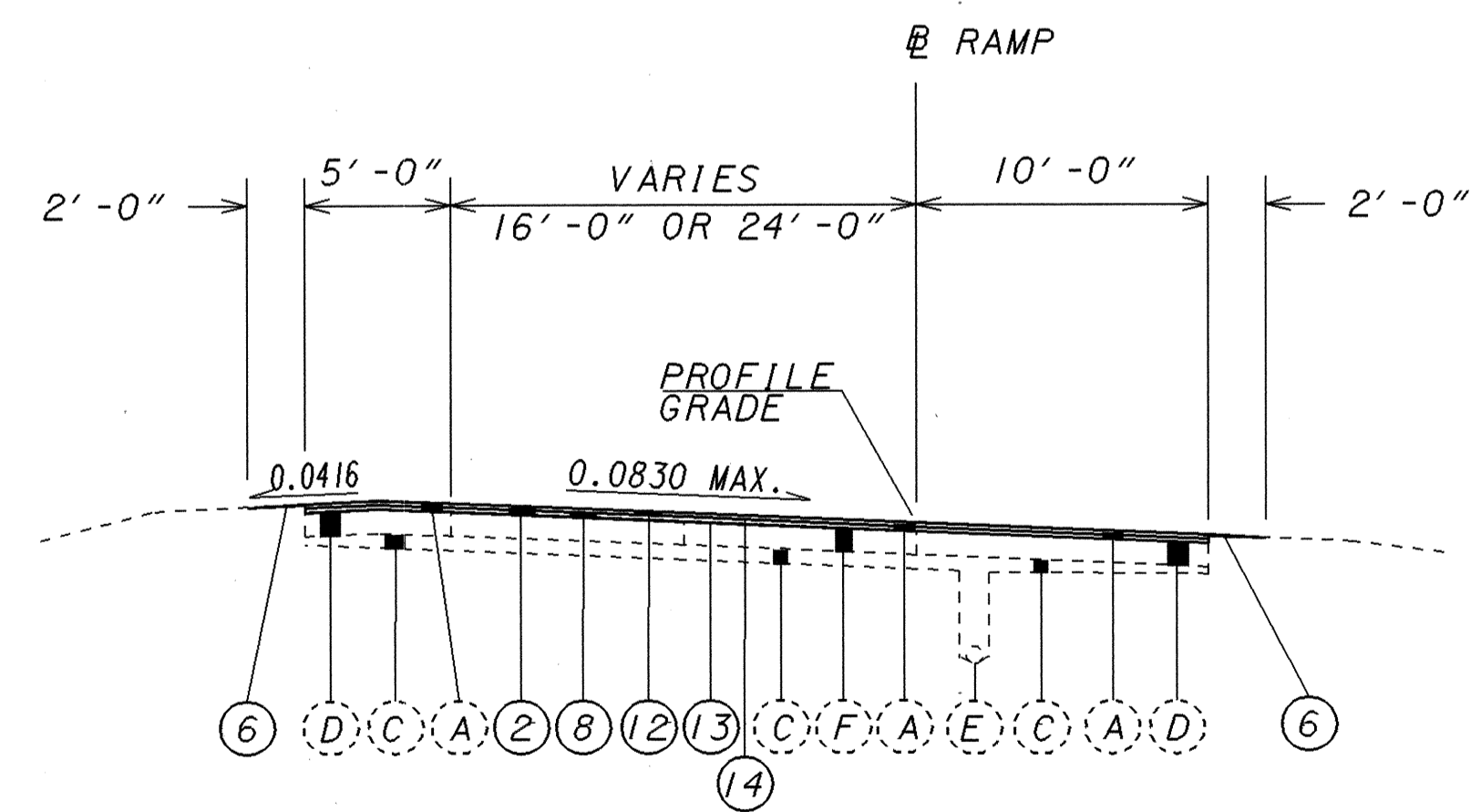
NORMAL
STA. 586+22.12 TO STA. 657+25.10 = 7,102.98 LIN. FT.



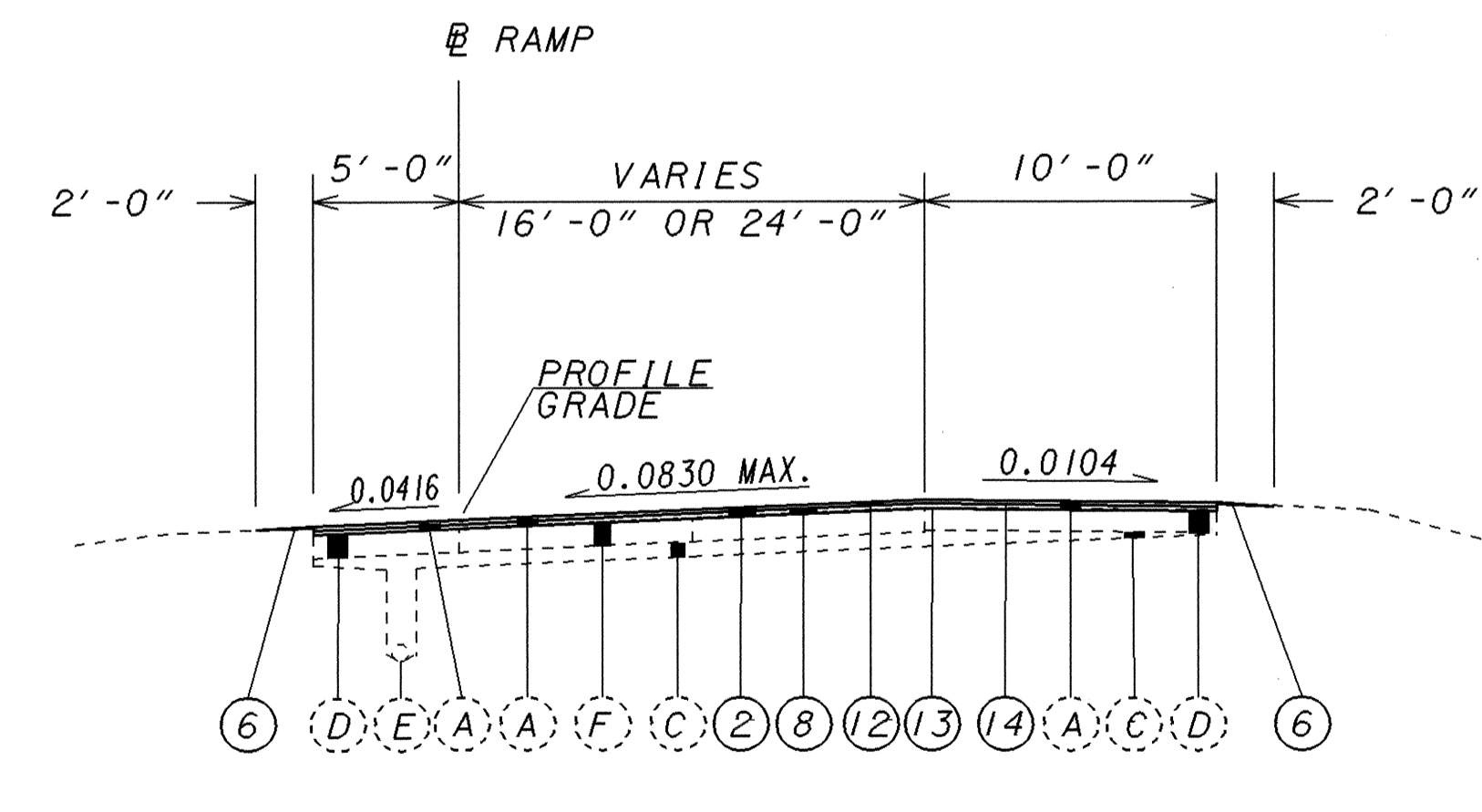
NORMAL
STA. 18+00.00 TO STA. 19+81.87 = 181.87 LIN. FT. RAMP G



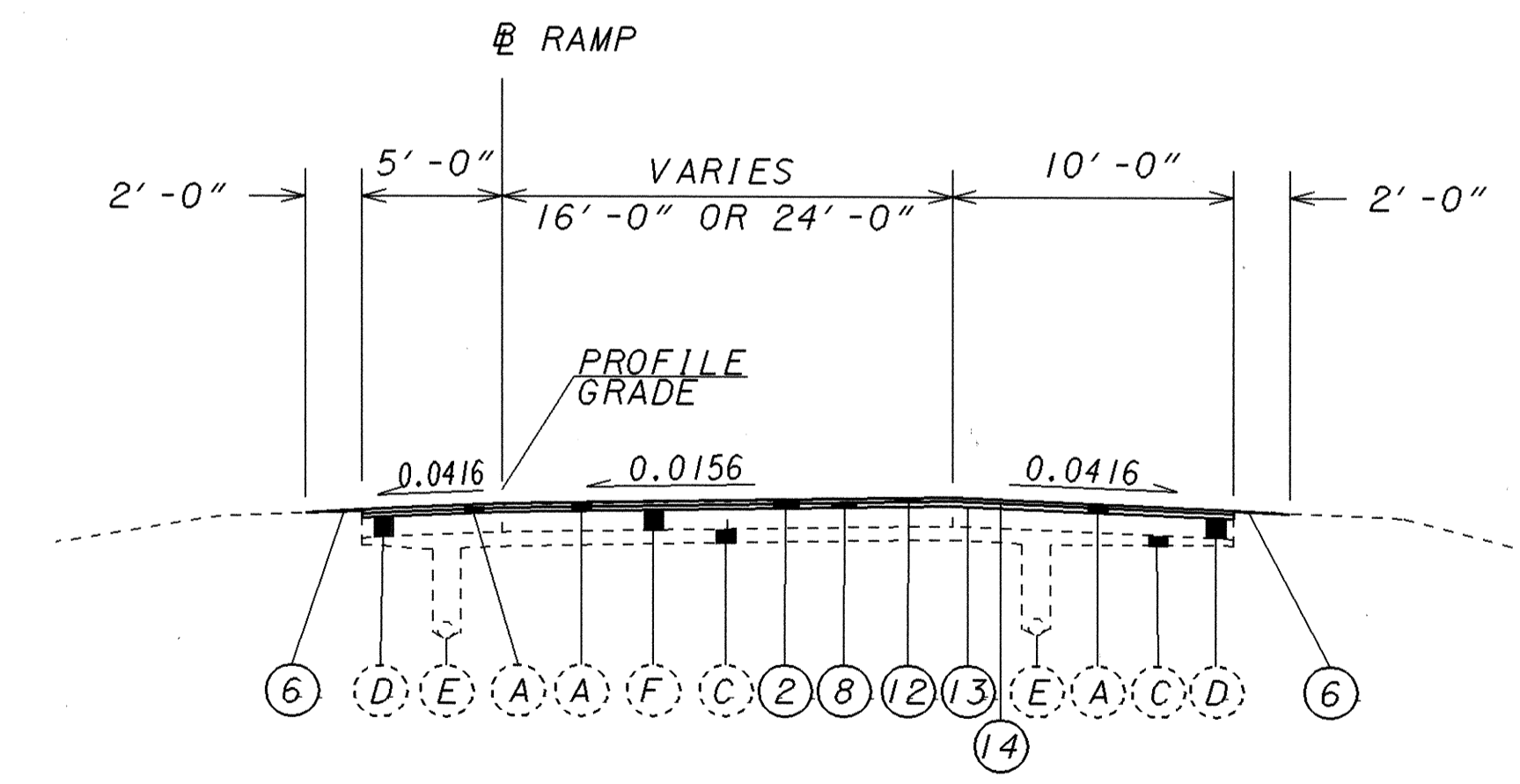
NORMAL
STA. 28+08.43 TO STA. 29+00.00 = 91.57 LIN. FT. RAMP E



SUPERELEVATED (RIGHT)
STA. 1+50.00 TO STA. 6+17.89 = 467.89 LIN. FT. RAMP E
STA. 41+04.73 TO STA. 45+75.00 = 470.27 LIN. FT. RAMP G
STA. 1+16.69 TO STA. 16+65.33 = 1,548.64 LIN. FT. RAMP F
STA. 1+50.00 TO STA. 14+50.00 = 1,300.00 LIN. FT. RAMP H



SUPERELEVATED (LEFT)
STA. 6+17.89 TO STA. 14+24.44 = 806.55 LIN. FT. RAMP E
BRIDGE NO. LAK-44-0620 SW
STA. 18+16.20 TO STA. 21+85.06 = 368.86 LIN. FT. RAMP E
STA. 22+35.00 TO STA. 29+83.76 = 748.76 LIN. FT. RAMP G
BRIDGE NO. LAK-2-1354 ES
STA. 33+03.27 TO STA. 41+04.73 = 801.46 LIN. FT. RAMP G



NORMAL
STA. 21+85.06 TO STA. 28+08.43 = 91.58 LIN. FT. RAMP E
STA. 19+81.87 TO STA. 22+35.00 = 253.13 LIN. FT. RAMP G

SEE SHEET 5 FOR LEGEND

PLOTTED FROM: I:\PROJECTS\18391\dgn\18391gqa.dgn