

TYPICAL SHOULDER TREATMENT  
GUARDRAIL AND NO CURB

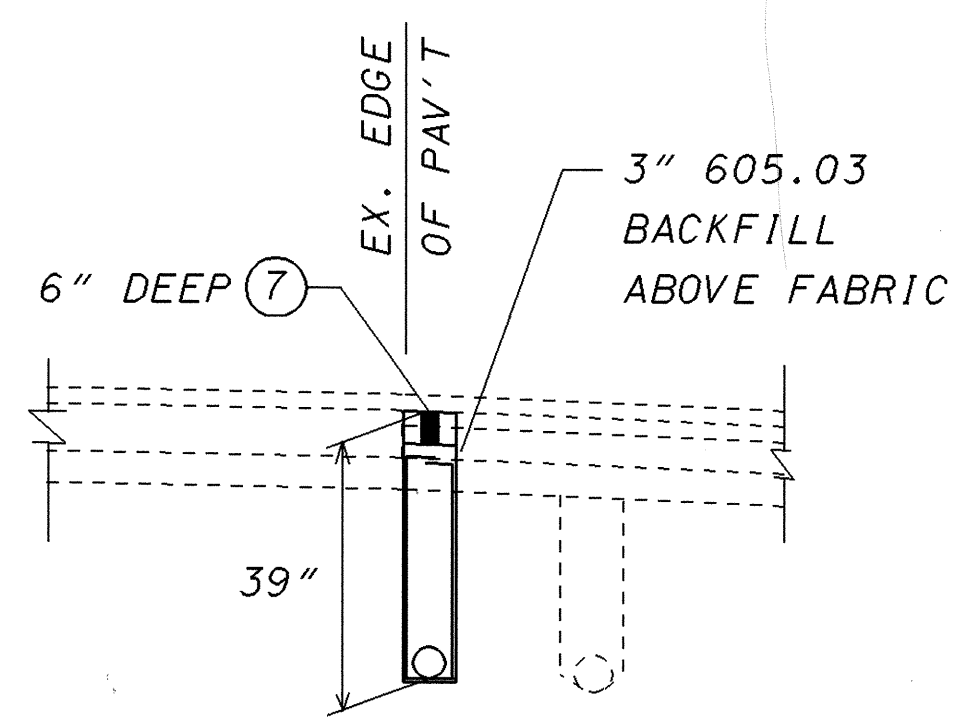
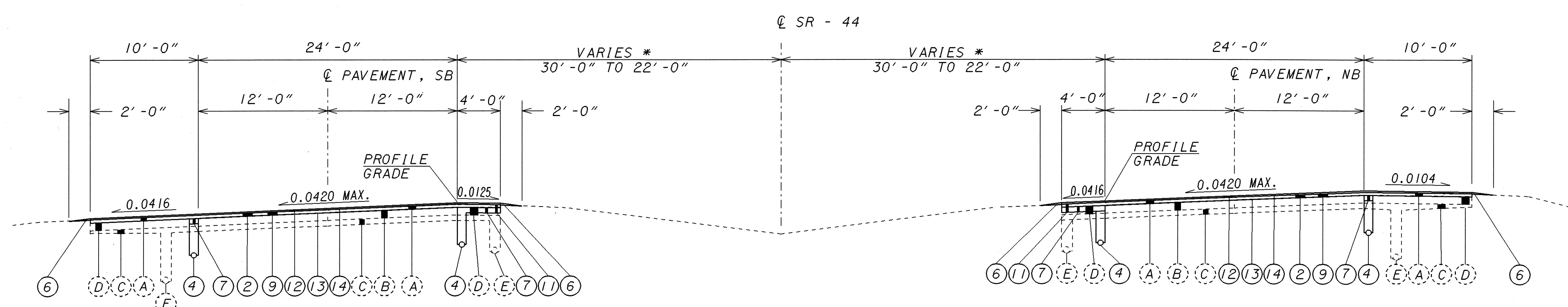
⊕ - THE 4'-0" OF ASPHALT UNDER  
GUARDRAIL ADJACENT TO THE  
PROPOSED TYPE E-98 ANCHOR  
ASSEMBLY (50'±) SHALL  
HAVE NO SLOPE.

NORMAL  
STA. 233+00.00 TO STA. 254+41.89 = 2,141.89 LIN. FT.  
STA. 272+94.23 TO STA. 301+77.35 = 2,883.12 LIN. FT.

STA. 3+00.00 TO STA. 18+00.00 = 1,500.00 LIN. FT. RAMP G

STA. 29+00.00 TO STA. 39+67.51 = 1,067.51 LIN. FT. RAMP E

\* - VARIES FROM 30'-0" TO 22'-0"  
STA 255+75.80 TO STA 271+19.23



ITEM 605 - 6" SHALLOW PIPE  
UNDERDRAIN, WITH  
FABRIC WRAP, AS PER  
PLAN

SUPERELEVATED  
STA. 254+41.89 TO STA. 272+94.23 = 1,852.34 LIN. FT.  
STA. 301+77.35 TO STA. 310+14.33 = 836.98 LIN. FT. ±  
(BRIDGE NO. LAK-44-0561 L&R)  
STA. 312+38.33 TO STA. 312+45.00 BK = 6.67 LIN. FT. ±

STA. 0+00.00 TO STA. 3+00.00 = 300.00 LIN. FT. RAMP G ±

STA. 39+67.51 TO STA. 46+97.96 = 730.45 LIN. FT. RAMP E ±

± APPROACH SLAB SIMILAR TO TYPICAL EXCEPT (B) IS 14"

**PROPOSED**

**EXISTING**

- |   |  |  |
|---|--|--|
| <ul style="list-style-type: none"> <li>① ITEM 203 - LINEAR GRADING, METHOD A</li> <li>② ITEM 202 - WEARING COURSE REMOVED</li> <li>③ ITEM 448 - 3" ASPHALT CONCRETE INTERMEDIATE COURSE, TYPE 1, PG64-22, (UNDER GUARDRAIL)</li> <li>④ ITEM 605 - 6" SHALLOW PIPE UNDERDRAIN, WITH FABRIC WRAP, AS PER PLAN</li> <li>⑤ ITEM 606 - GUARDRAIL, TYPE 5</li> <li>⑥ ITEM 617 - COMPACTED AGGREGATE, TYPE A, AS PER PLAN</li> <li>⑦ ITEM 301 - BITUMINOUS AGGREGATE BASE, PG64-22, (6" DEEP)</li> </ul> | <ul style="list-style-type: none"> <li>⑧ ITEM 858 - 2" ASPHALT CONCRETE INTERMEDIATE COURSE, 19 MM, TYPE A (446)</li> <li>⑨ ITEM 858 - 3-1/2" ASPHALT CONCRETE INTERMEDIATE COURSE, 19 MM, TYPE A (446)</li> <li>⑩ ITEM 304 - 6" AGGREGATE BASE, AS PER PLAN</li> <li>⑪ ITEM 203 - EXCAVATION NOT INCLUDING EMBANKMENT CONSTRUCTION</li> <li>⑫ ITEM 858 - 1-1/2" ASPHALT CONCRETE SURFACE COURSE, 12.5 MM, TYPE A (446)</li> <li>⑬ ITEM 407 - TACK COAT</li> <li>⑭ ITEM 407 - TACK COAT FOR INTERMEDIATE COURSE</li> </ul> | <ul style="list-style-type: none"> <li>Ⓐ ASPHALT OVERLAY (3"±)</li> <li>Ⓑ 9" REINFORCED CONCRETE BASE</li> <li>Ⓒ SUBBASE</li> <li>Ⓓ BIT. AGGREGATE BASE OR AGGREGATE BASE</li> <li>Ⓔ UNDERDRAIN</li> <li>Ⓕ 10" REINFORCED CONCRETE BASE</li> </ul> |
|---|--|--|

PLOTTED FROM: I:\PROJECTS\18391\dgn\18391.dgn