

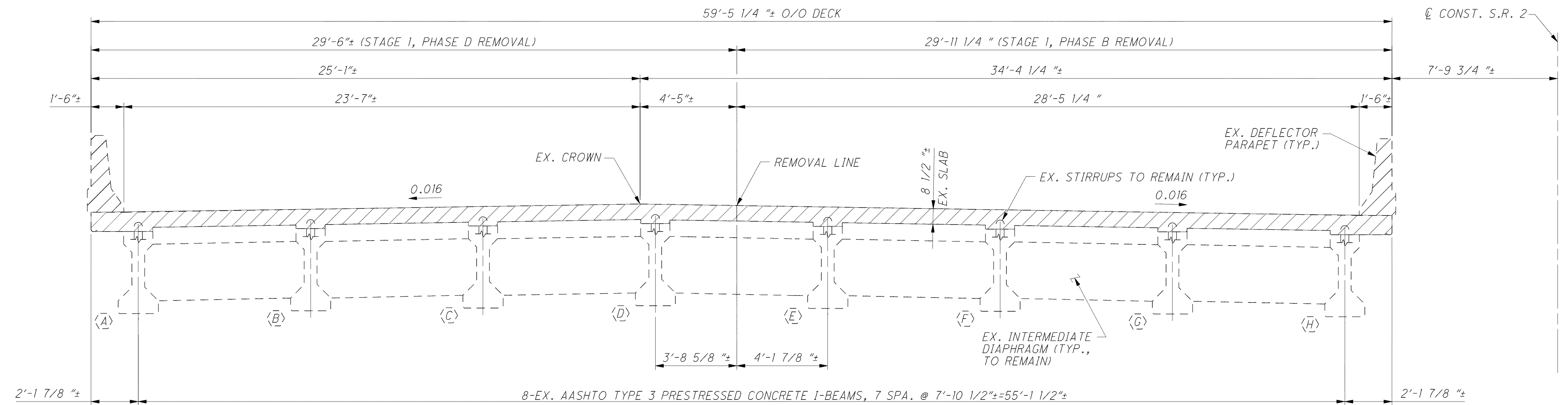
g:\project\c000048a001\drawing\lak\13486\bridge\lak002_07601\sheets\002_0760CRE001.dgn 6/23/2008 5:29:09 PM troxberry

NOTES

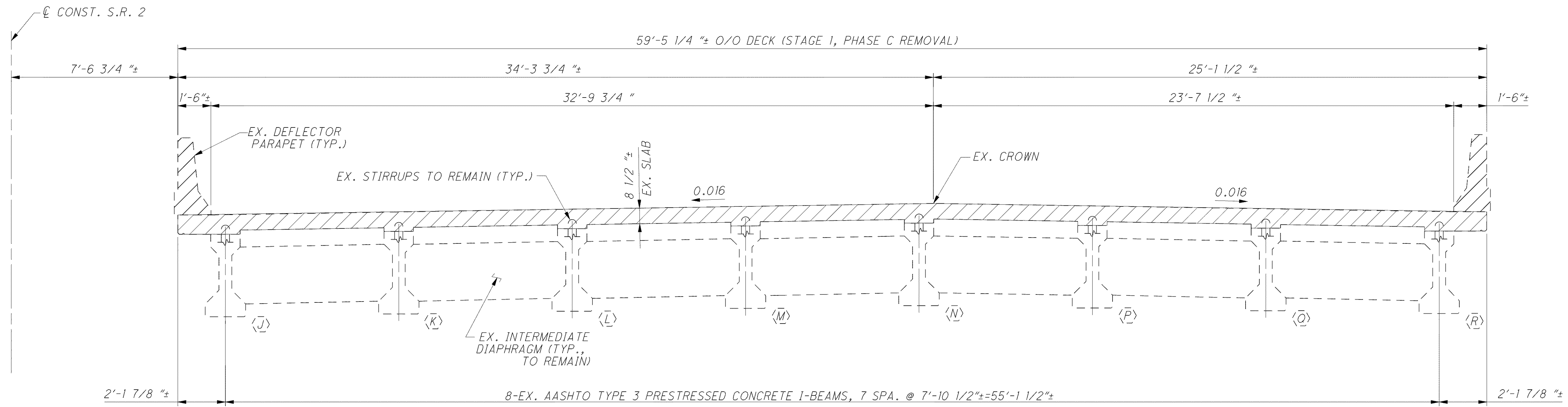
1. FOR LIST OF ABBREVIATIONS SEE SHEET **4/25**.
2. FOR ADDITIONAL REMOVAL DETAILS, SEE SHEET **10/25**.

LEGEND

 - PORTIONS OF EXISTING STRUCTURE TO BE REMOVED



EXISTING TRANSVERSE SECTION (LEFT STRUCTURE)



EXISTING TRANSVERSE SECTION (RIGHT STRUCTURE)

DESIGN AGENCY ARCADIS ARCADIS U.S., Inc. 100 Superior Avenue, Suite 1250 Cleveland, Ohio 44114 Tel: 216-781-6177 Fax: 216-781-6243 www.arcadis-us.com	DATE	12/07
	REVIEWED	CMD/FJG
DESIGNED	SKS	CHECKED
DRAWN	TMR	REVISED
STRUCTURE FILE NUMBER	43000920(R)	
REMOVAL DETAILS BRIDGE NO. LAK-2-0760 L&R STATE ROUTE 2 OVER NEWELL CREEK		
LAK-2-3.32 PID 13486		
9 / 25		
1602 1679		