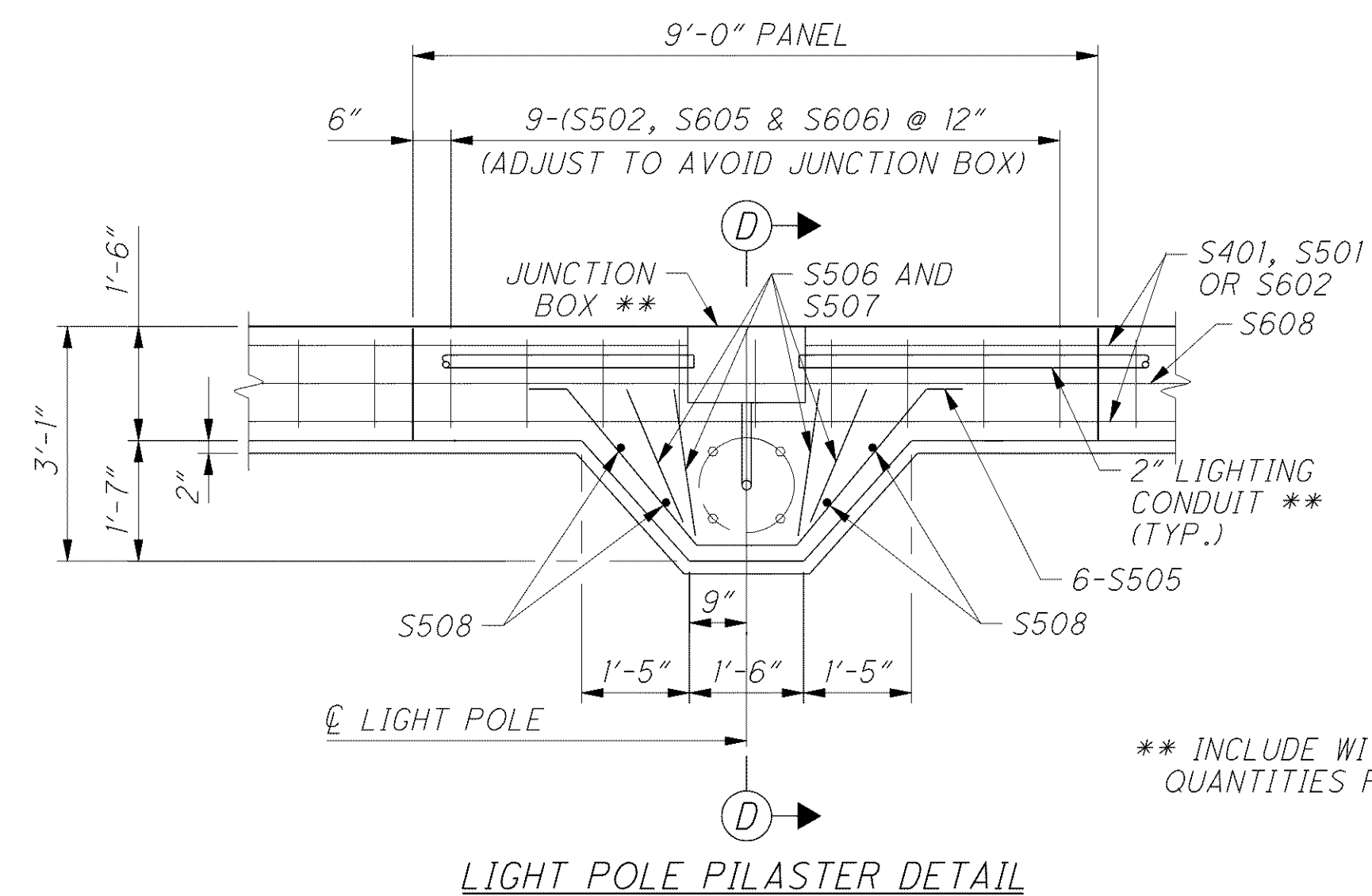
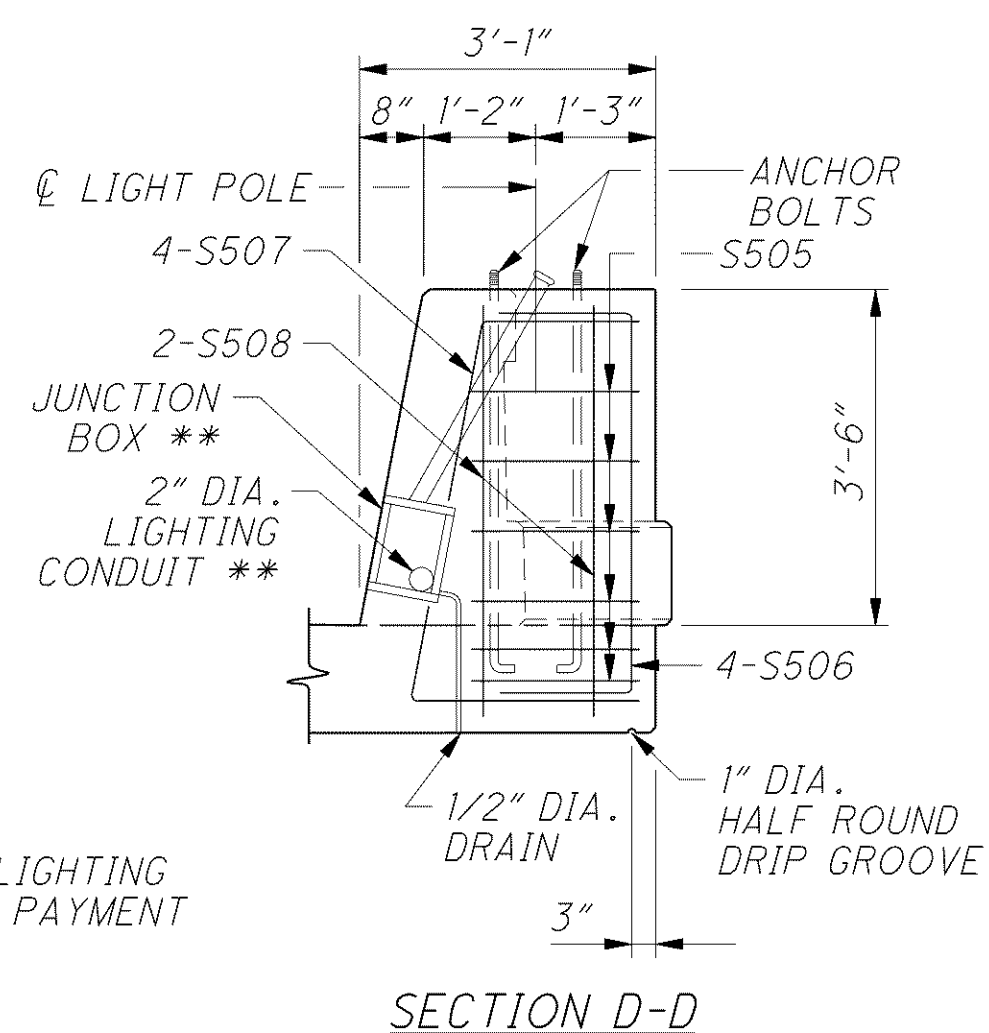


o:\project\c000048a001\drawing\lak\13486\bridge\lak002\_sheets\02\_0530p\02.dgn 6/23/2008 6:20:27 PM troxberry



LIGHT POLE PILASTER DETAIL

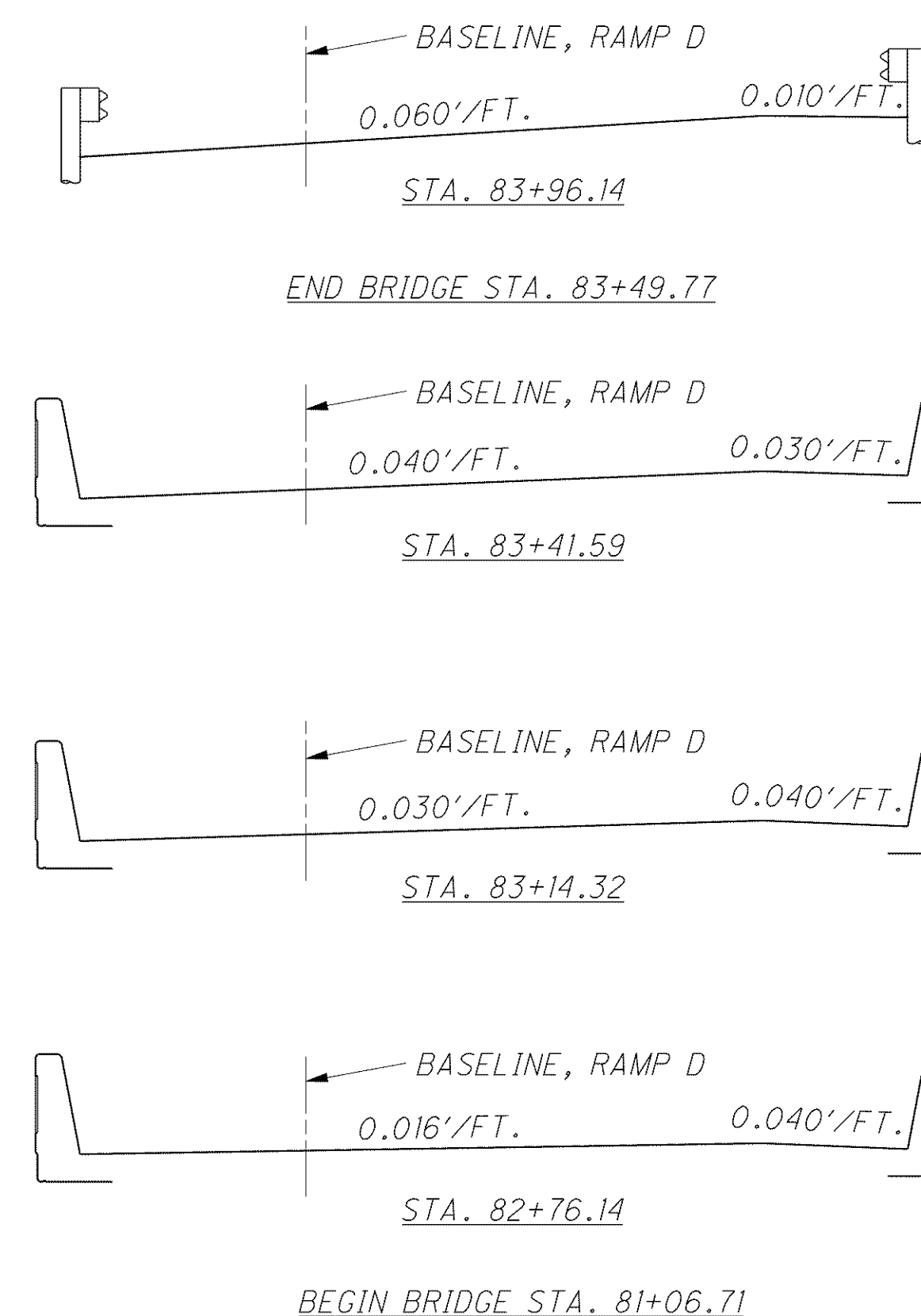
\*\* INCLUDE WITH LIGHTING QUANTITIES FOR PAYMENT



SECTION D-D

NOTES

1. FOR LEGEND OF ABBREVIATIONS SEE SHEET [3/28].
2. FOR SLAB PLAN AND ADDITIONAL PARAPET DETAILS SEE SHEET [21/28].
3. FOR TRANSVERSE SECTION SEE SHEET [20/28].



SUPERELEVATION TRANSITION DIAGRAM

|   |          |         |
|---|----------|---------|
| DESIGN AGENCY<br><b>ARCADIS</b><br>ARCADIS U.S., Inc.<br>1100 Superior Avenue, Suite 1250 Cleveland, Ohio 44114<br>Tel: 216-781-6177 Fax: 216-781-6243 www.arcadis-us.com | DATE     | 12/07   |
|   | REVIEWED | CMD     |
| DESIGNED  | MVD      | CHECKED |
| DRAWN   | CAF      | REVISED |
| STRUCTURE FILE NUMBER   | 4300750  |         |
| SUPERSTRUCTURE DETAILS  |          |         |
| BRIDGE NO. LAK-2-0530 EN  |          |         |
| RAMP D OVER CHAGRIN RIVER   |          |         |
| LAK-2-3-32<br>PID 13486   |          |         |
| 22 / 28   |          |         |
| 1540<br>1679  |          |         |