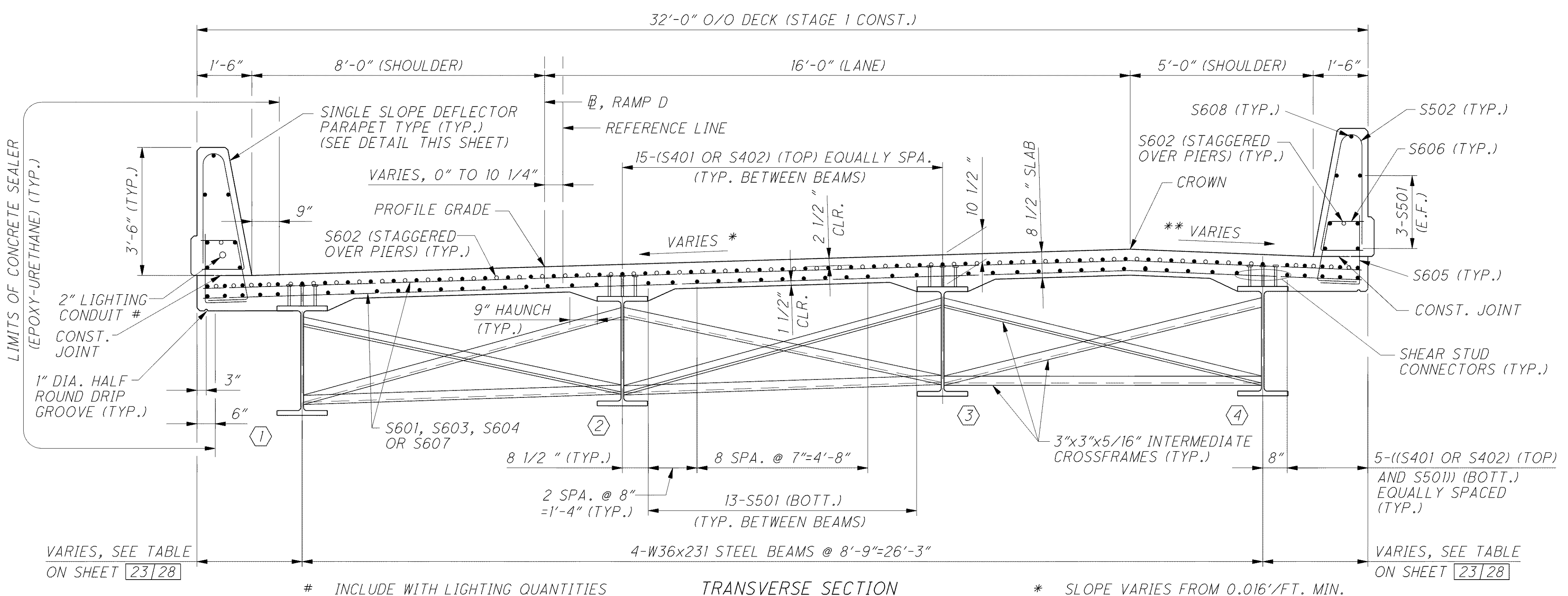


q:\project\cv000048a001\drawing\lak\13486\bridge\sheet\02_0530p\sheet\02_0530p\T001.dgn 6/23/2008 6:27:08 PM troxberry

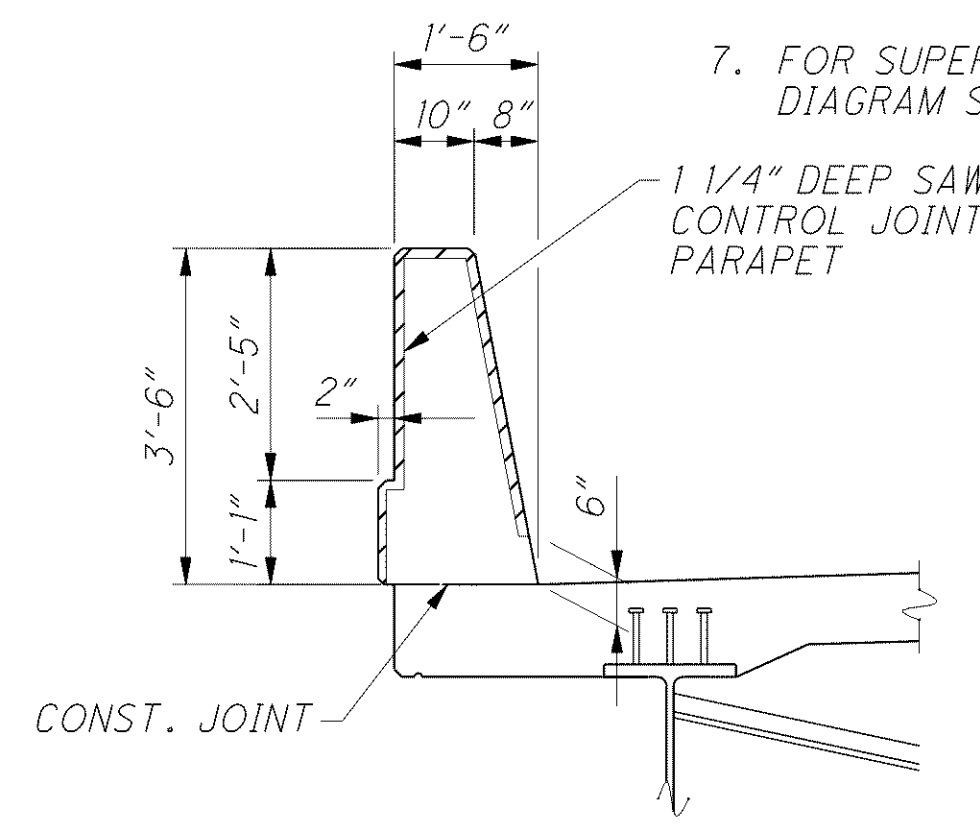


TRANSVERSE SECTION

INCLUDE WITH LIGHTING QUANTITIES FOR PAYMENT

* SLOPE VARIES FROM 0.016'/FT. MIN. TO 0.043'/FT. MAX.
 ** SLOPE VARIES FROM 0.027'/FT. MIN. TO 0.040'/FT. MAX.

- NOTES**
1. THE MONOLITHIC WEARING SURFACE IS ASSUMED, FOR DESIGN PURPOSES, TO BE ONE (1) INCH THICK.
 2. THE ESTIMATED QUANTITY OF DECK SLAB CONCRETE IS BASED ON THE CONSTANT DECK SLAB THICKNESS, AS SHOWN, PLUS THE QUANTITY OF CONCRETE THAT FORMS EACH BEAM HAUNCH. THE ESTIMATE ASSUMES AN AVERAGE HAUNCH THICKNESS OF 2 INCHES AND A CONSTANT HAUNCH WIDTH OUTSIDE THE EDGE OF EACH BEAM FLANGE OF 9 INCHES. DEVIATE FROM THIS HAUNCH THICKNESS AS NECESSARY TO PLACE THE DECK SURFACE AT THE FINISHED GRADE. THE ALLOWABLE TOLERANCE FOR THE HAUNCH WIDTH OUTSIDE THE EDGE OF EACH BEAM FLANGE IS ±3 INCHES.
 3. FOR LEGEND OF ABBREVIATIONS SEE SHEET 3|28.
 4. DRIP GROOVES SHALL TERMINATE 2'-6" FROM FACE OF ABUTMENTS.
 5. FOR STANDARD CROSSFRAME DETAILS AND NOTES, REFER TO ODOT STANDARD DRAWING GSD-1-96.
 6. MINIMUM BAR LAPS ARE AS FOLLOWS:
 #4 BARS = 31" #5 BARS = 41"
 #6 BARS = 46" #8 BARS = 87"
 7. FOR SUPERELEVATION TRANSITION DIAGRAM SEE SHEET 24|28.



DEFLECTOR PARAPET DETAIL

DESIGN AGENCY: ARCADIS U.S., INC. 100 Superior Avenue, Suite 1250 Cleveland, Ohio 44114 Tel: 216-781-6171 Fax: 216-781-6243 www.arcadis-us.com

DATE	12/07
REVIEWED	CMD
STRUCTURE FILE NUMBER	4300750
DRAWN	CAF
CHECKED	FJG

DESIGNED: MVD

TRANSVERSE SECTION
 BRIDGE NO. LAK-2-0530 EN
 RAMP D OVER CHAGRIN RIVER

LAK-2-3.32
 PID 13486

20/28

1538
 1679