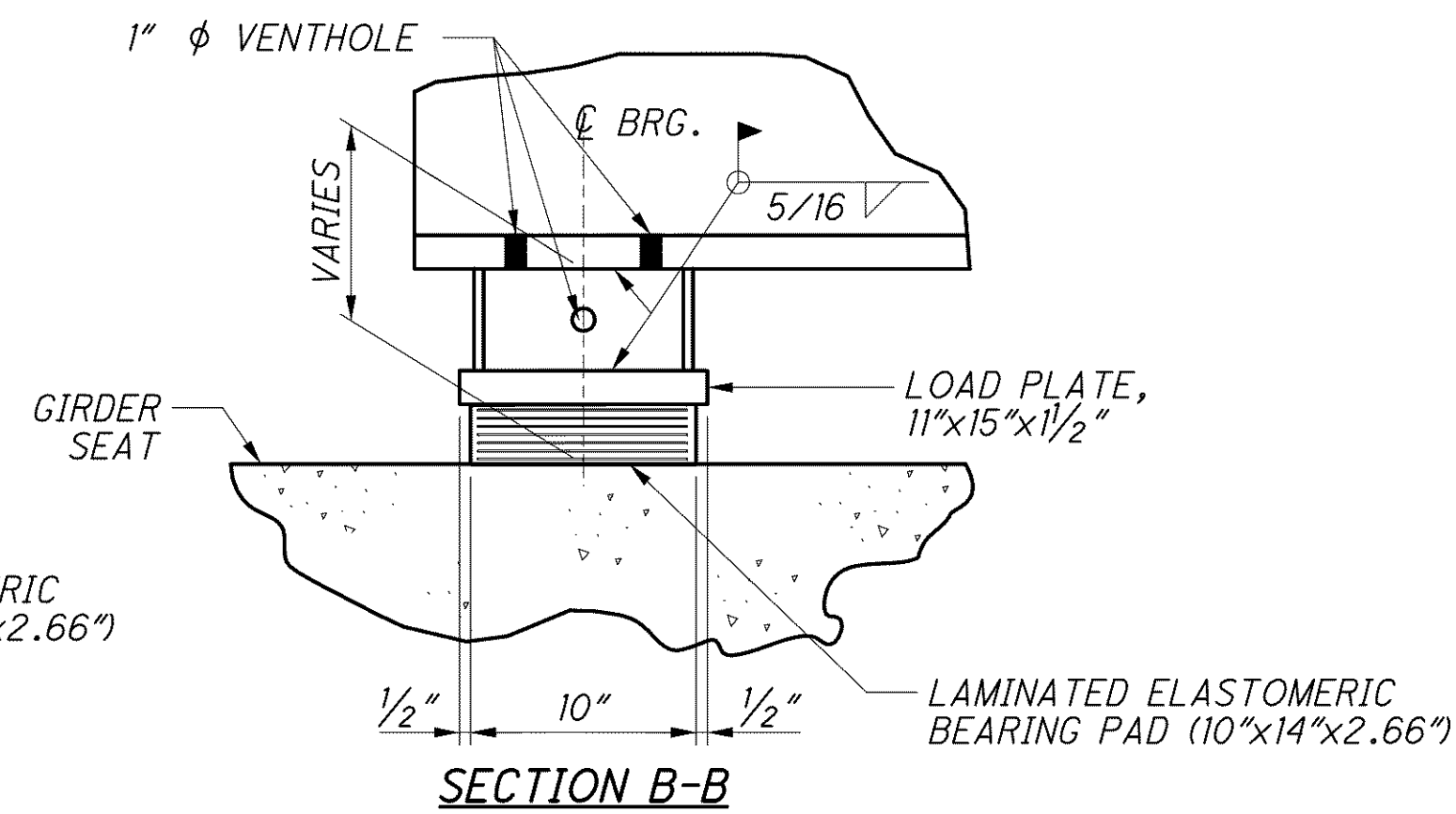
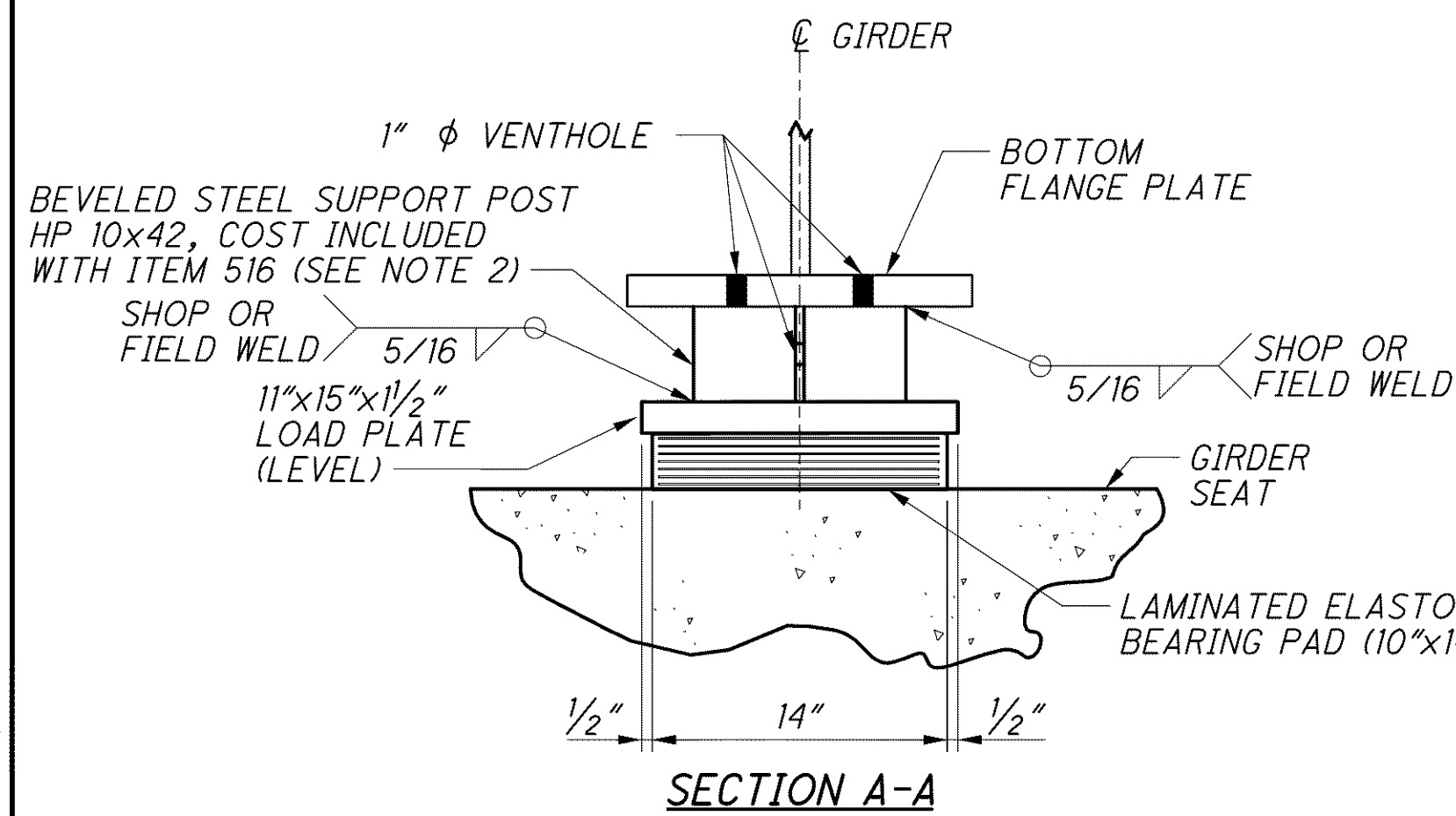
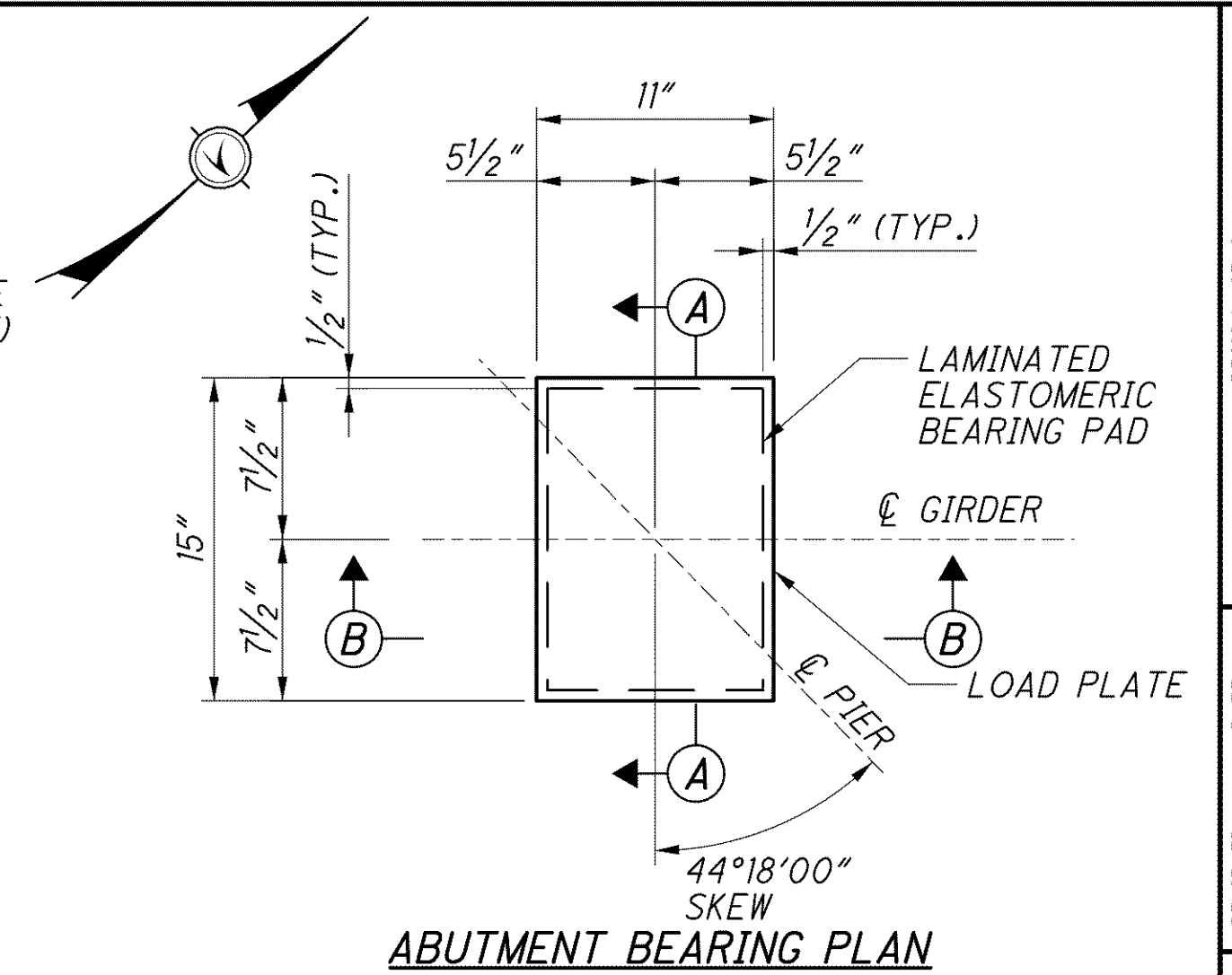
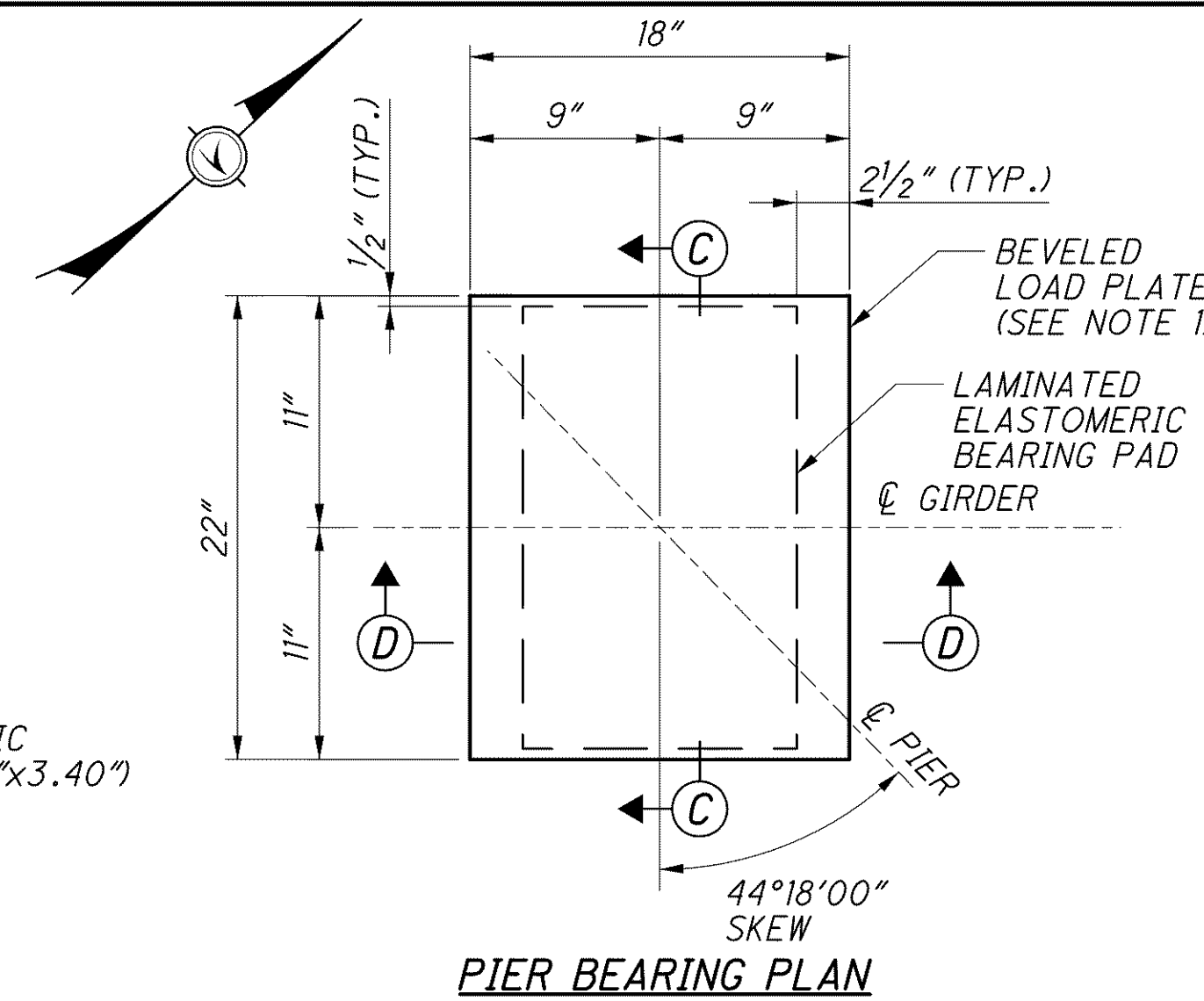
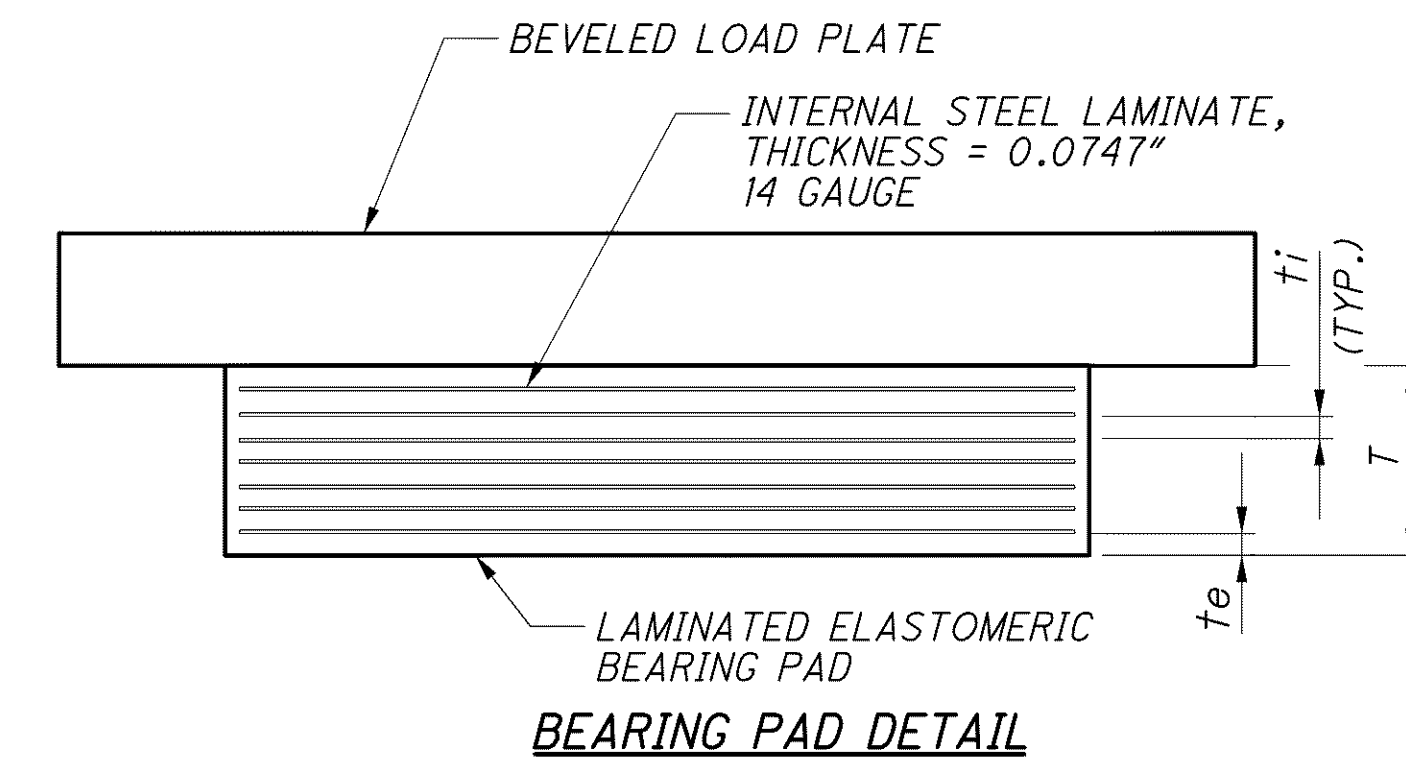


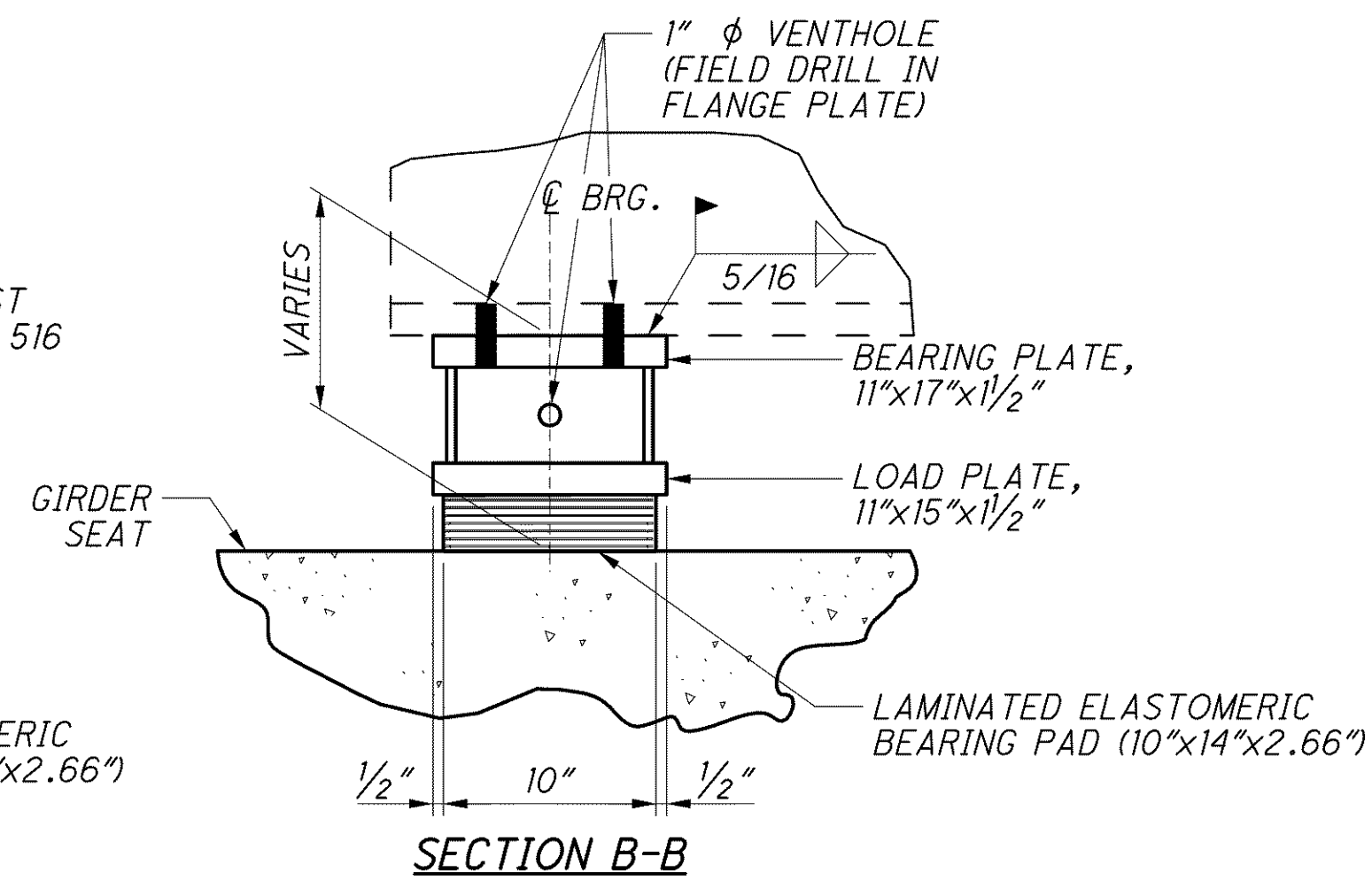
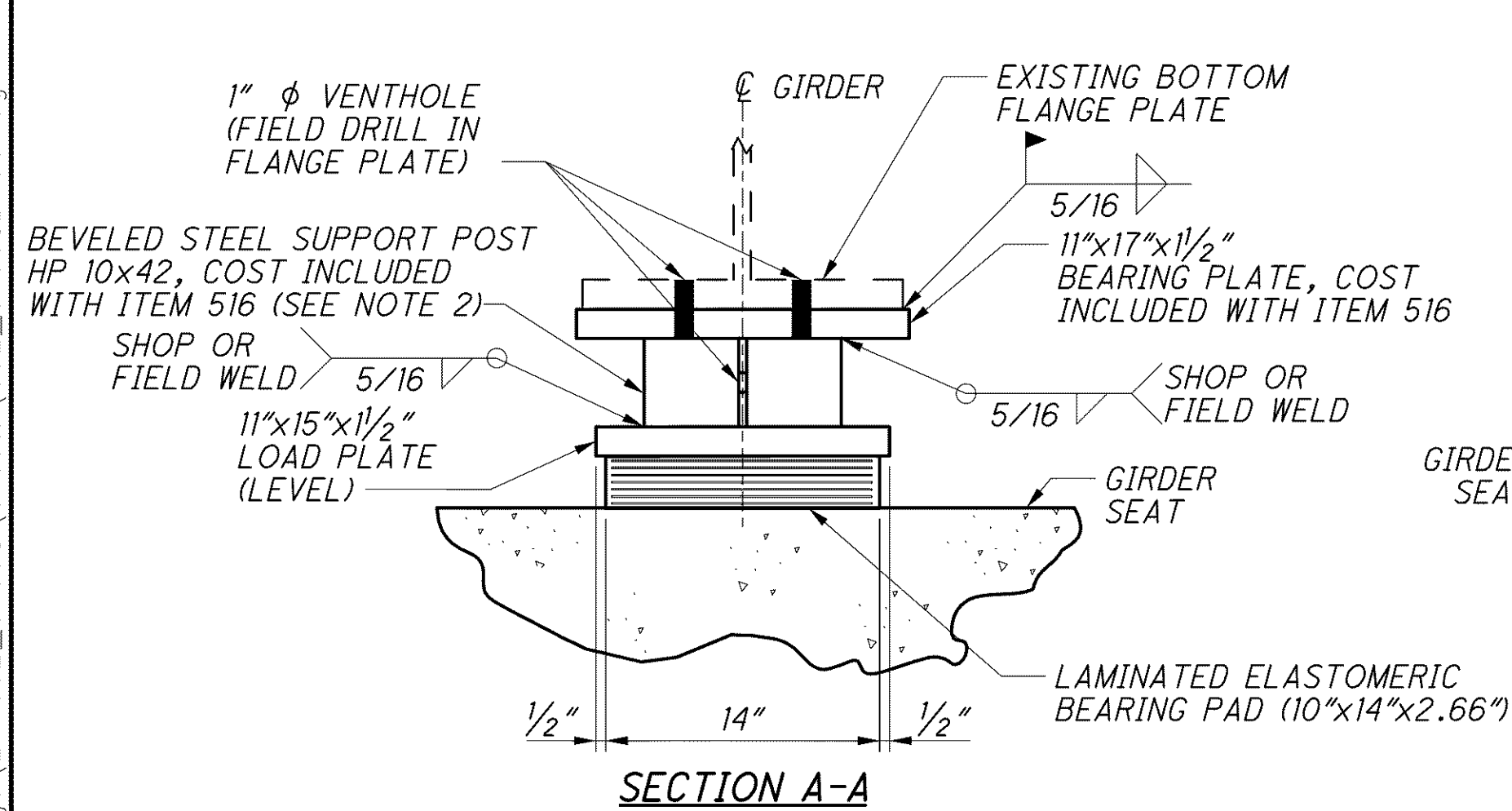
PROPOSED PIER GIRDER SECTIONS
(EXISTING PIER GIRDERS SIMILAR)



PROPOSED ABUTMENT GIRDER SECTIONS



LOCATION	BEARING DATA							
	SIZE		(THICKNESS) "DIM. T"	t _i	t _e	NUMBER OF t _i	NUMBER OF t _e	NUMBER OF STEEL LAMINATES
	L	W						
ABUTMENTS	10"	14"	2.66"	0.28"	0.18"	7	1	7
PIER	13"	21"	3.40"	0.38"	0.22"	7	1	7



EXISTING ABUTMENT GIRDER SECTIONS

LOCATION	BEARING LOAD DATA		
	DEAD LOAD (KIPS/PAD)	LIVE LOAD (W/O IMPACT) (KIPS/PAD)	DESIGN LOAD (KIPS/PAD)
ABUTMENTS	75.5	51.3	126.8
PIER	190.5	71.7	262.2

NOTES

- FOR BEVELED LOAD PLATE DETAILS, SEE SHEET 35/67.
- FOR BEVELED STEEL SUPPORT POST DETAILS, SEE SHEET 35/67.
- FOR ADDITIONAL BEARING NOTES, SEE SHEET 35/67.
- FOR LIST OF ABBREVIATIONS, SEE SHEET 4/67.
- FOR BOTTOM FLANGE VENT HOLE DETAIL, SEE SHEET 36/67.

j:\LAK\13486\bridge\LAK002_0400C\sheets\02_0400C\BR001.dgn 03-JUL-2008 1:44PM intn