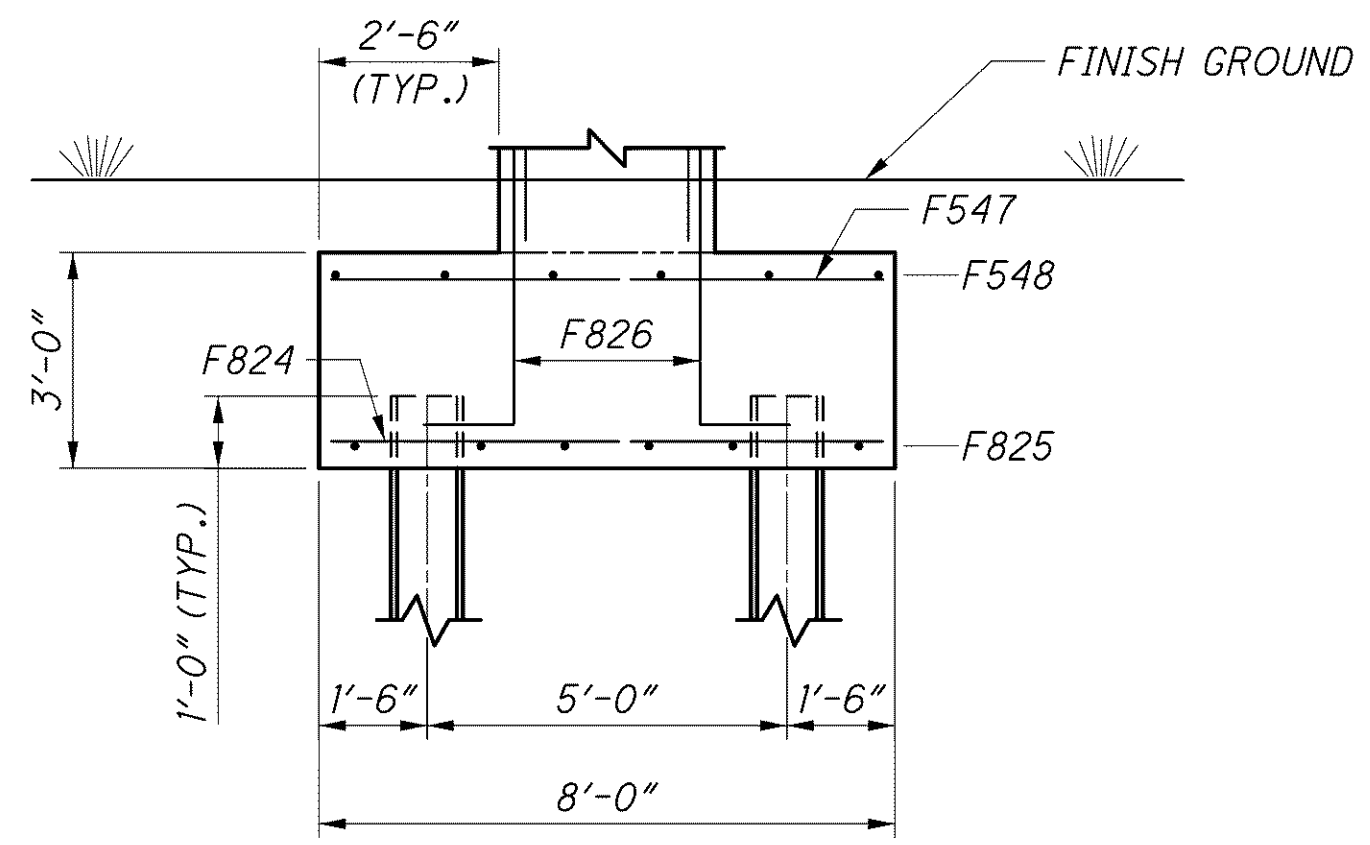
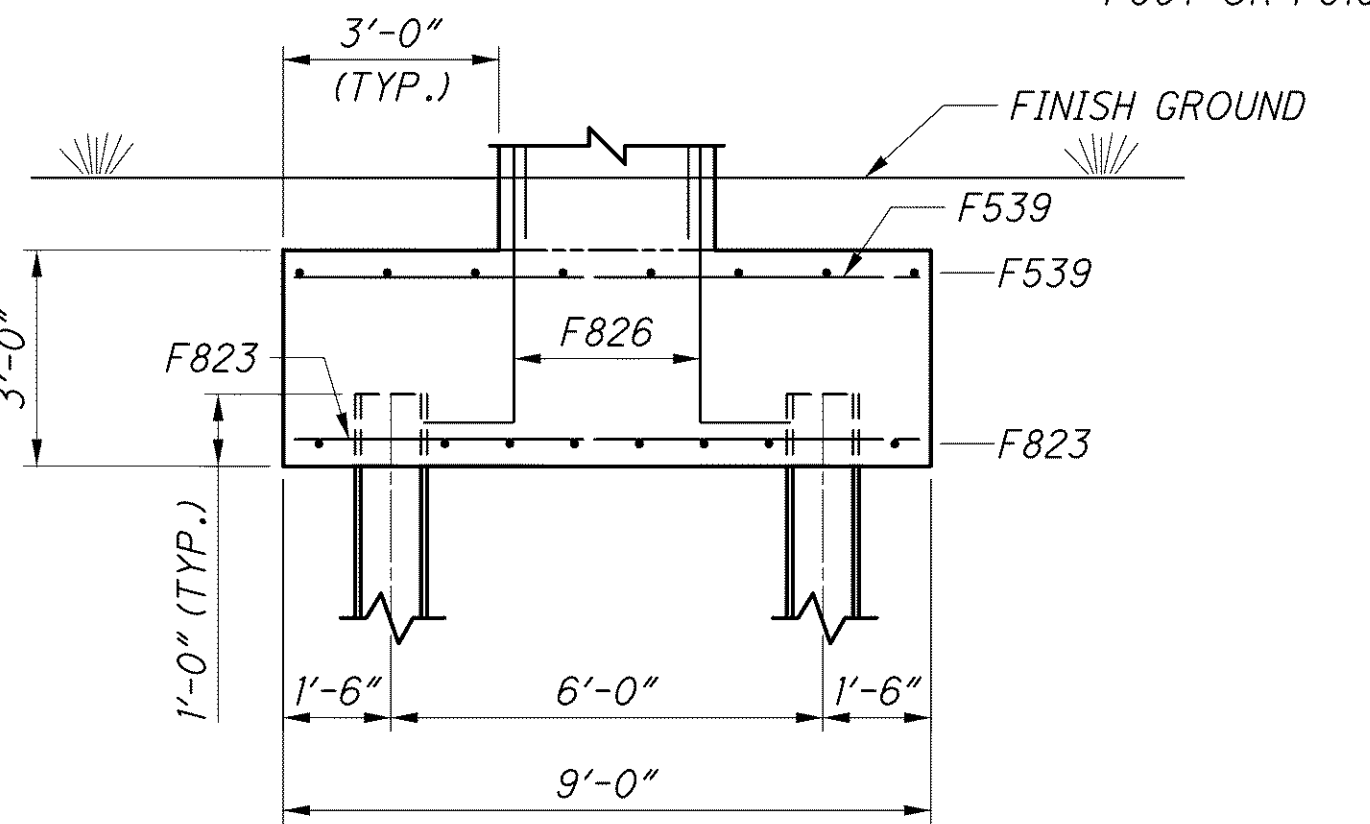


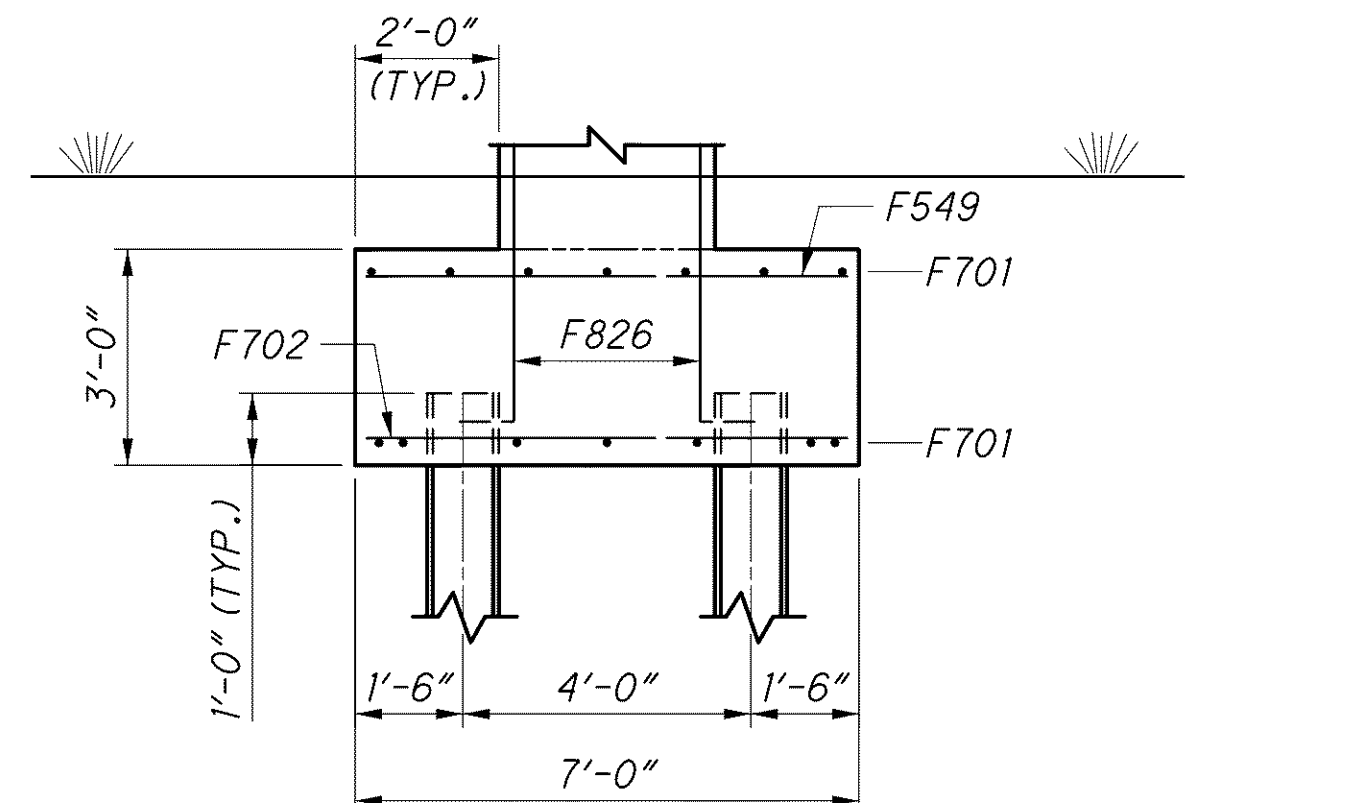
j:\LAK\13486\bridge\LAK002_0400C\sheets\02_0400CPI004.dgn 03-JUL-2008 1:44PM imtn



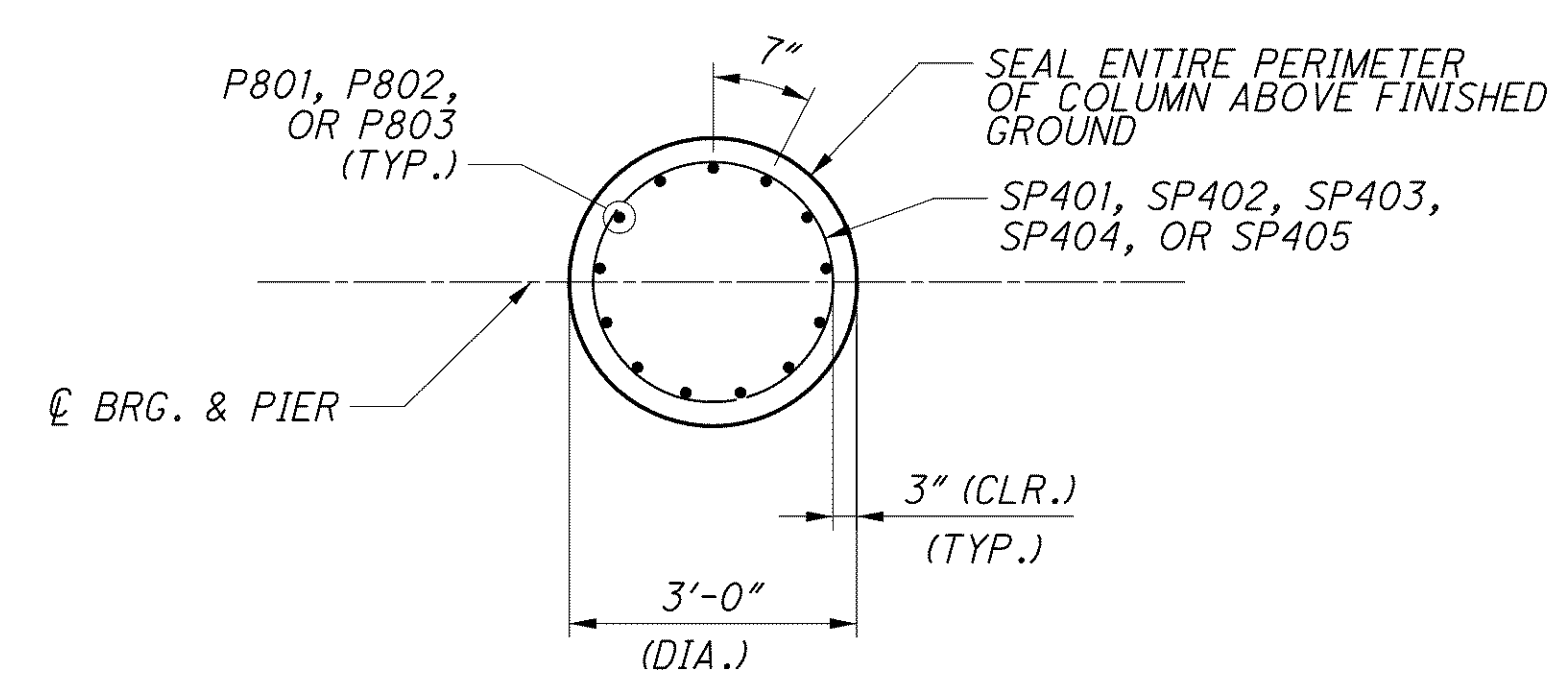
SECTION A-A



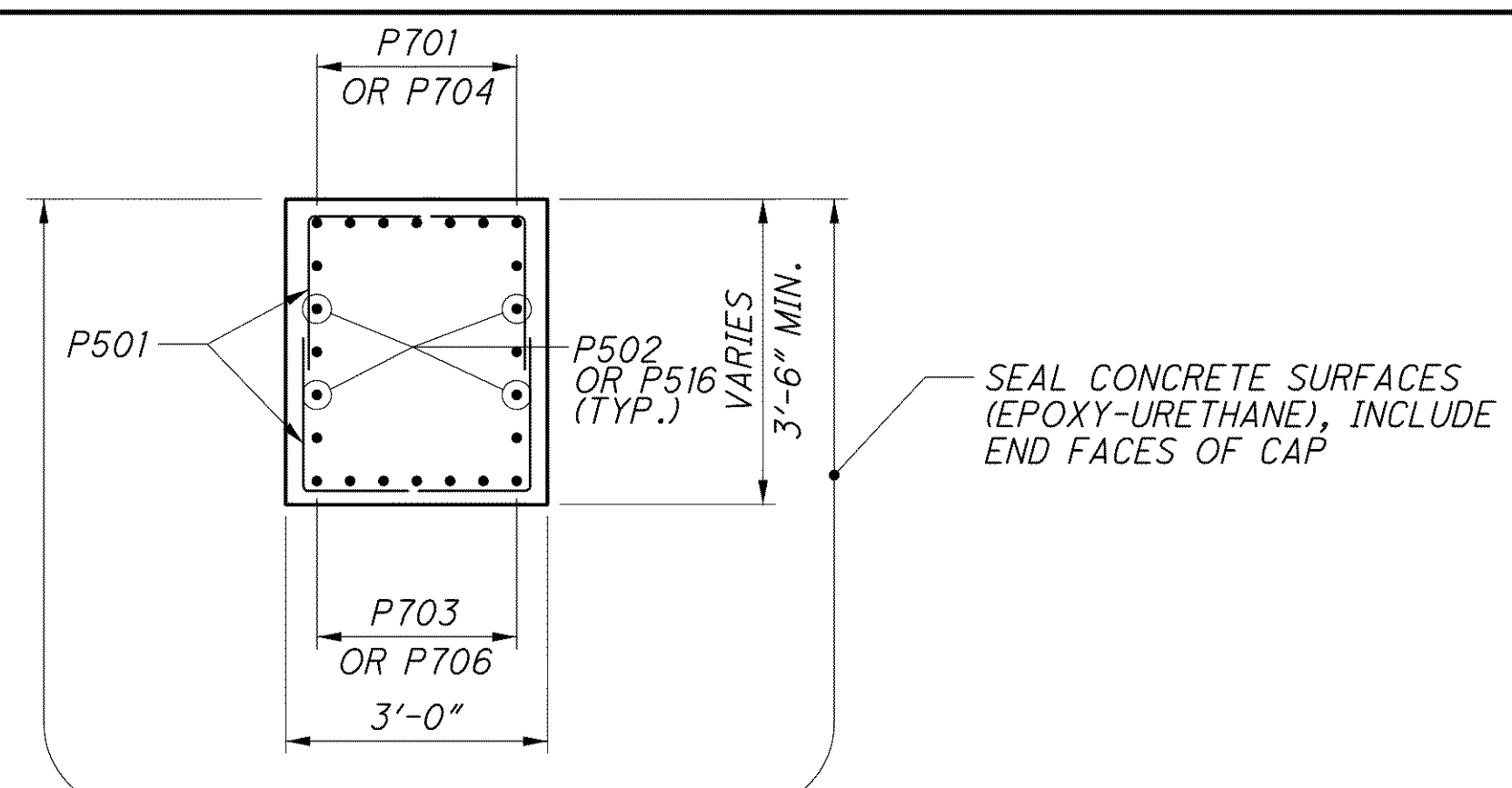
SECTION B-B



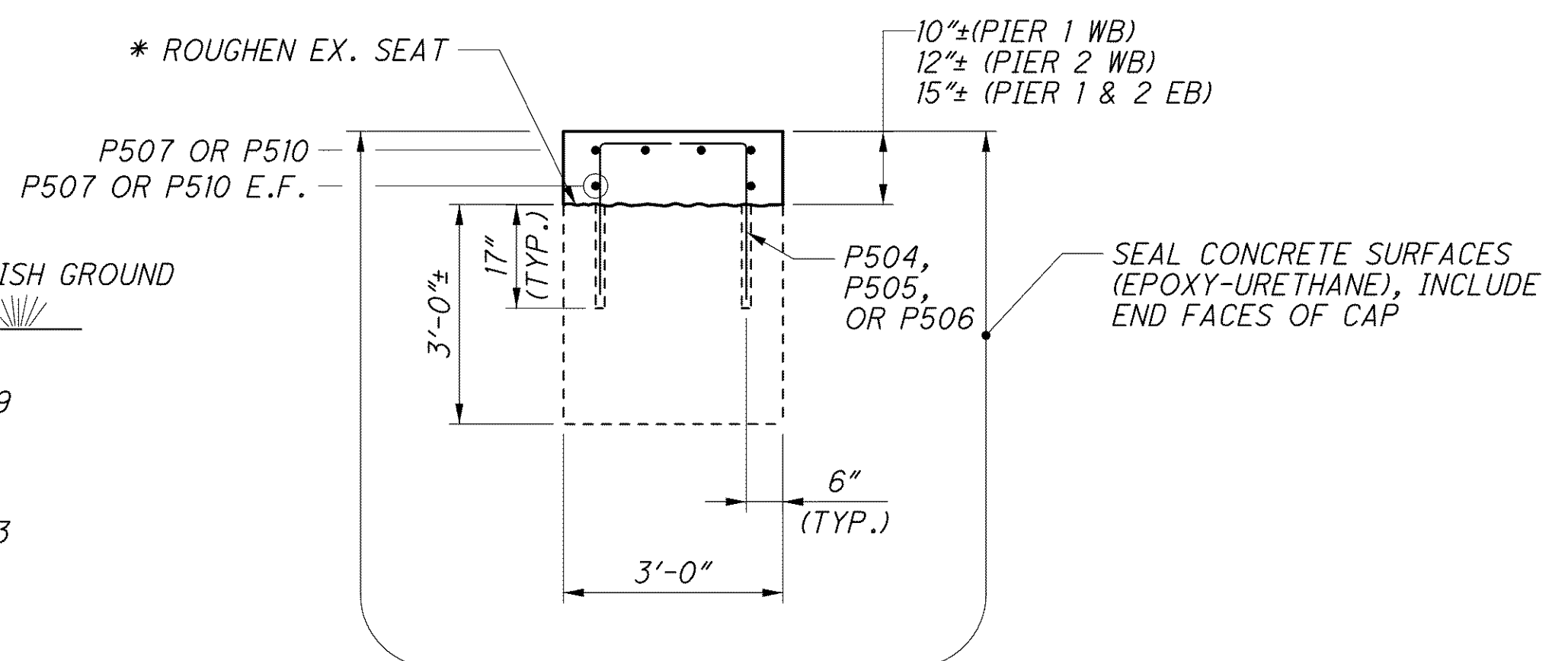
SECTION F-F



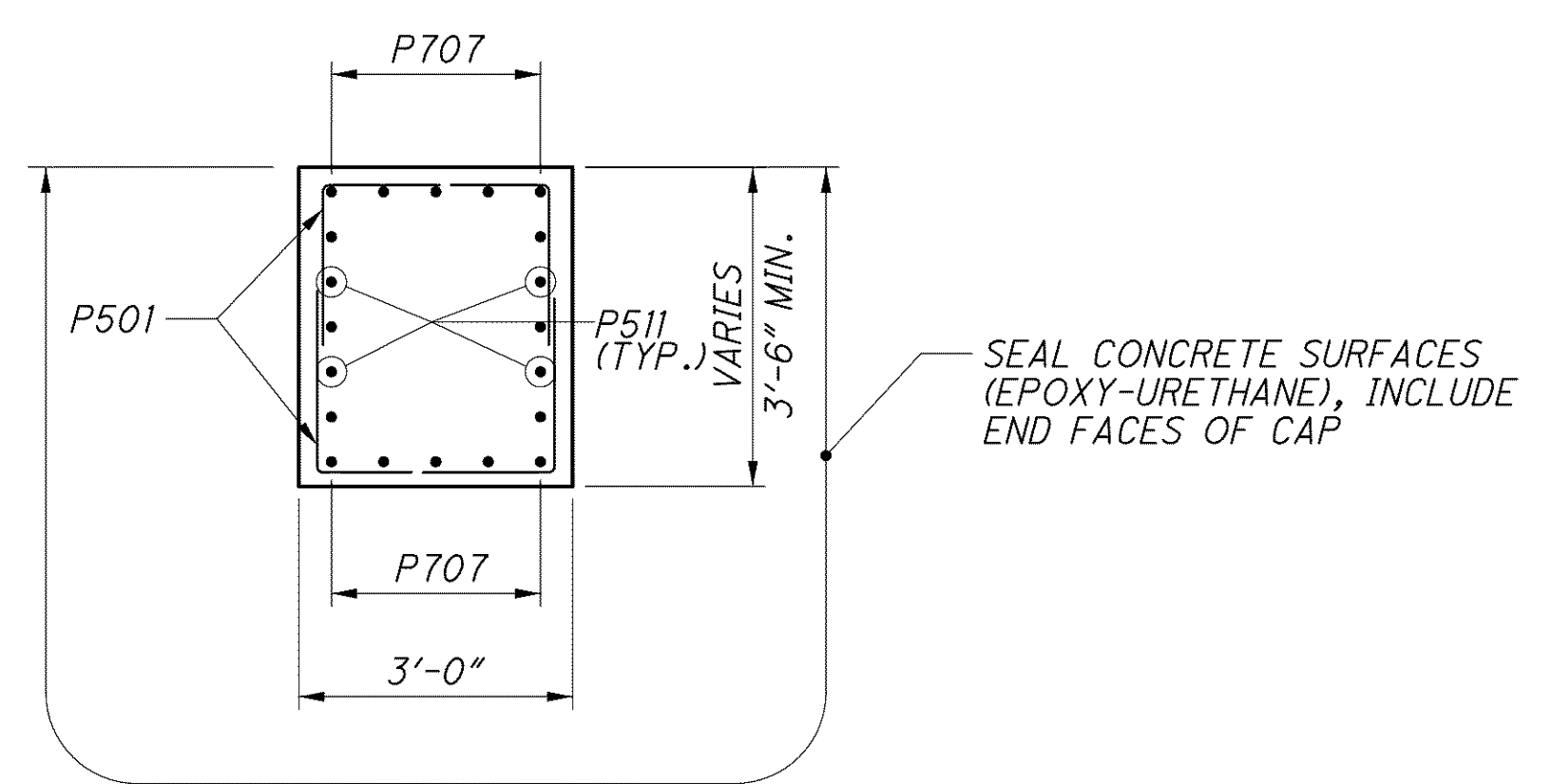
SECTION E-E



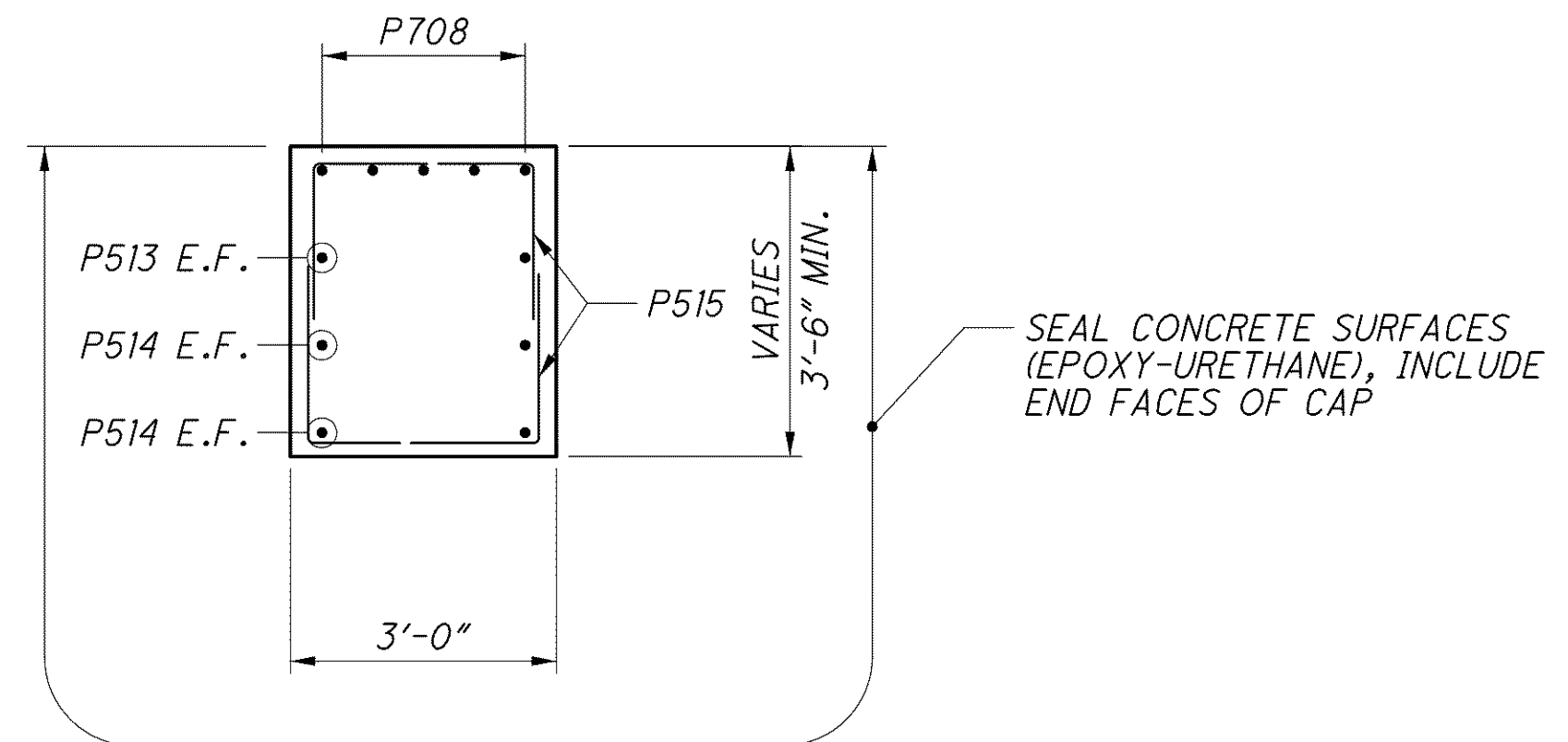
SECTION C-C



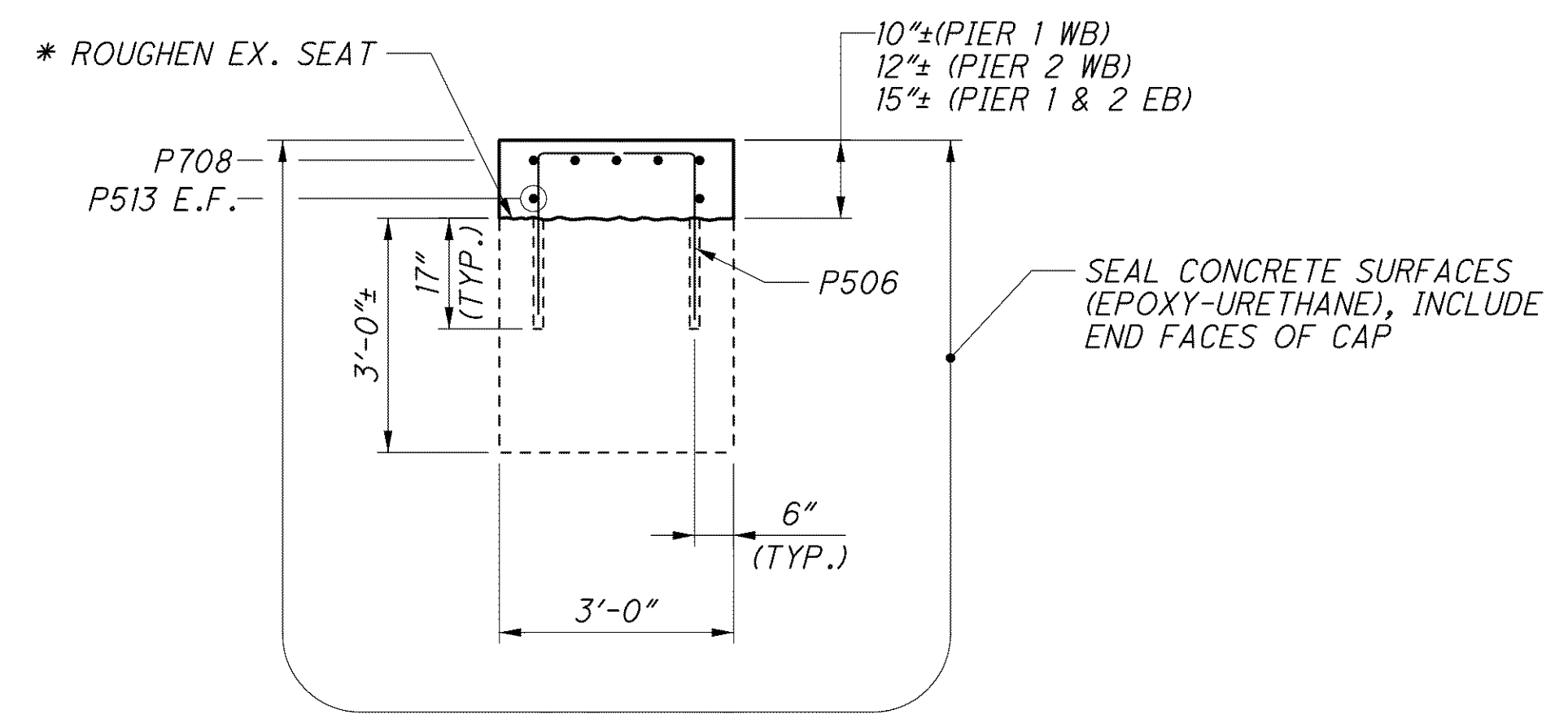
SECTION D-D



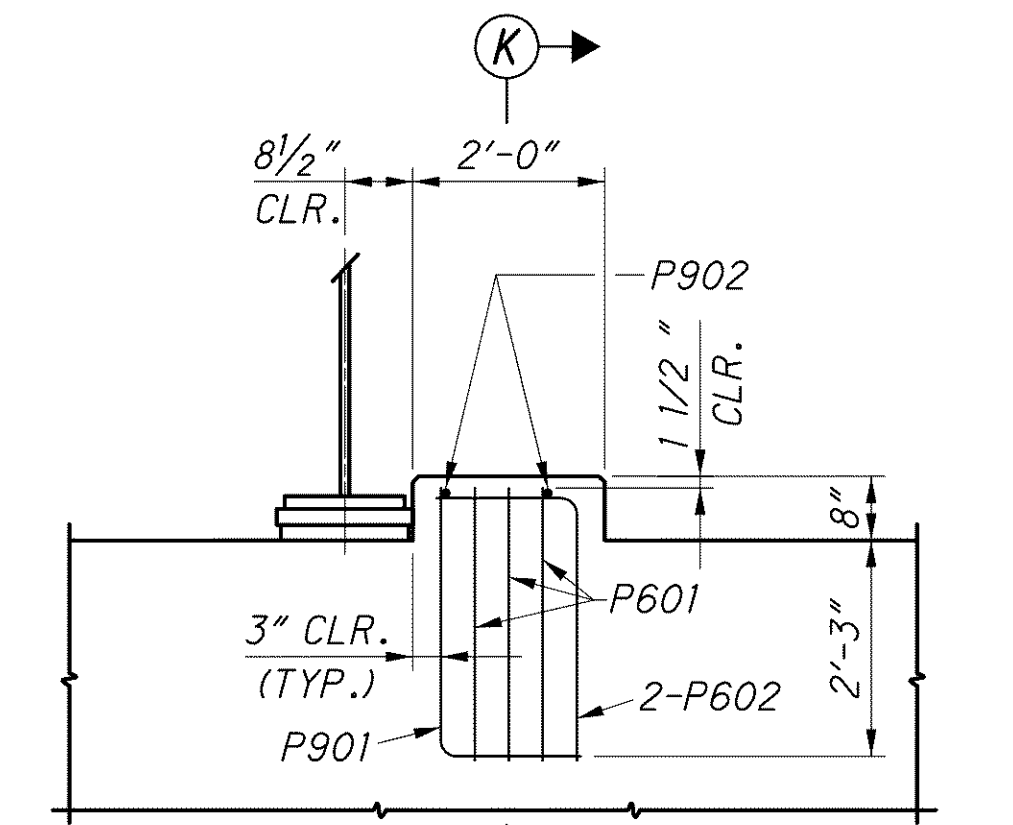
SECTION G-G



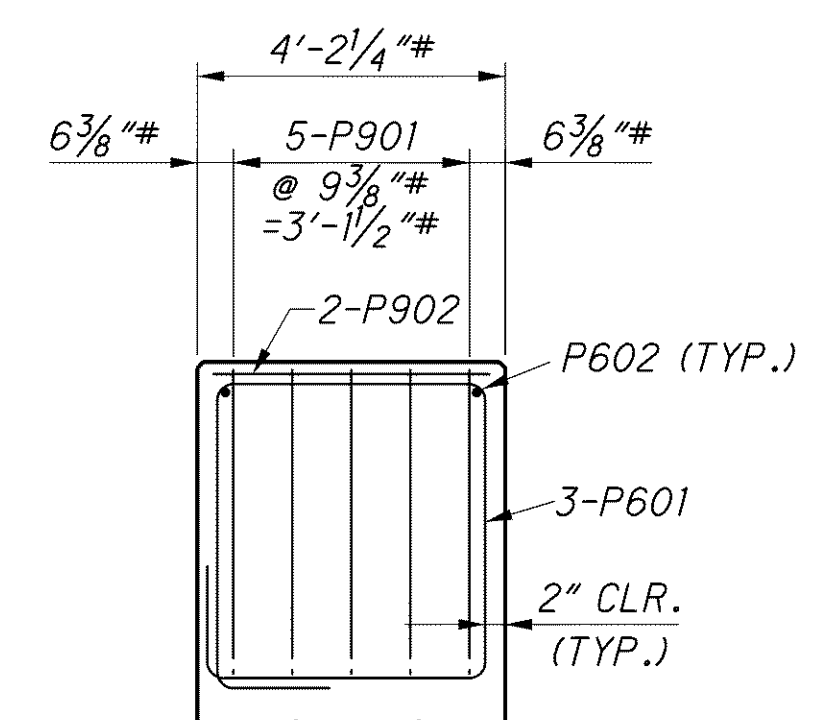
SECTION H-H



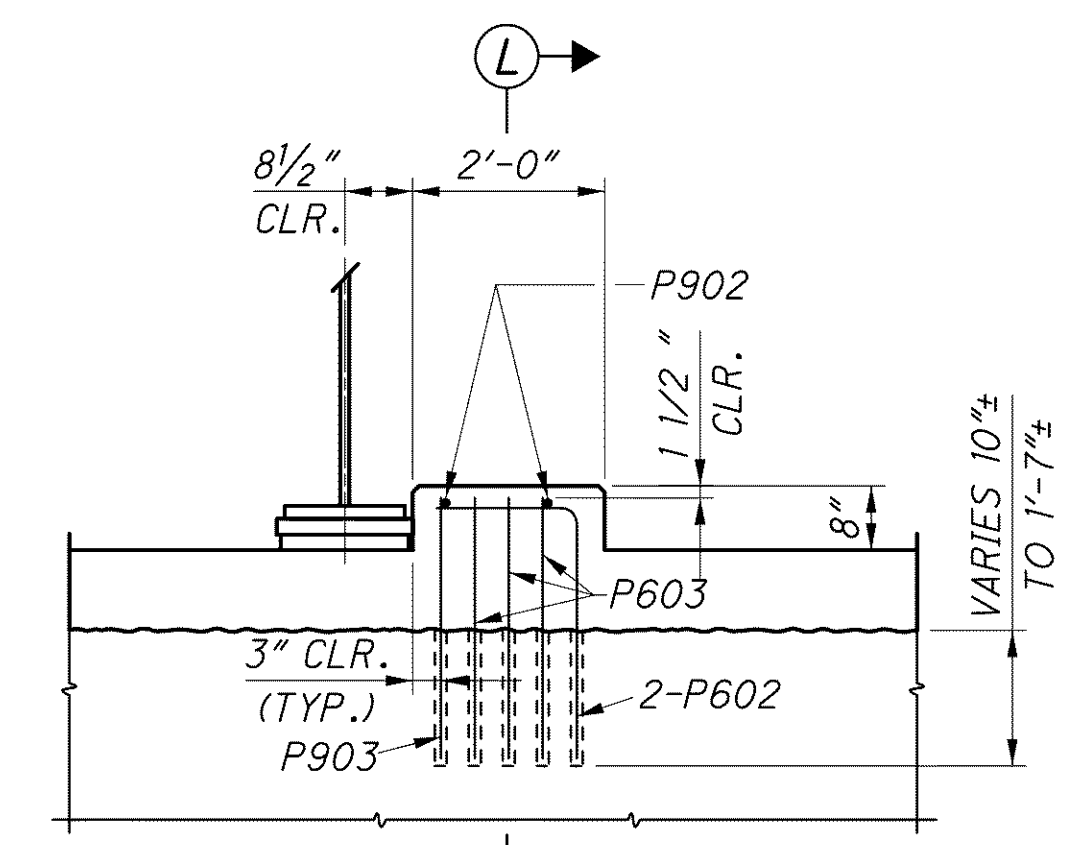
SECTION J-J



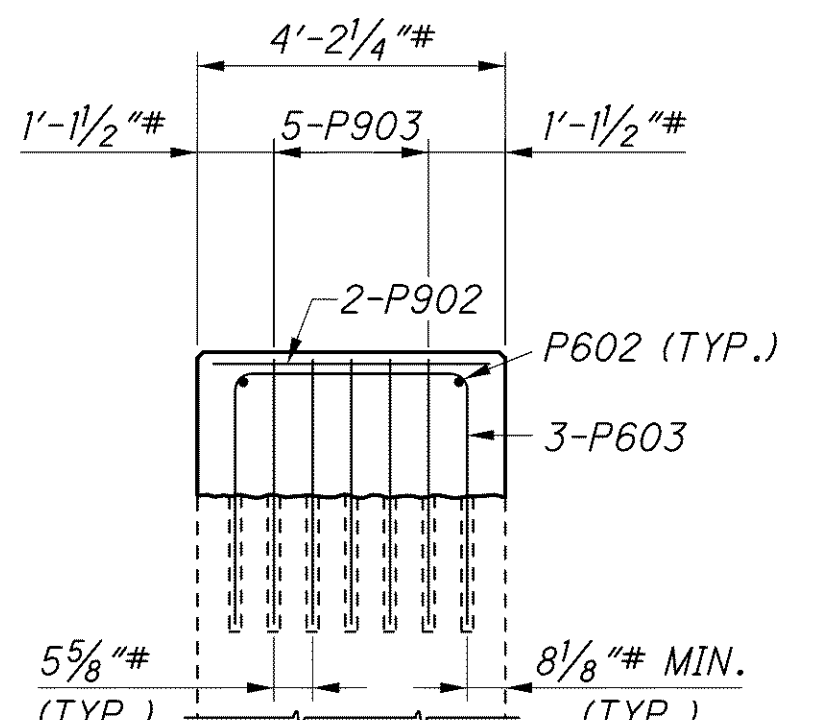
PROPOSED PIER CAP SEISMIC PEDESTAL



PROPOSED PIER CAP SECTION K-K



EXISTING PIER CAP SEISMIC PEDESTAL



EXISTING PIER CAP SECTION L-L

- NOTES**
- FOR LOCATION OF SECTIONS A-A, B-B, C-C, D-D, E-E, AND F-F, SEE SHEETS 30/67, 31/67, AND 32/67.
 - FOR LIST OF ABBREVIATIONS, SEE SHEET 4/67.

DESIGN AGENCY PARSONS BRINCKERHOFF OUADE & DOUGLAS, INC. 614 W. SUPERIOR AVE., SUITE 400 CLEVELAND, OHIO 44113	
DATE 6-19-08	DESIGNED BMG
REVIEWED RJO	CHECKED PWP
DRAWN NAL	REVISIONS
STRUCTURE FILE NUMBER 4300572(L) 4300602(R)	
PIER DETAIL IV	
BRIDGE NO. LAK-2-0400 L&R STATE ROUTE 2 OVER VINE STREET	
LAK-2-3.32	PID No. 13486
33/67	1358 1679