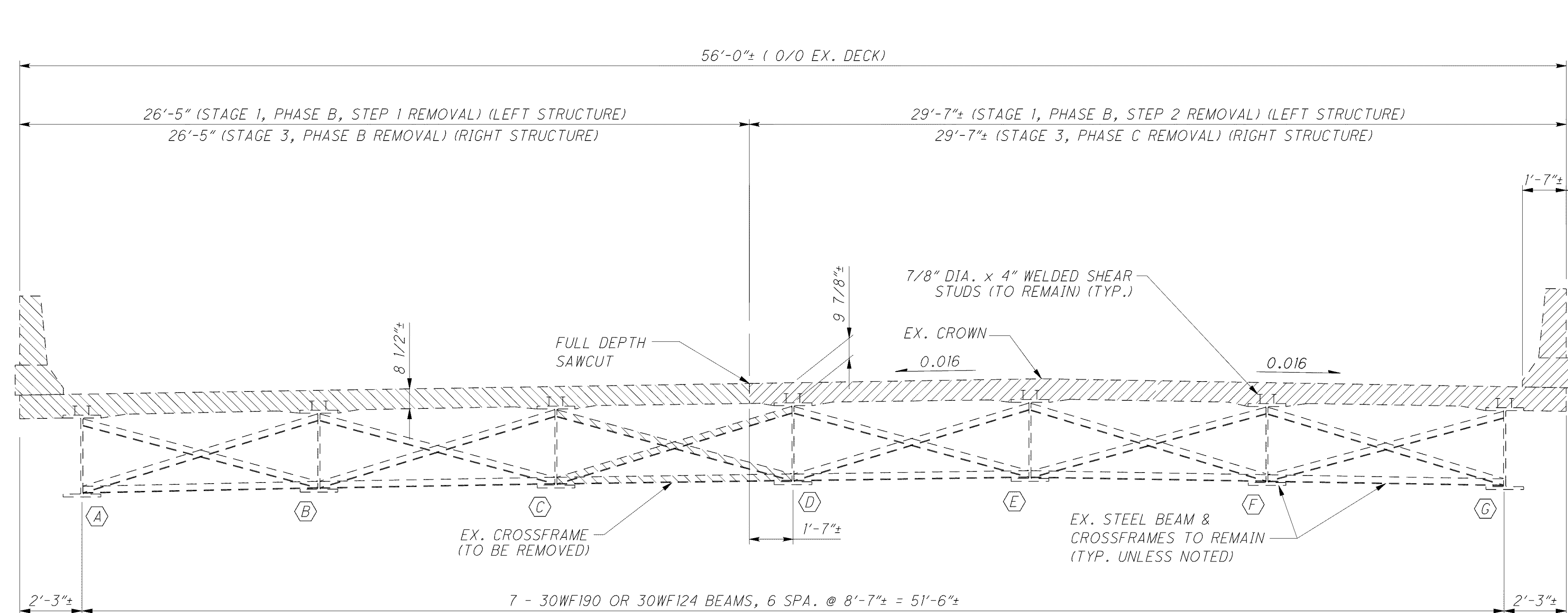
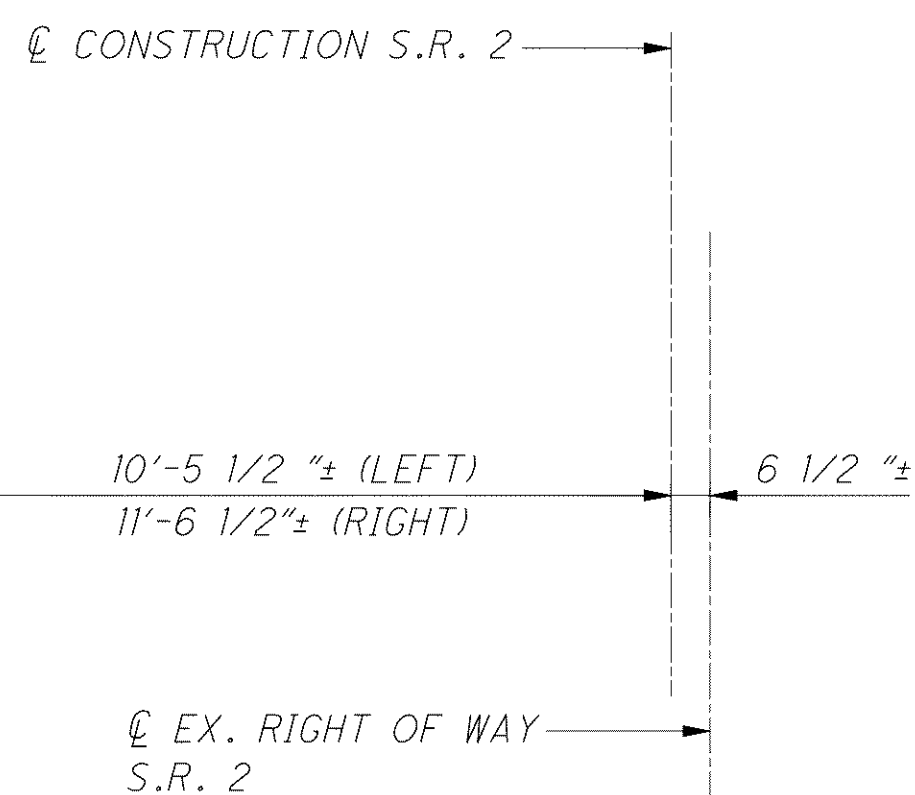


o:\project\c000048a001\drawing\lak\13486\bridge\lak002\_0363\sheets\002\_0363CRE002.dgn 6/24/2008 3:47:42 PM troxberry

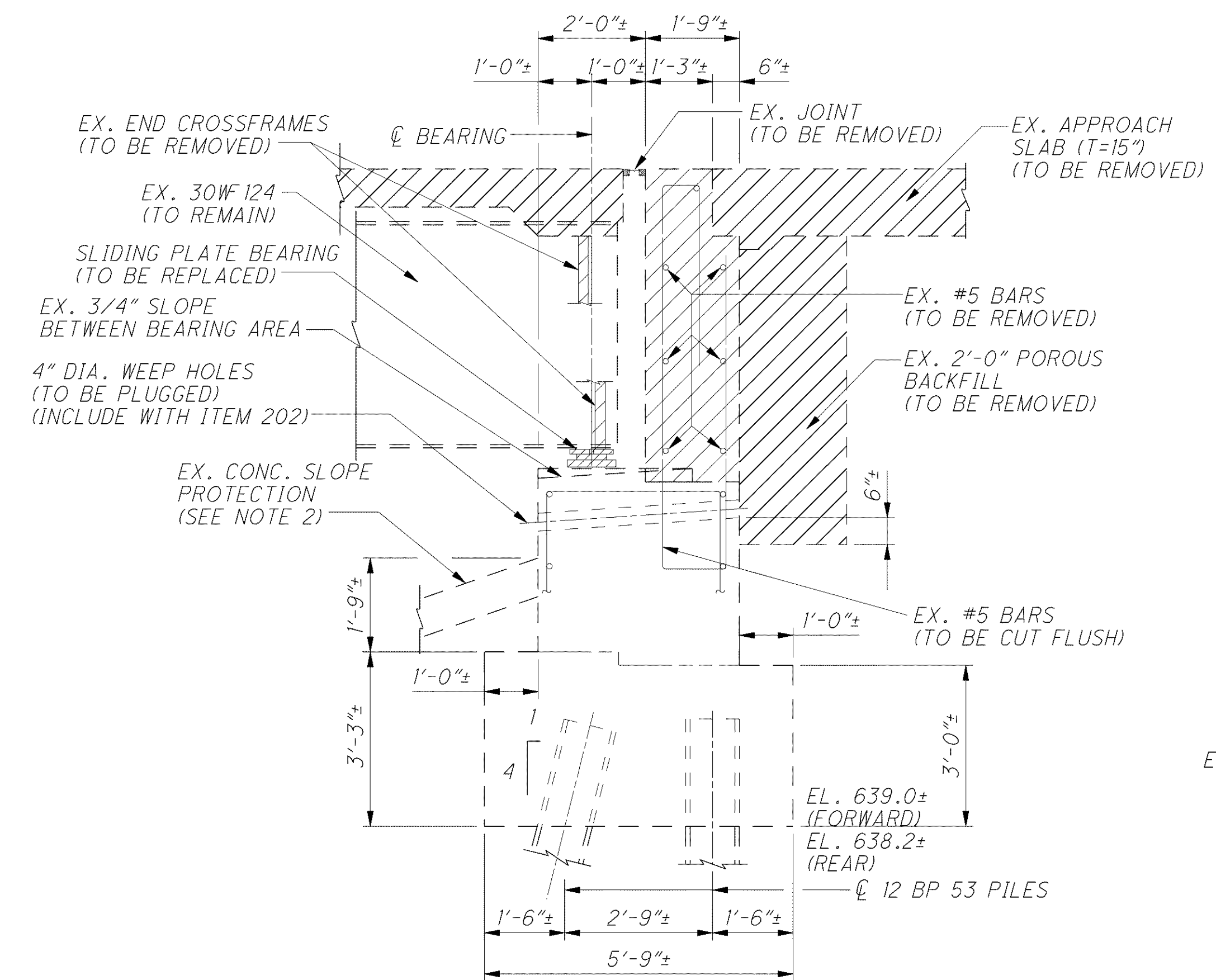


**EXISTING TRANSVERSE SECTION**  
(LEFT STRUCTURE SHOWN, RIGHT STRUCTURE SIMILAR)

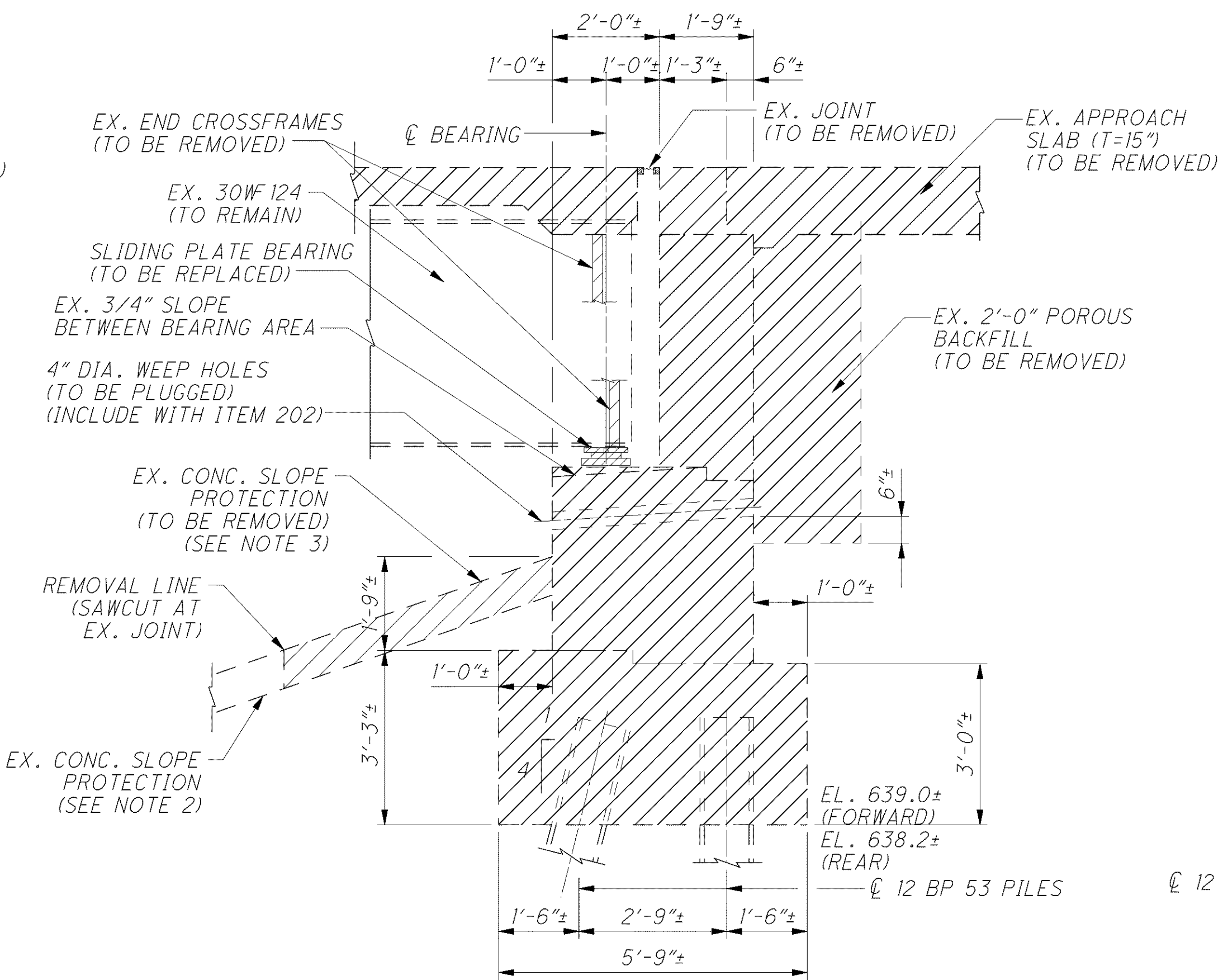


**NOTES:**

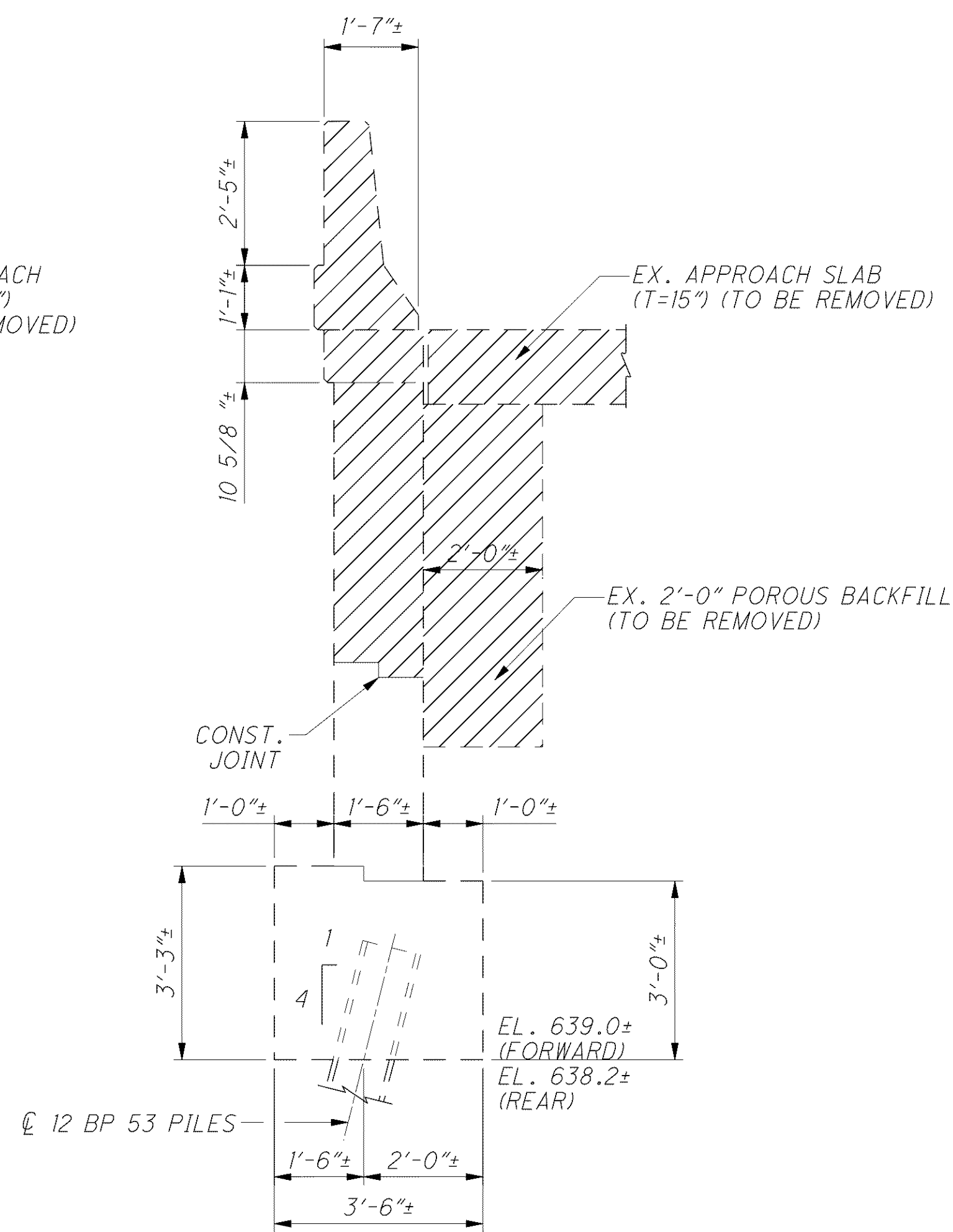
- FOR ABUTMENT PLAN AND ELEVATION, SEE SHEET 8 | 44 .
- CONCRETE SLOPE PROTECTION SHALL BE REPLACED AS DIRECTED BY THE ENGINEER. A QUANTITY OF 150 SQUARE YARDS HAS BEEN ESTIMATED AND INCLUDED IN ITEM 601, CONCRETE SLOPE PROTECTION, AS PER PLAN.
- REMOVE CONCRETE SLOPE PROTECTION AS SHOWN TO FACILITATE REMOVAL OF EXISTING ABUTMENT AND CONSTRUCTION OF PROPOSED ABUTMENT. INCLUDE WITH ITEM 202 FOR PAYMENT.
- FOR LOCATIONS OF ADDITIONAL CROSSFRAMES REMOVALS, SEE SHEET 21 | 44 .
- THE EXISTING PIER BEARINGS SHALL BE REMOVED.



**SECTION A-A**



**SECTION B-B**



**SECTION C-C**

DESIGN AGENCY <b>ARCADIS</b> ARCADIS U.S., Inc. 100 Superior Avenue, Suite 1250 Cleveland, Ohio 44114 Tel: 216-781-6777 Fax: 216-781-6243 www.arcadis-us.com	DATE 5/07
	REVIEWED RBB
DESIGNED SKS	DRAWN MPB
CHECKED CMD	REVISED
STRUCTURE FILE NUMBER 4300483(L) 4300615(R)	
REMOVAL DETAILS BRIDGE NO. LAK-2-0363 L&R STATE ROUTE 2 OVER EAST 361 ST STREET	
LAK-2-3.32 PID 13486	
9 / 44	
1280 1679	