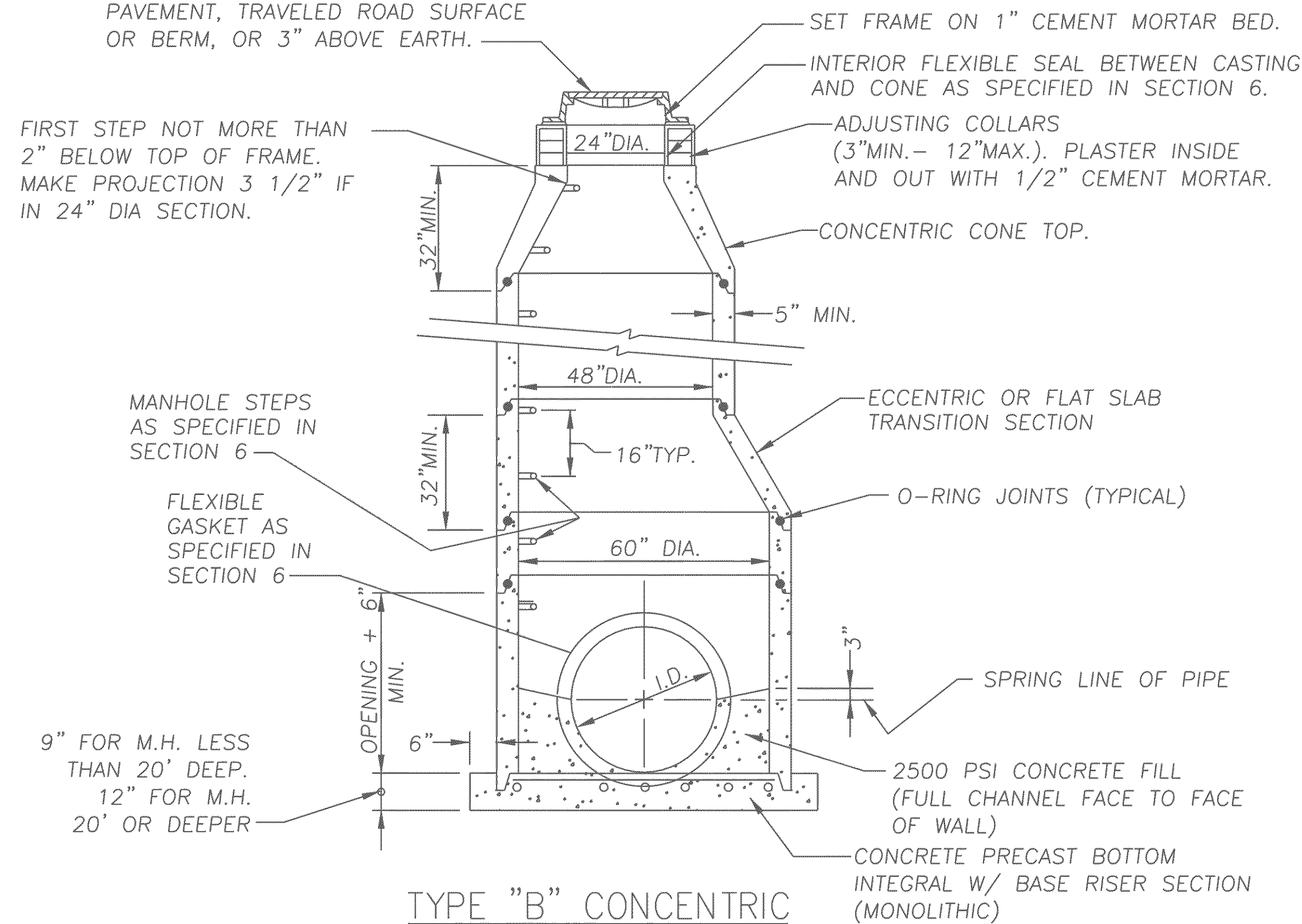


SANITARY SEWER AND WATER WORK SUBSUMMARY

SHEET NO.	202				603	603	603	603	603	604	604	SPECIAL	SPECIAL	SPECIAL	202	638			
	PIPE REMOVED 24" AND UNDER	PIPE REMOVED OVER 24"	MANHOLE REMOVED	MANHOLE ABANDONED	18" CONDUIT, TYPE B 706.03	18" CONDUIT, TYPE C 706.03	27" CONDUIT, TYPE B 706.03	36" CONDUIT, TYPE B 706.03	36" CONDUIT, TYPE C 706.03	MANHOLE, ADJUST TO GRADE	MANHOLE, RECONSTRUCTED TO GRADE	MANHOLE, AS PER PLAN, TYPE A	MANHOLE, AS PER PLAN, TYPE B	FILL AND PLUG EXISTING CONDUIT	VALVE REMOVED	16" STEEL PIPE ENCASUREMENT, OPEN CUT	SPECIAL - 8" WATER MAIN, DUCTILE IRON PIPE, ANSI CLASS 53, PUSH-ON JOINT AND CAST IRON MECHANICAL JOINT FITTINGS	SPECIAL - 8" GATE VALVE WITH VALVE BOX	SPECIAL - WATER MAINTENANCE OF WATER SERVICE
	FT	FT	EACH	EACH	FT	FT	FT	FT	FT	EACH	EACH	EACH	EACH	FT	EACH	FT	FT	EACH	LUMP
1030B	38	240	1	2	10				337	307		1		3	369				
1031	476		2			476						4							
1032		765	1				770			2			1						
1033	345													2	20	300	2	1	
TOTALS CARRIED TO GENERAL SUMMARY	859	1005	4	2	10	476	770	337	307	2	1	4	4	369	2	20	300	2	1

STANDARD MANHOLE FRAME AND COVER, AS SPECIFIED IN SECTION 6. MAKE FLUSH WITH RIGID OR FLEXIBLE PAVEMENT, TRAVELED ROAD SURFACE OR BERM, OR 3" ABOVE EARTH.

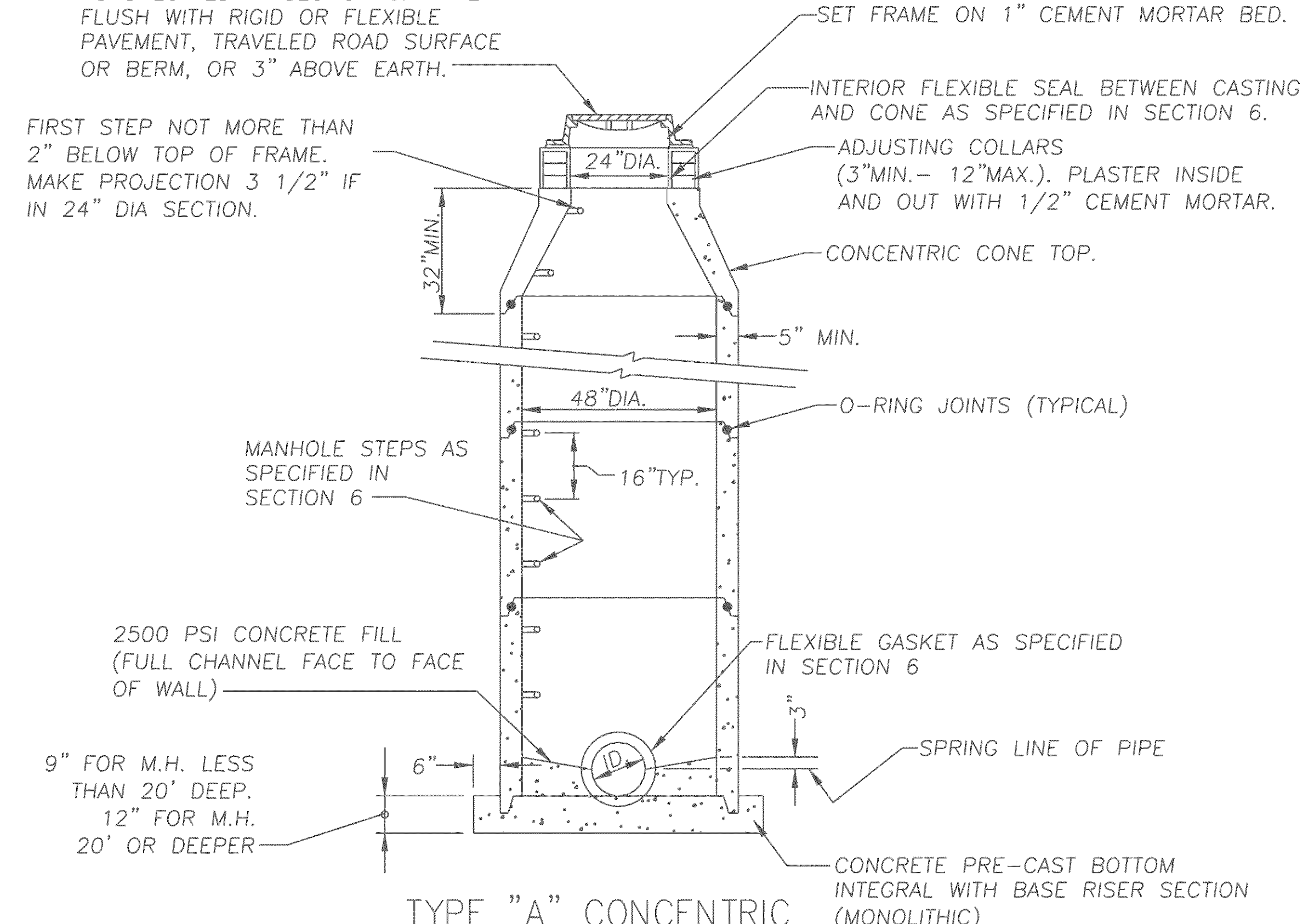
FIRST STEP NOT MORE THAN 2" BELOW TOP OF FRAME. MAKE PROJECTION 3 1/2" IF IN 24" DIA SECTION.



TYPE "B" CONCENTRIC MANHOLE DETAIL

STANDARD MANHOLE FRAME AND COVER, AS SPECIFIED IN SECTION 6. MAKE FLUSH WITH RIGID OR FLEXIBLE PAVEMENT, TRAVELED ROAD SURFACE OR BERM, OR 3" ABOVE EARTH.

FIRST STEP NOT MORE THAN 2" BELOW TOP OF FRAME. MAKE PROJECTION 3 1/2" IF IN 24" DIA SECTION.



TYPE "A" CONCENTRIC MANHOLE DETAIL

NOTE:

1) ALL PRECAST CONCRETE SHALL BE REINFORCED IN ACCORDANCE WITH THE LATEST REVISIONS OF A.S.T.M. DESIGNATION C-478. ALL PRECAST CONCRETE SECTIONS SHALL BE MANUFACTURED AND FURNISHED AS SOLID SECTIONS WITHOUT LIFT HOLES OF ANY KIND.

2) MANHOLES SHALL BE PERFECTLY PLUMB. THOROSEAL INSIDE OF SANITARY MANHOLES ONLY, FULL DEPTH (ANY COLOR BUT GRAY). ALL JOINTS AND CONNECTIONS TO BE WATER PLUGGED.

ITEM 604 - MANHOLE, MISC.: TYPE A OR B
LAKE COUNTY DEPARTMENT OF UTILITIES
STANDARD SANITARY MANHOLE DETAIL