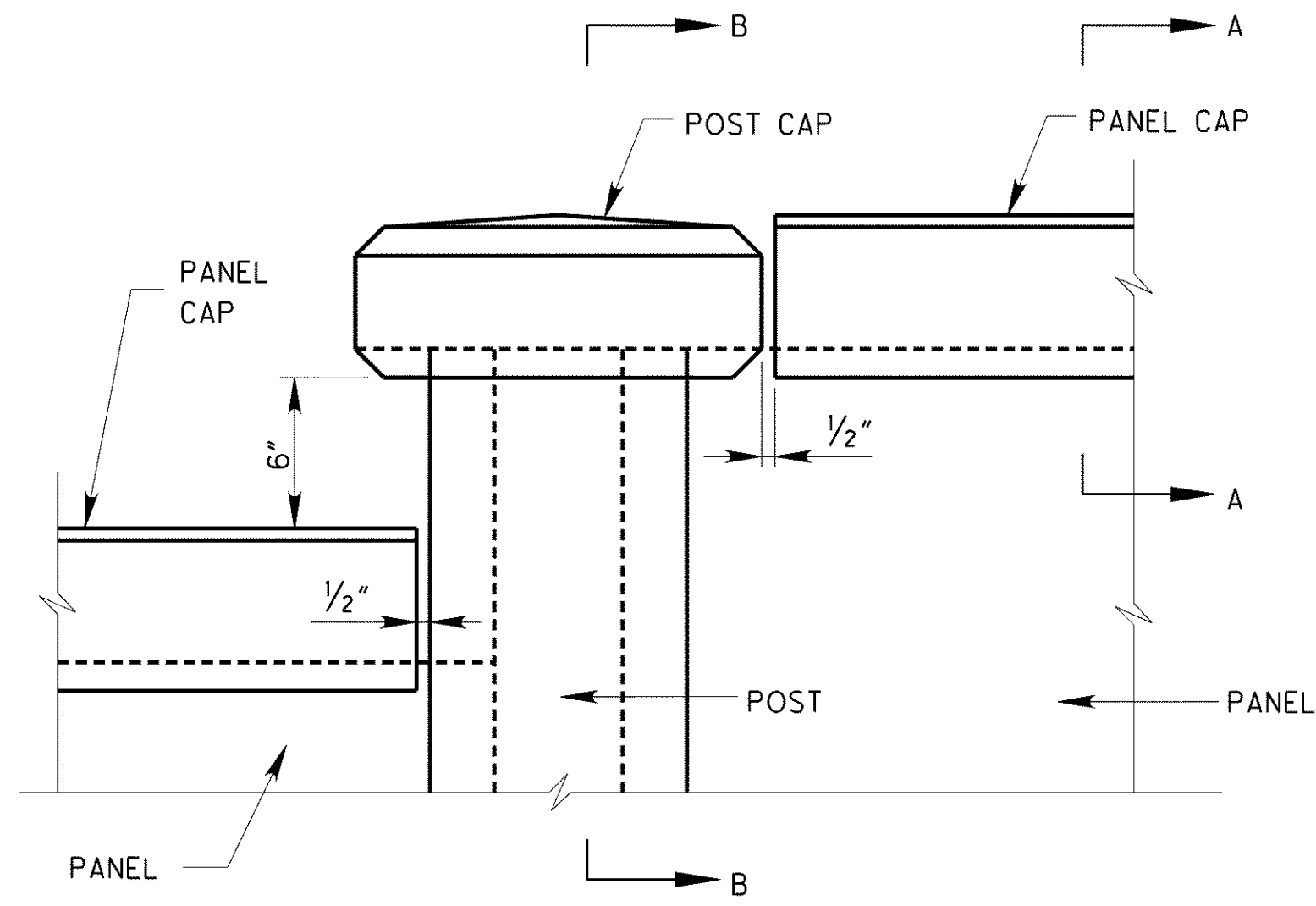
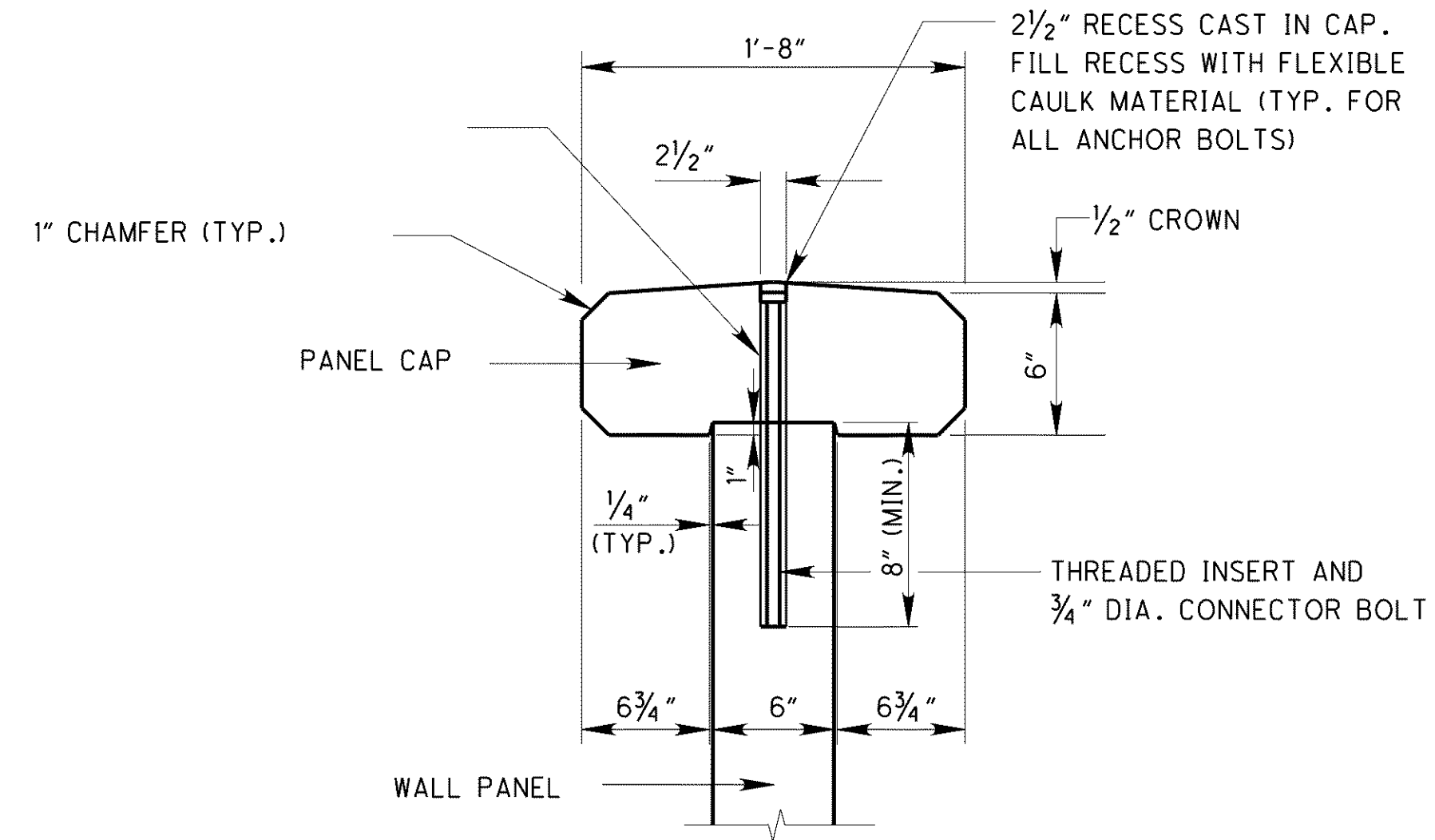


o:\project\lak\13486_structures\noisebarrier\sheet\13486ND03.dgn 6/25/2008 2:51:12 PM chaneman

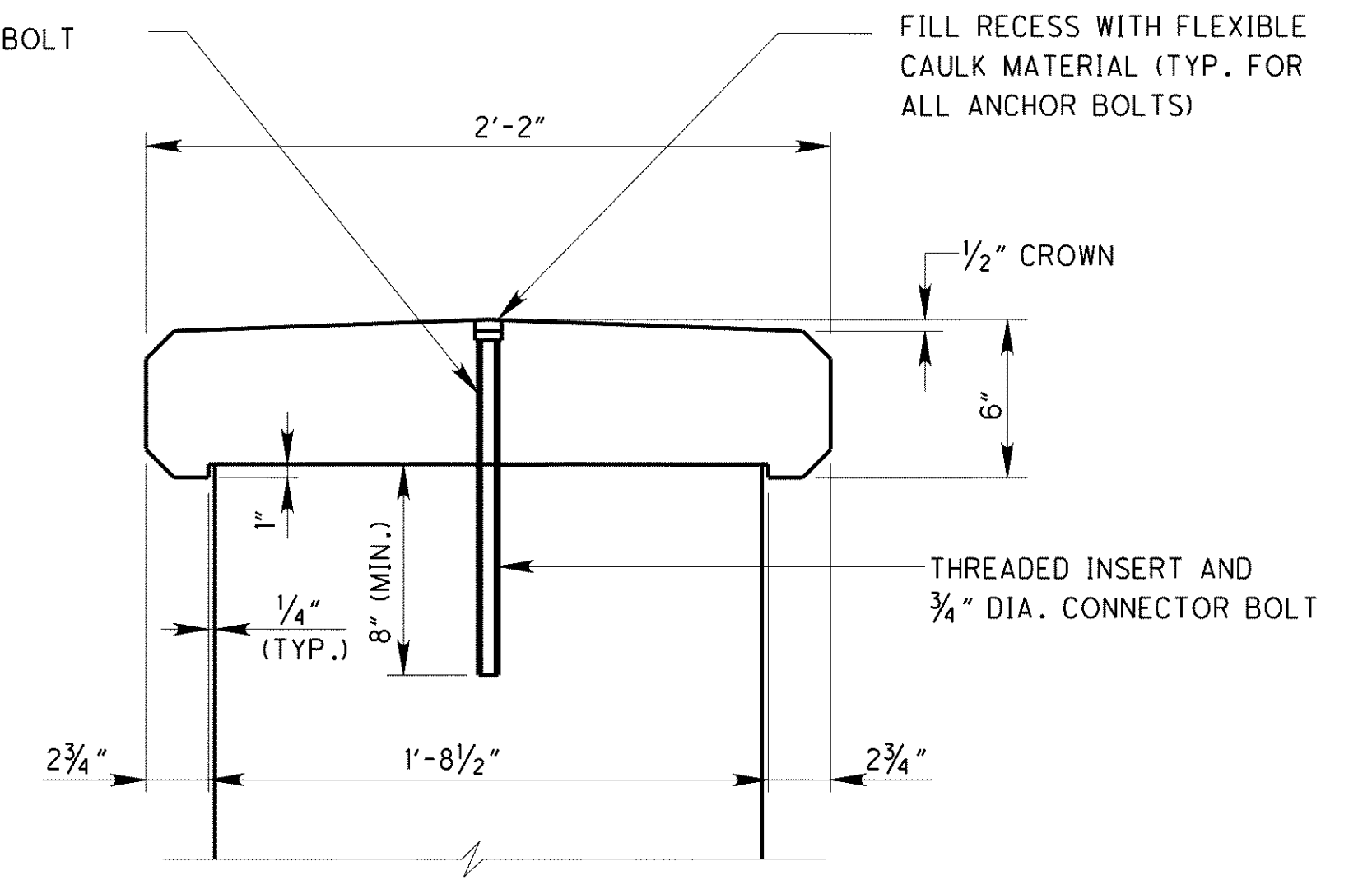


PARTIAL ELEVATION

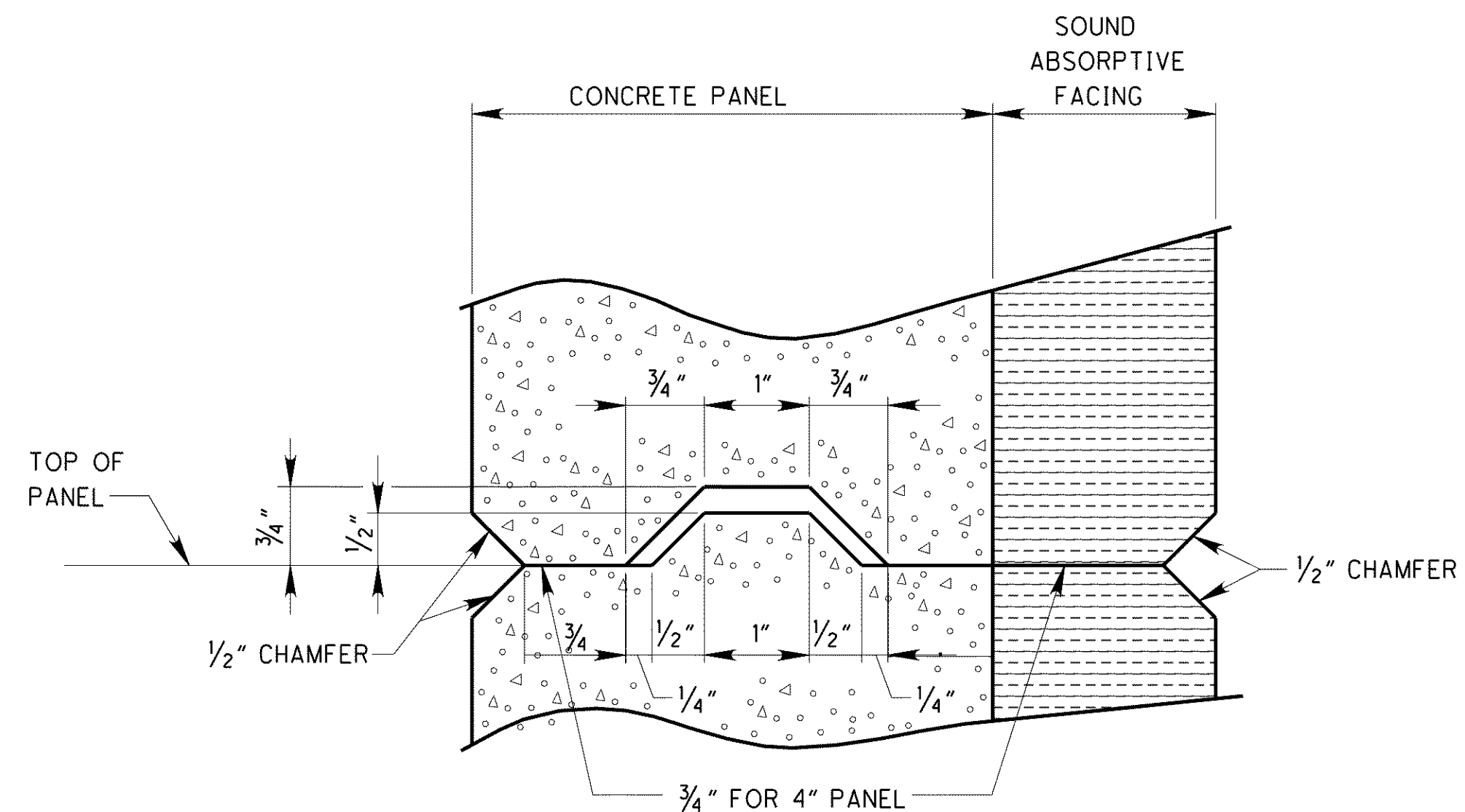


SECTION A-A

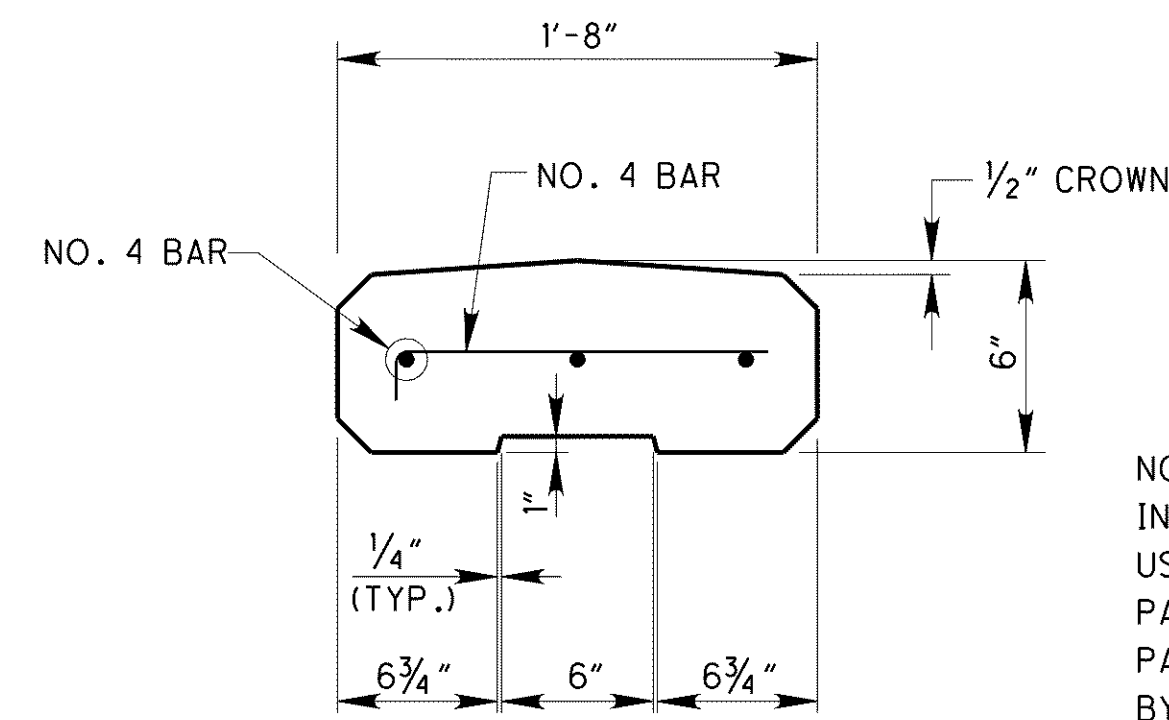
1" DIA. HOLE FOR 3/4" DIA. ANCHOR BOLT



SECTION B-B

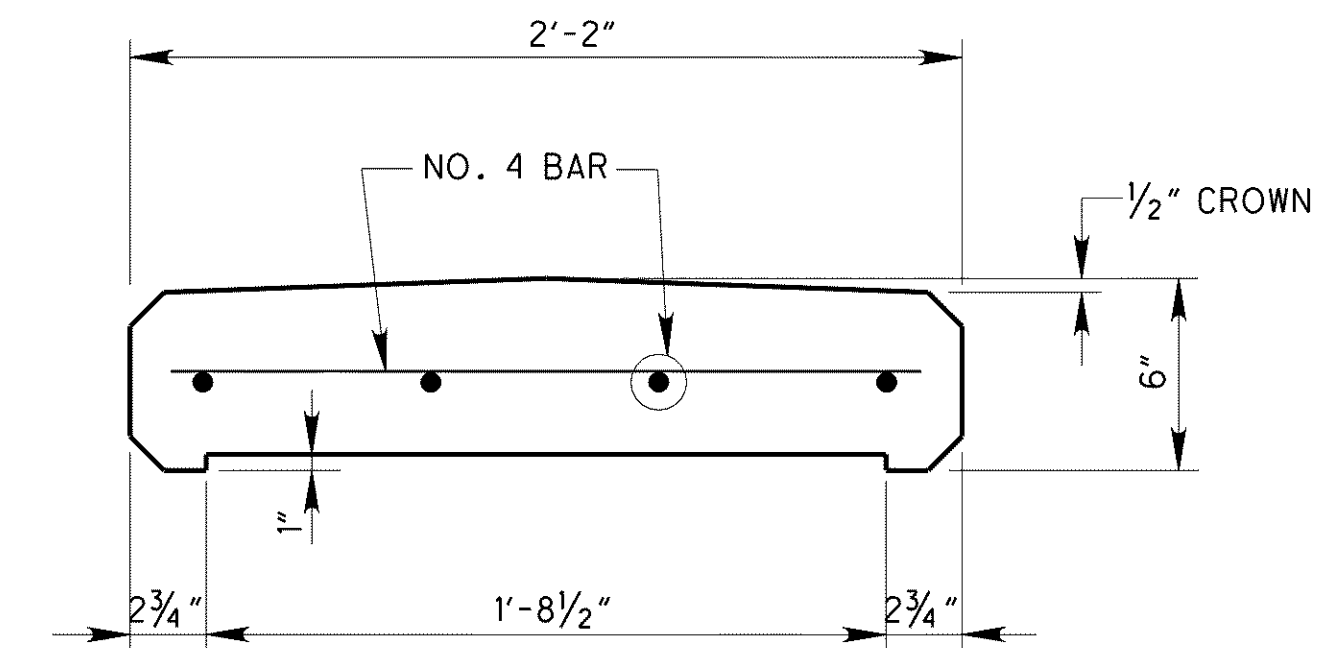


DETAIL AT HORIZONTAL JOINT
SINGLE SIDED
SOUND ABSORPTIVE PANEL

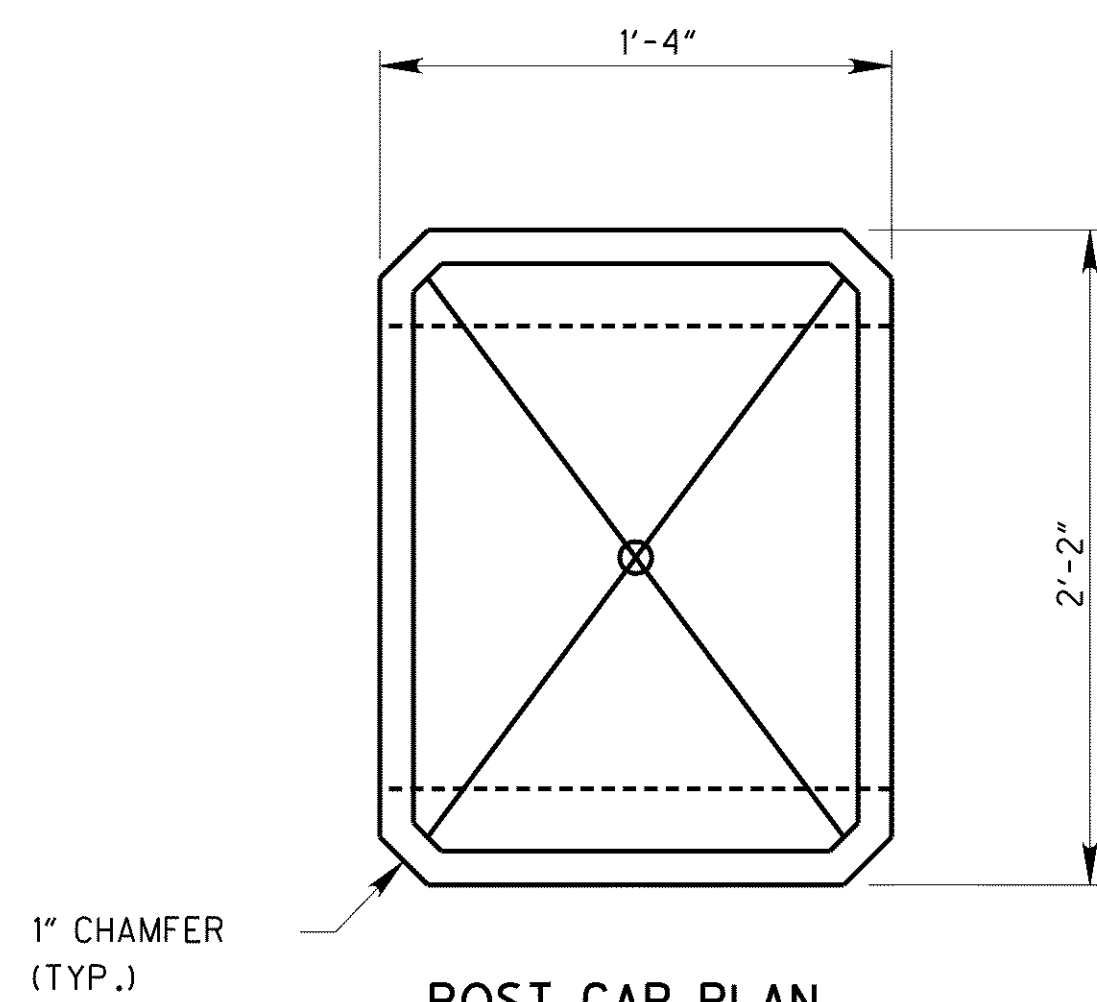


PANEL CAP DETAIL

NOTE:
INTEGRAL PANEL CAP MAY BE
USED IN PLACE OF SEPERATE
PANEL CAP. INTEGRAL CAP &
PANEL DETAIL TO BE APPROVED
BY ENGINEER PRIOR TO USE.

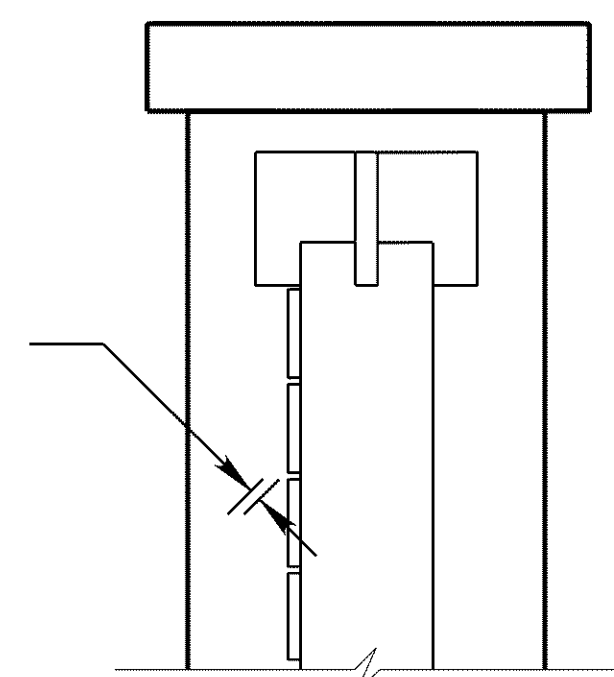


POST CAP DETAIL

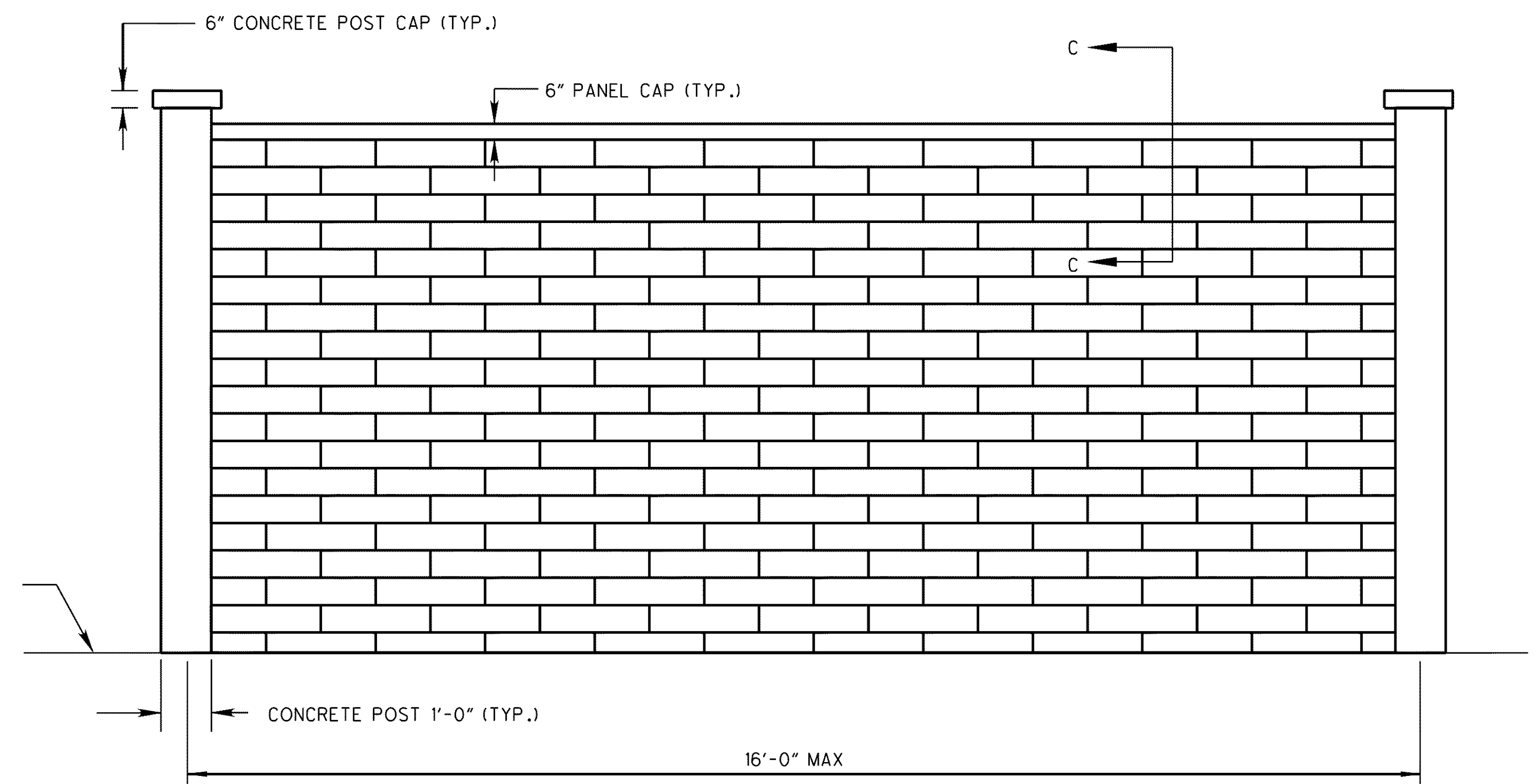


POST CAP PLAN

BRICK RELIEF 3/8" (TYP.)



SECTION C-C



NOISE WALL DETAIL