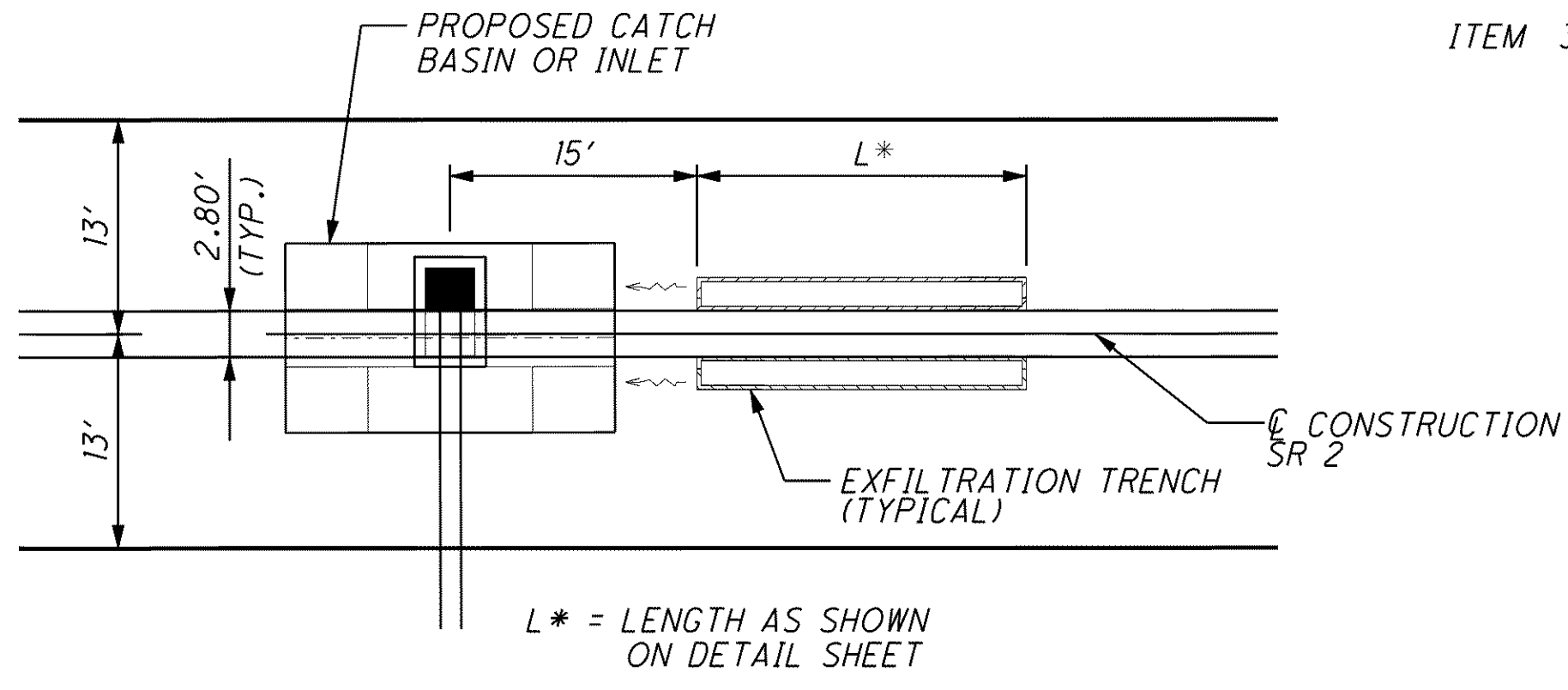
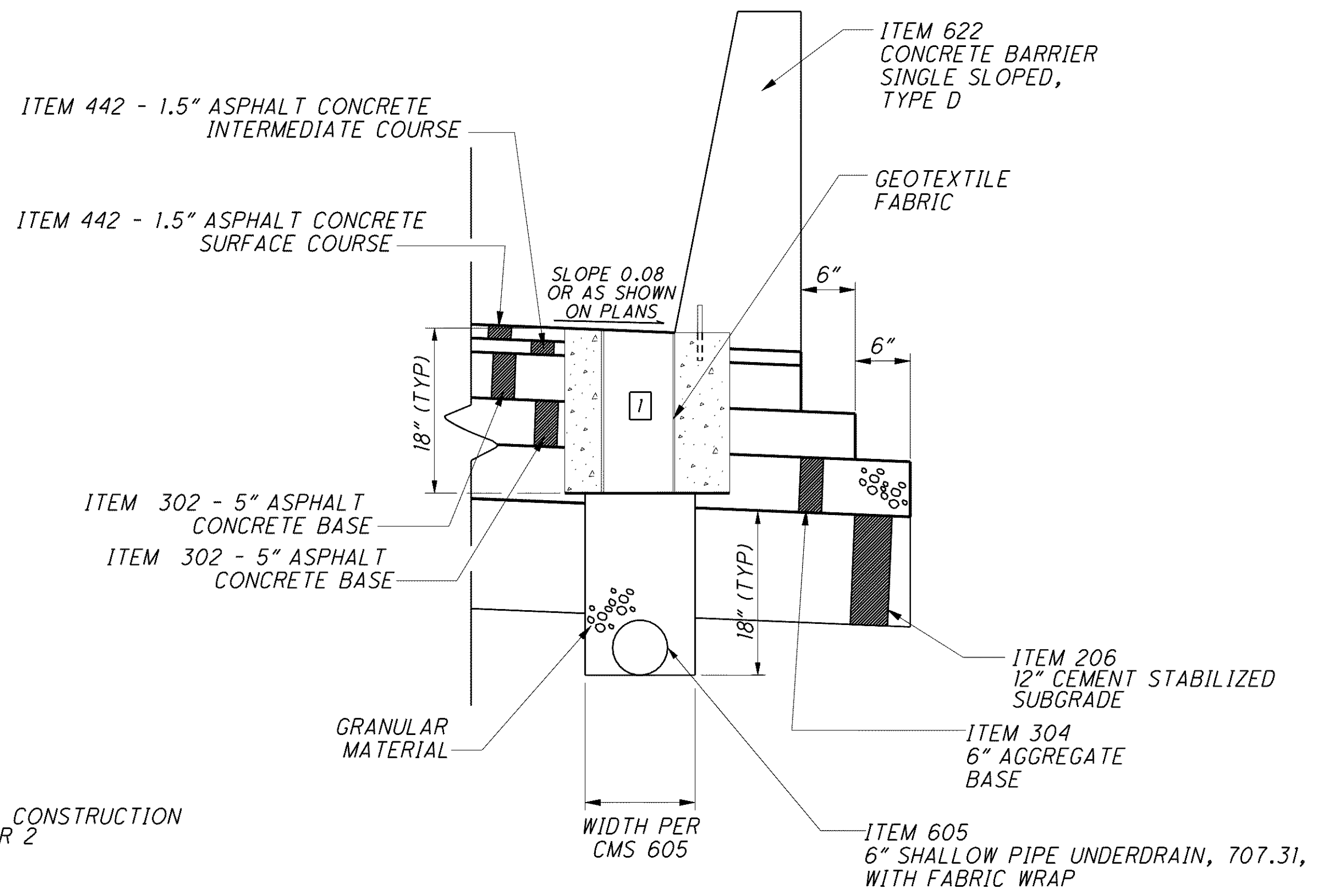


PROPOSED MEDIAN EXFILTRATION TRENCH DESIGN  
TYPE B - SECTION B-B  
BARRIER APPLICATION

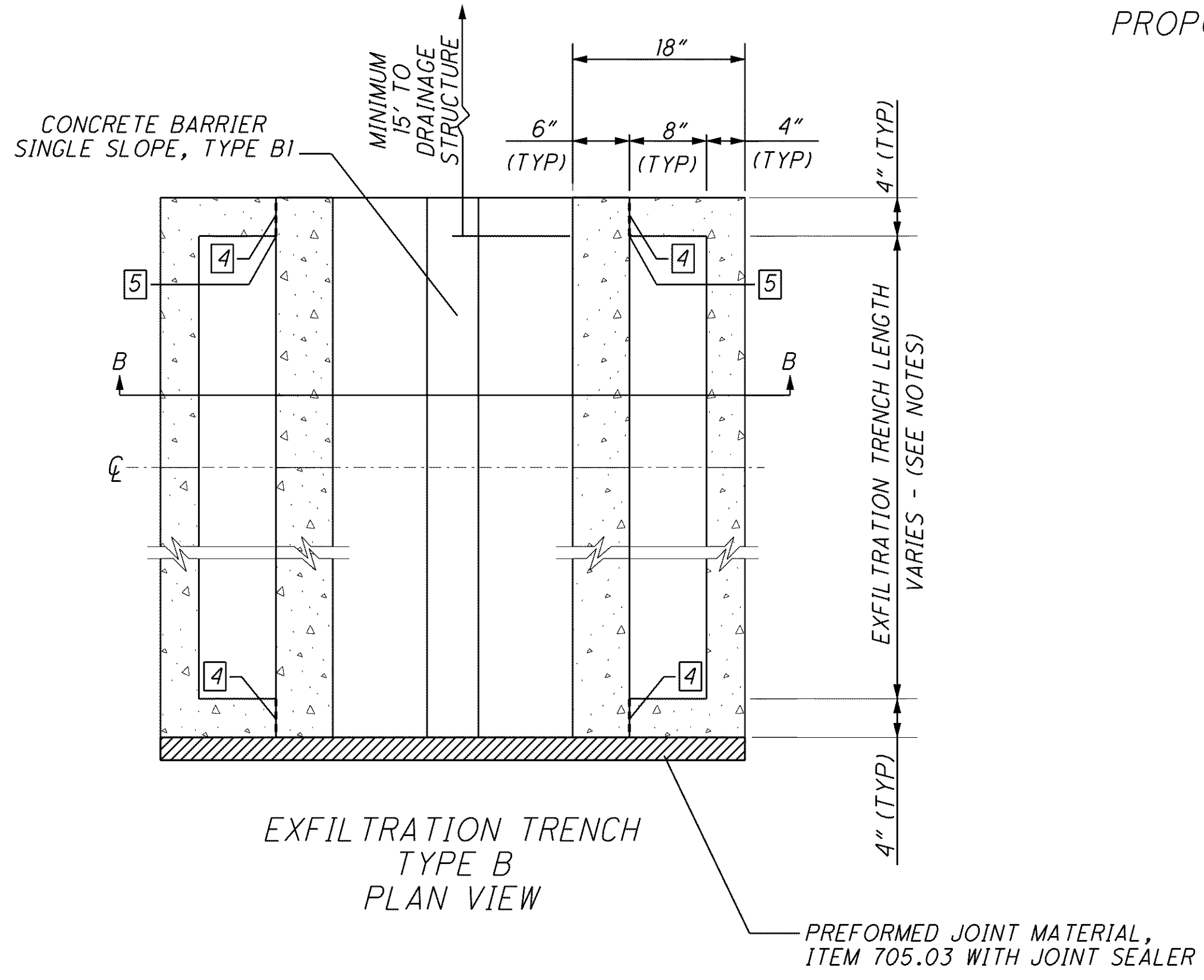
- NOTES:**
- FOR ALL CASES SHOWN, PAYMENT FOR THE PROPOSED WORK WILL BE COMPLETED UNDER ITEM 835 EXFILTRATION TRENCH, TYPE B, AS PER PLAN.
  - EXFILTRATION TRENCH FILTER MEDIA (SEE SS835)
  - WRAP 6" LAYER OF GRANULAR MATERIAL WITH GEOTEXTILE FABRIC PER CMS 712.09 TYPE A
  - FURNISH EXPANSION JOINT MATERIAL ACCORDING TO SCD BP-5.1 WHEN ABUTTING CONCRETE PAVEMENT OR APPROACH SLAB.
  - OPTIONAL CONSTRUCTION JOINT
  - LOCATION FOR STATION AND OFFSET. ELEVATION ACCORDING TO TYPICAL SECTION



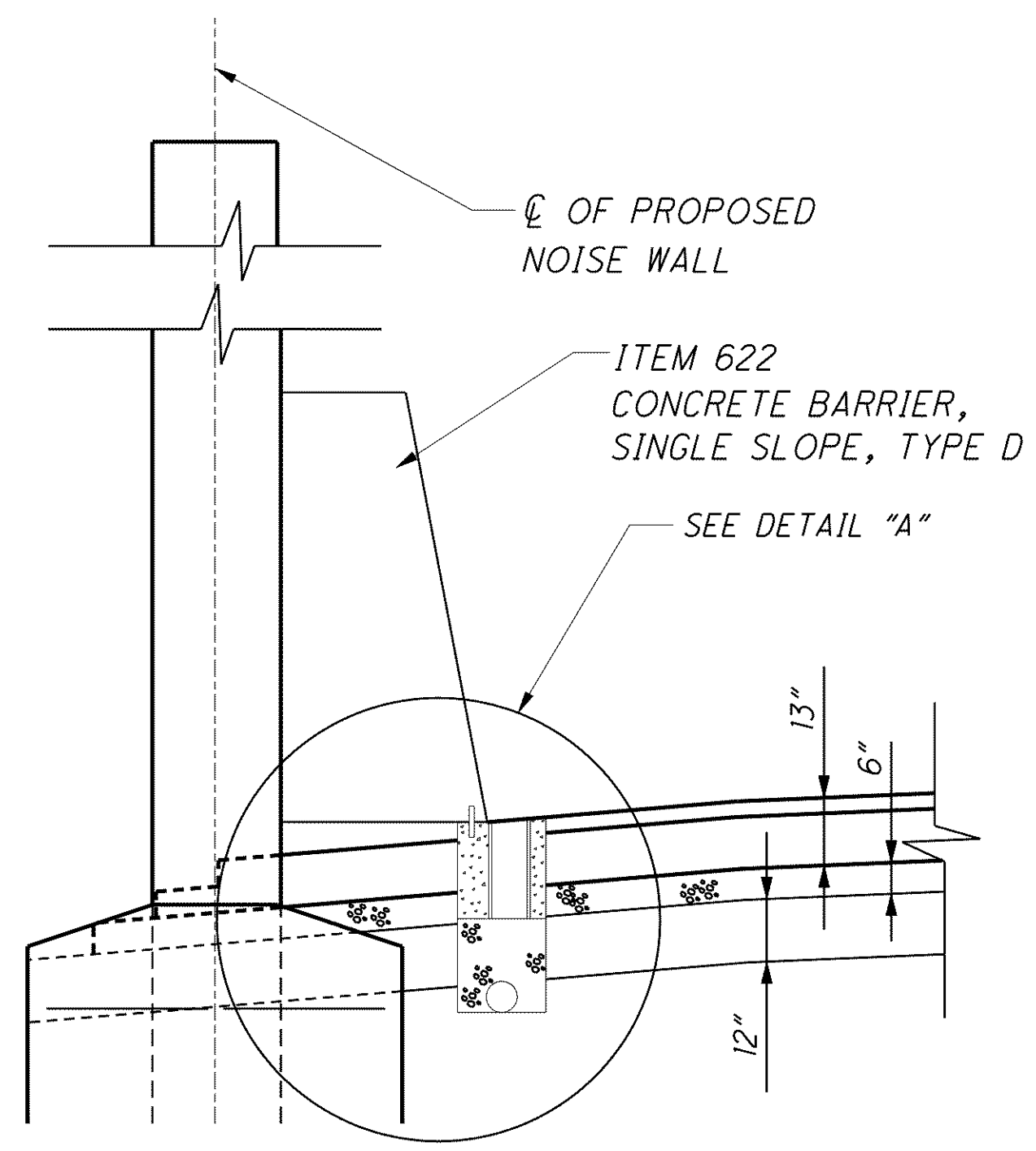
PROPOSED MEDIAN EXFILTRATION TRENCH LAYOUT  
PLAN VIEW



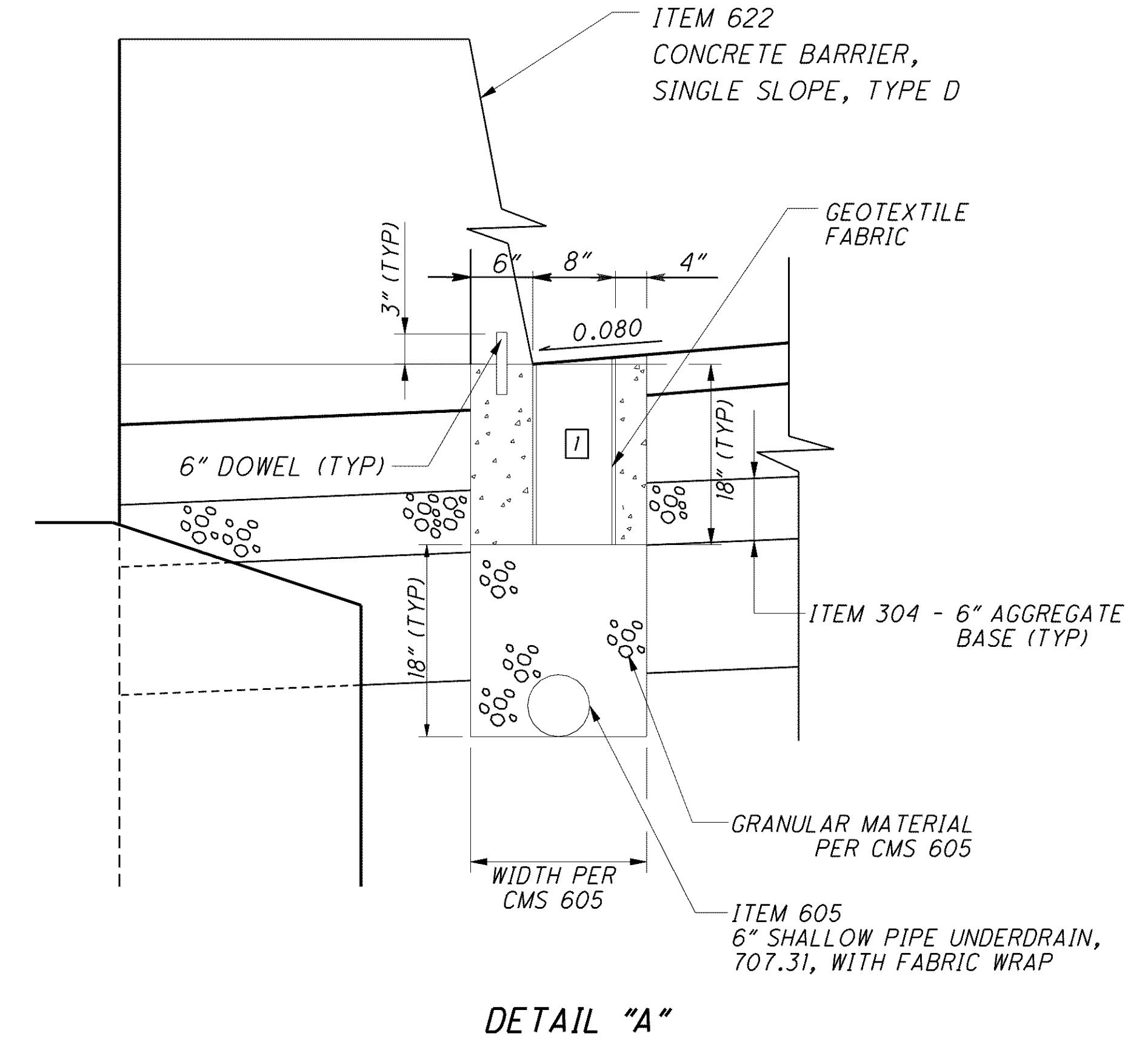
PROPOSED BARRIER PROTECTION  
EXFILTRATION TRENCH DESIGN



EXFILTRATION TRENCH  
TYPE B  
PLAN VIEW



PROPOSED NOISE WALL  
EXFILTRATION TRENCH DESIGN



DETAIL "A"

C:\Project\lak\13486\drainage\sheet\13486D1001.dgn 6/24/2008 1:16:14 PM choneman