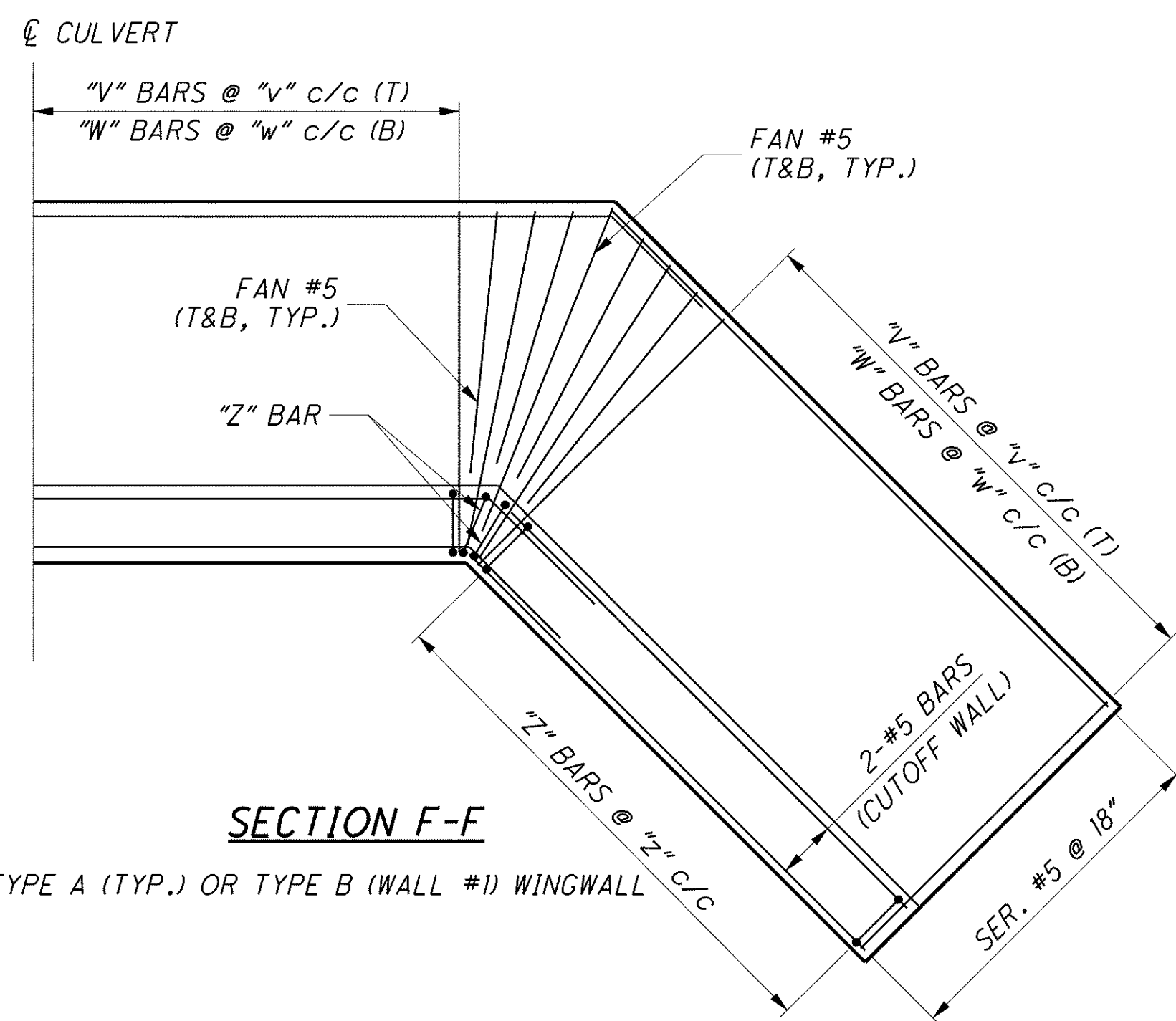


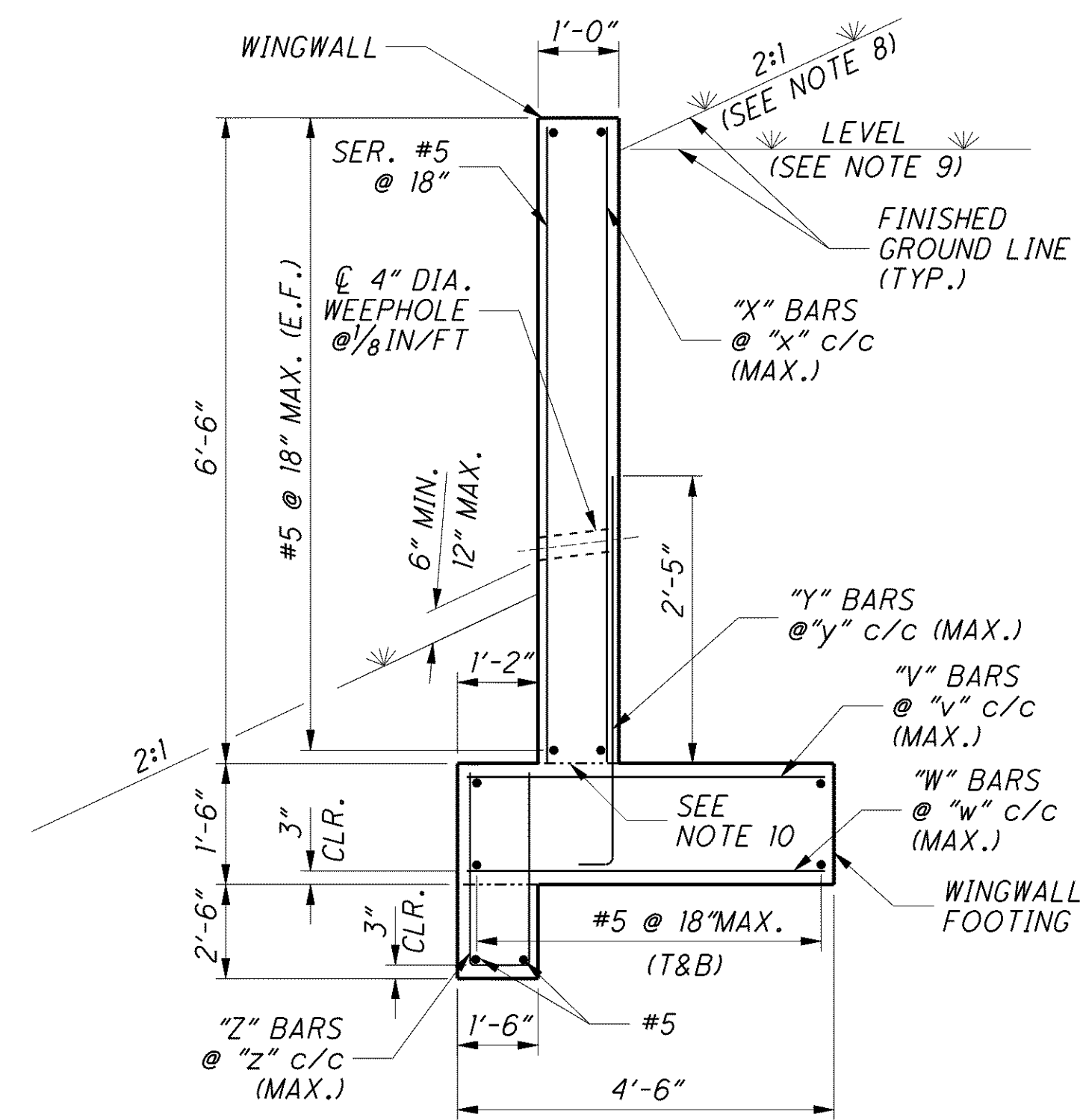
VIEW C-C

TYPE A (TYP.) OR TYPE B (WINGWALL #1)



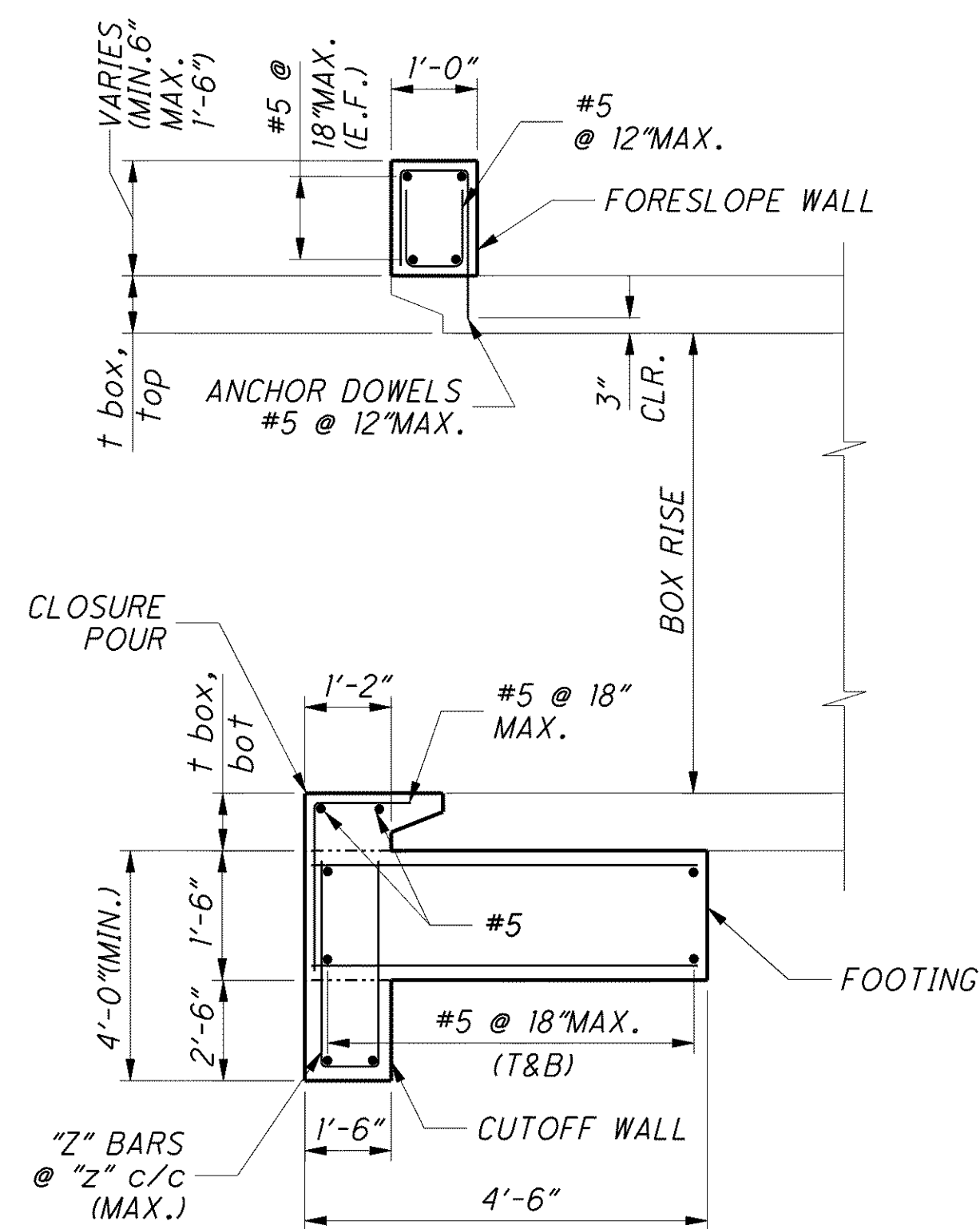
SECTION F-F

TYPE A (TYP.) OR TYPE B (WALL #1) WINGWALL



SECTION A-A

(POROUS BACKFILL NOT SHOWN FOR CLARITY)



SECTION B-B

(CULVERT INLET BEVEL SHOWN)