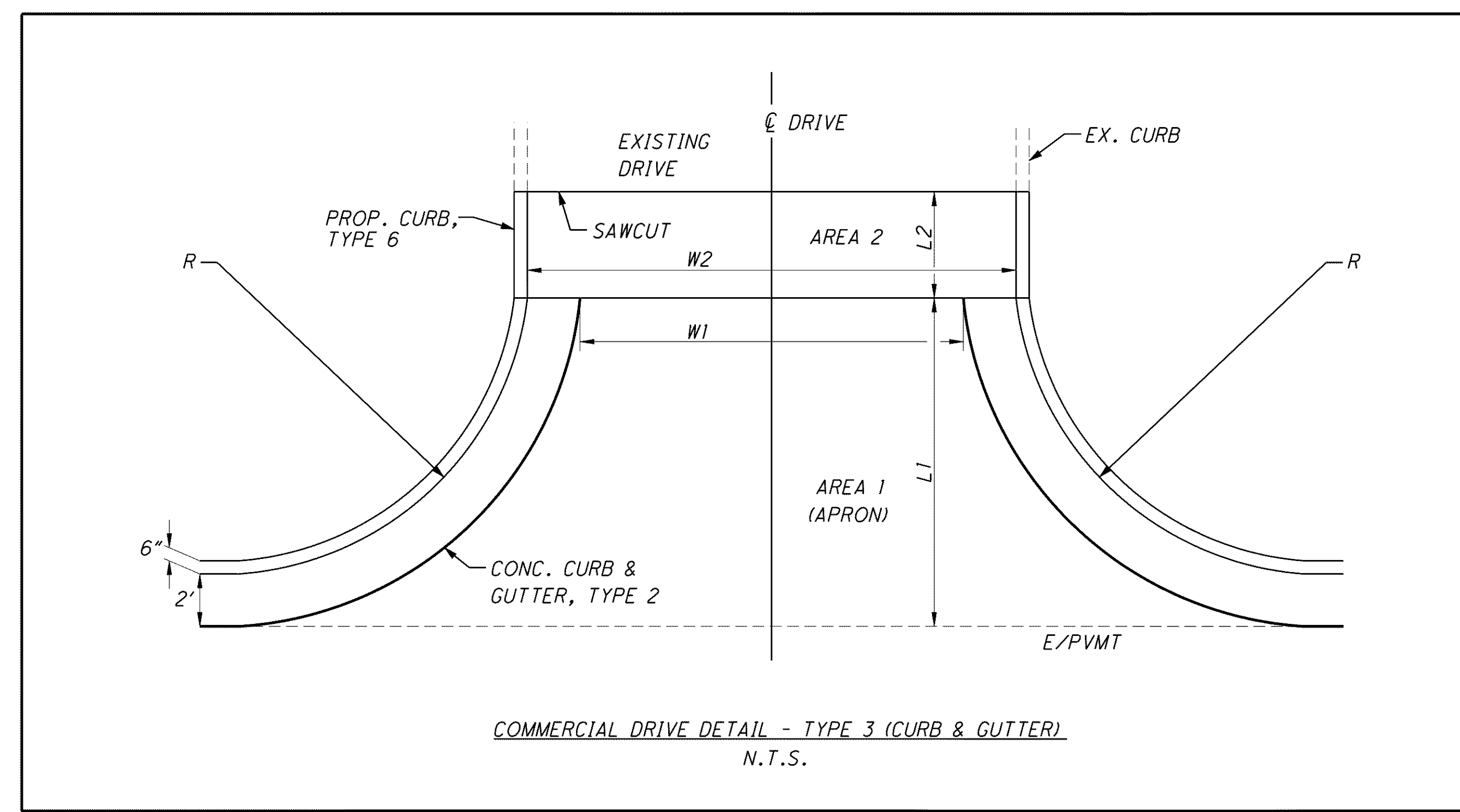
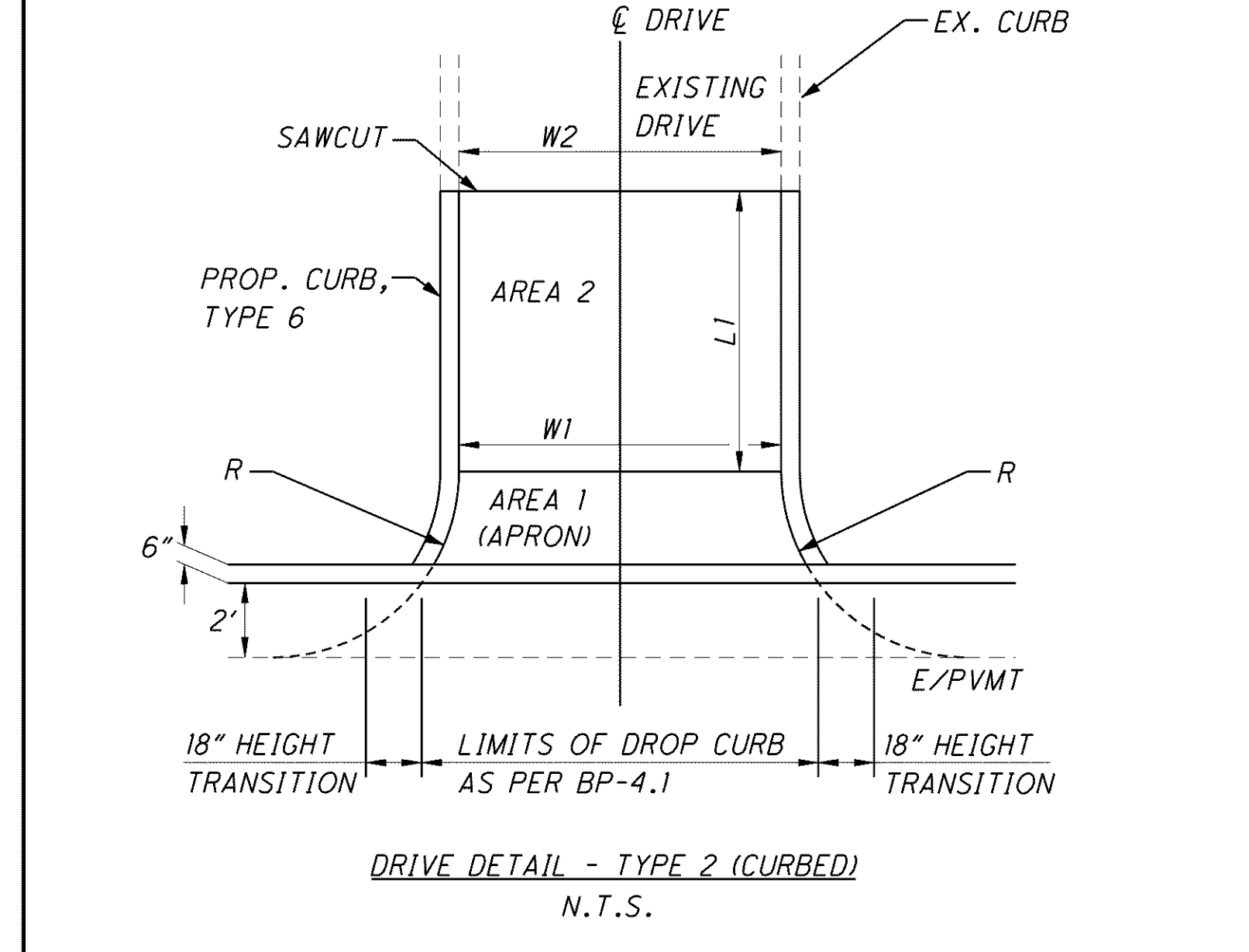
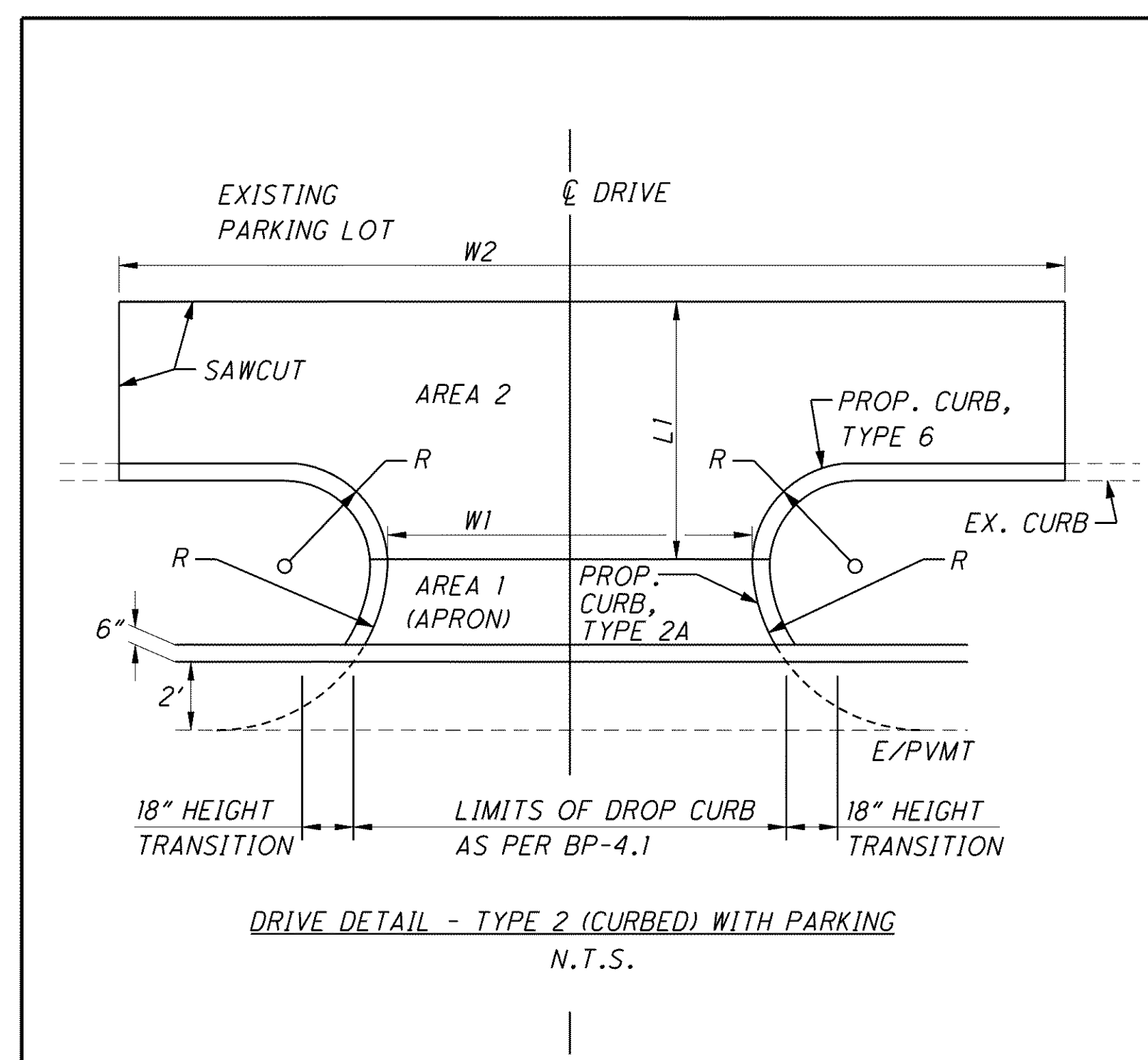
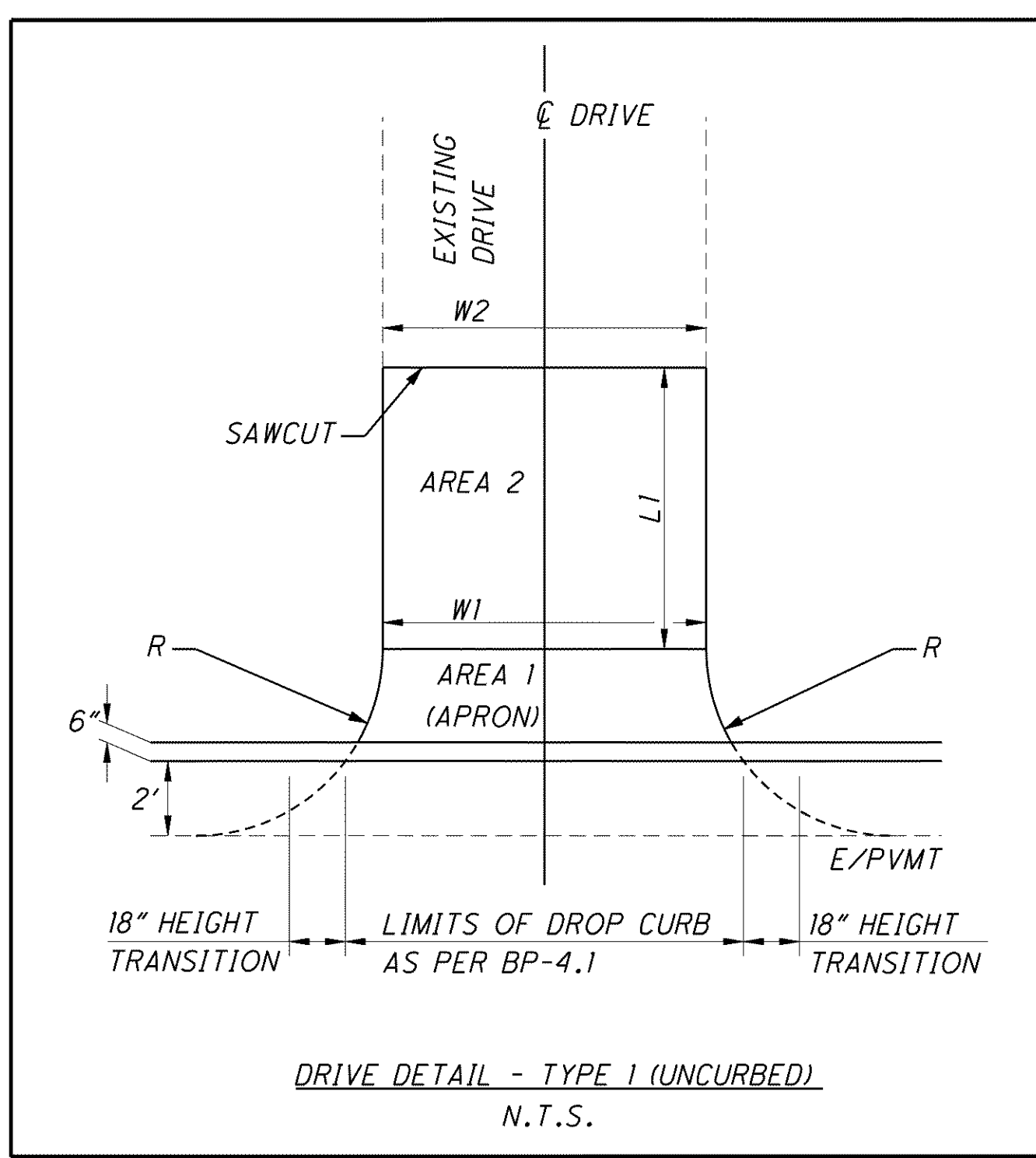


C:\Project\lak\13486\roadway\sheet\13486CD001.dgn 6/24/2008 12:17:37 PM chaneman



EXISTING MATERIALS	USAGE	INSIDE LIMITS OF APRON (AREA 1)	OUTSIDE LIMITS OF APRON (AREA 2)
GRAVEL	RESIDENTIAL	<u>TYPE 1 &amp; 2</u> 6" ITEM 452 NON-REINFORCED CONCRETE PAVEMENT	8" ITEM 304 AGGREGATE BASE
ASPHALT			2" ITEM 448 ASPHALT CONCRETE SURFACE COURSE, TYPE 1, PG 64-22 (DRIVEWAYS) ITEM 408 PRIME COAT @ 0.40 GAL/S.Y. 6" ITEM 304 AGGREGATE BASE
CONCRETE			SAME COMPOSITION AS AREA 1
GRAVEL	COMMERCIAL	<u>TYPE 1 &amp; 2</u> 8" ITEM 452 NON-REINFORCED CONCRETE PAVEMENT	10" ITEM 304 AGGREGATE BASE
ASPHALT			1/4" ITEM 448 ASPHALT CONCRETE SURFACE COURSE, TYPE 1, PG 64-22 (DRIVEWAYS) 1 3/4" ITEM 448 ASPHALT CONCRETE INTERMEDIATE COURSE, TYPE 2, PG 64-22 (DRIVEWAYS) ITEM 408 PRIME COAT @ 0.40 GAL/S.Y. 8" ITEM 304 AGGREGATE BASE
CONCRETE			SAME COMPOSITION AS AREA 1

NOTE: LIMITS OF CONCRETE APRON AS PER DETAILS ON THIS SHEET UNLESS OTHERWISE NOTED ON SITE SPECIFIC DETAILS, SHEETS 835 TO 839.

CALCULATED  
DES  
CHECKED  
TAA

HORIZONTAL SCALE IN FEET  
LAK - 2 - 3.32  
LOST NATION ROAD & ST. CLAIR STREET

836  
1679