

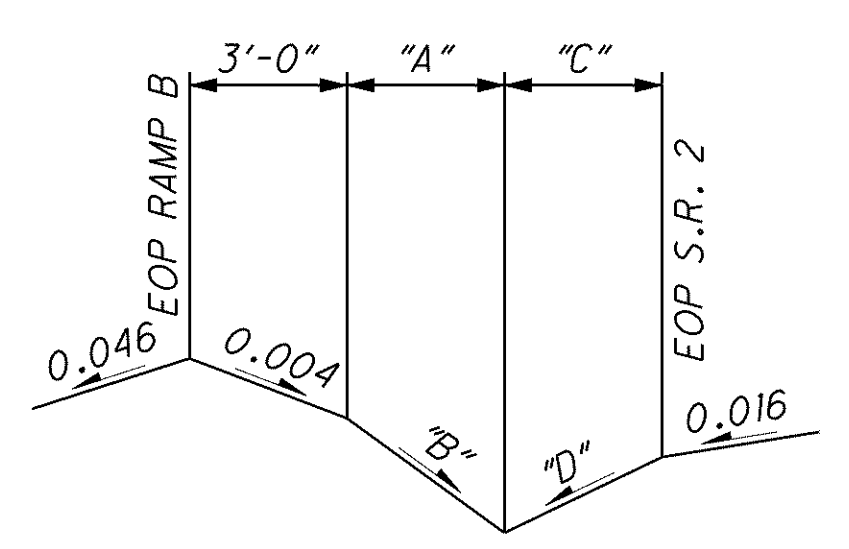
TAPER CODE	BEGINNING STATION	ENDING STATION	SIDE	DESCRIPTION	BEGIN WIDTH	END WIDTH	TAPER RATE
BC	177+40.08	177+90.08	RT.	SHOULDER	6.00'	8.00'	25:1

81 CONST. S.R. 91 RAMP B PROPOSED CURVE
 P.I. STA. 174+40.29
 $\Delta = 12^\circ 01' 41''$ (RT)
 $D_c = 4^\circ 00' 00''$
 $R = 1432.39'$
 $T = 150.91'$
 $L = 300.70'$
 $E = 7.93'$
 $e_{max} = 0.0460$
 $SC = 172+89.38$
 $CS = 175+90.08$

82 CONST. S.R. 91 RAMP B PROPOSED SPIRAL
 P.I. STA. 176+56.78
 $L_s = 200.00'$
 $\theta_s = 1^\circ 20' 00''$
 $LT = 133.37'$
 $ST = 66.70'$
 $x = 199.90'$
 $y = 4.65'$
 $k = 99.98'$
 $p = 1.16'$
 $SC = 175+90.08$
 $ST = 177+90.08$

* GORE SLOPE INFORMATION
 READ FROM M/L EOP TO RAMP B EOP
 STA. 275+48.76 20.06' @ -0.007
 STA. 275+73.68 17.24' @ -0.018
 STA. 275+98.85 14.87' @ -0.040
 STA. 276+24.02 13.08' @ -0.044
 STA. 276+49.18 11.81' @ -0.047
 STA. 276+74.32 10.85' @ -0.044
 STA. 276+99.45 10.15' @ -0.037
 STA. 277+24.54 9.64' @ -0.031
 STA. 277+49.60 9.28' @ -0.025
 STA. 277+74.64 9.00' @ -0.017
 STA. 277+89.72 9.00' @ -0.012

▲ SEE SECTION A-A FOR DETAILS



SECTION A-A

GORE SLOPE INFORMATION				
STATION	"A"	"B"	"C"	"D"
275+25.76	6.76'	0.050	13.24'	0.014
275+37.54	7.72'	0.014	10.72'	0.013

