

0 20 40  
HORIZONTAL SCALE IN FEET

CALCULATED  
CML  
CHECKED  
MVJ

GORE DETAIL  
S.R. 2 / RAMP A AT S.R. 91

LAK-2-3.32

791  
1679

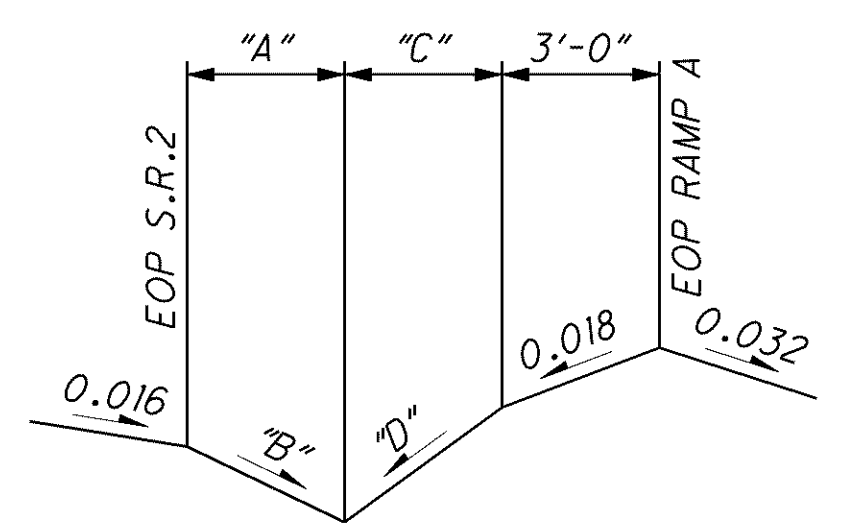
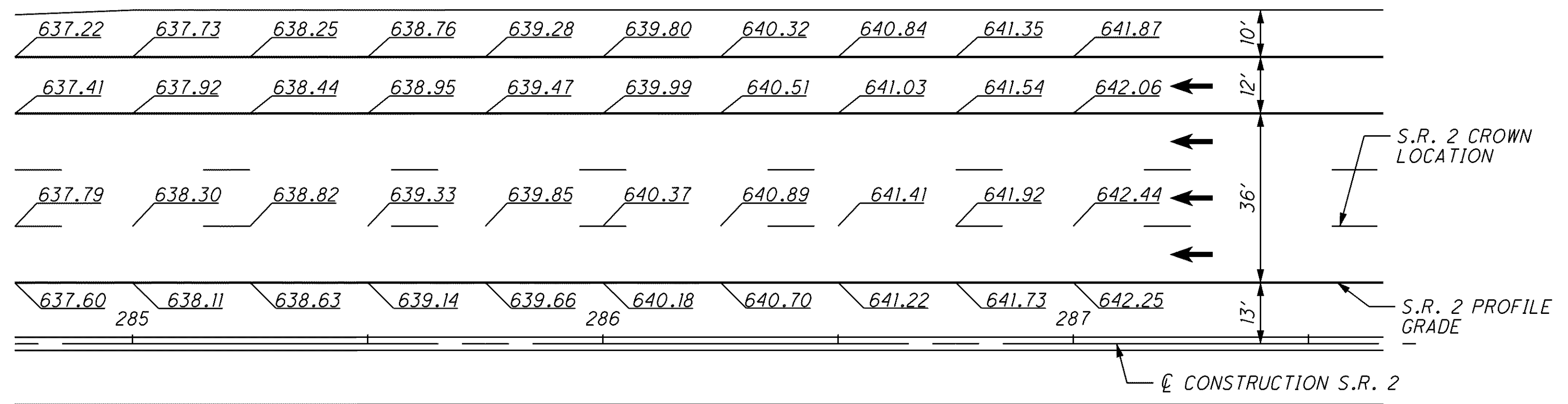
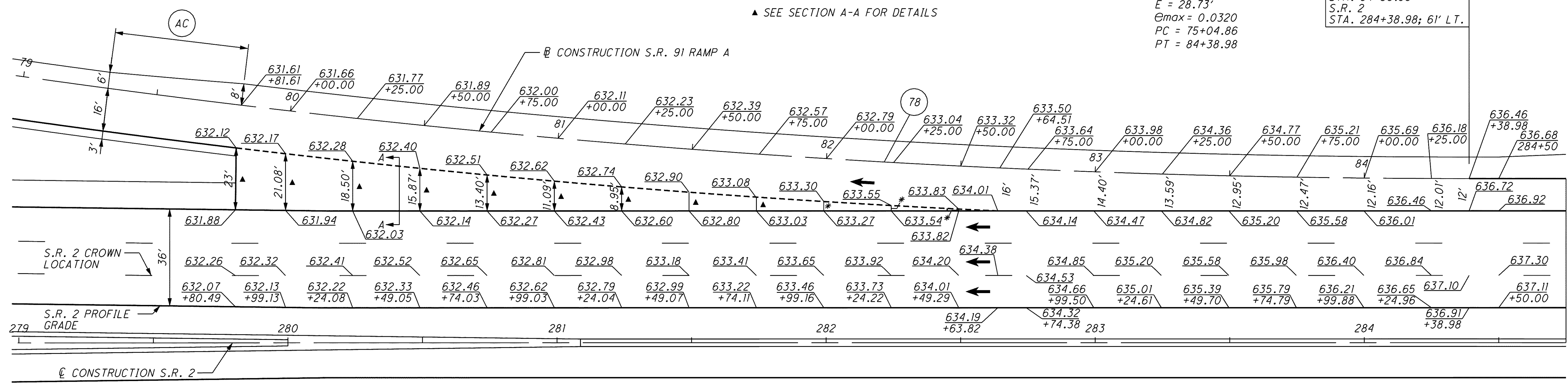
CONST. S.R. 91 RAMP A  
PROPOSED CURVE  
P.I. STA. 79+74.26  
 $\Delta = 14^\circ 00' 39''$  (LT)  
 $D_c = 1^\circ 30' 00''$   
 $R = 3820.00'$   
 $T = 469.40'$   
 $L = 934.12'$   
 $E = 28.73'$   
 $E_{max} = 0.0320$   
 $PC = 75+04.86$   
 $PT = 84+38.98$

\* GORE SLOPE INFORMATION  
READ FROM M/L EOP TO RAMP A EOP  
STA. 281+99.16 3.50' @ -0.086  
STA. 282+24.22 2.02' @ -0.005  
STA. 282+49.29 0.69' @ -0.014

▲ SEE SECTION A-A FOR DETAILS

END RAMP A  
STA. 84+38.98  
S.R. 2  
STA. 284+38.98; 61' LT.

TAPER CODE	BEGINNING STATION	ENDING STATION	SIDE	DESCRIPTION	BEGIN WIDTH	END WIDTH	TAPER RATE
AC	79+31.61	79+81.61	LT.	SHOULDER	6.00'	8.00'	25:1



SECTION A-A

GORE SLOPE INFORMATION				
STATION	"A"	"B"	"C"	"D"
279+80.49	10.00'	0.010	10.00'	0.049
279+99.13	9.04'	0.010	9.04'	0.030
280+24.08	7.75'	0.010	7.75'	0.036
280+49.05	6.44'	0.010	6.44'	0.042
280+74.03	5.20'	0.010	5.20'	0.046
280+99.03	4.05'	0.010	4.05'	0.047
281+24.04	2.98'	0.010	2.98'	0.040
281+49.07	1.99'	0.010	1.99'	0.035
281+74.11	2.16'	0.000	0.00'	0.000