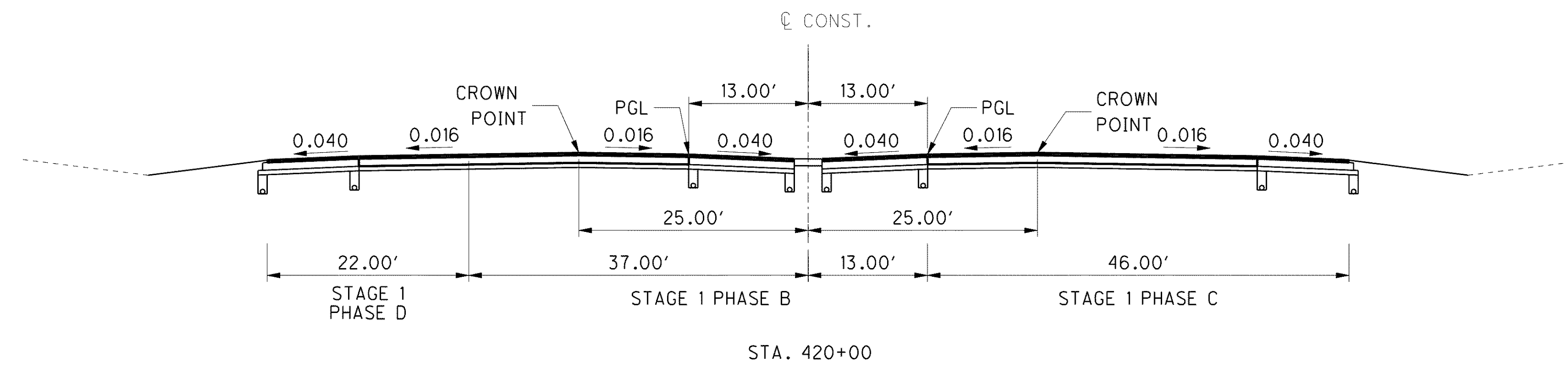
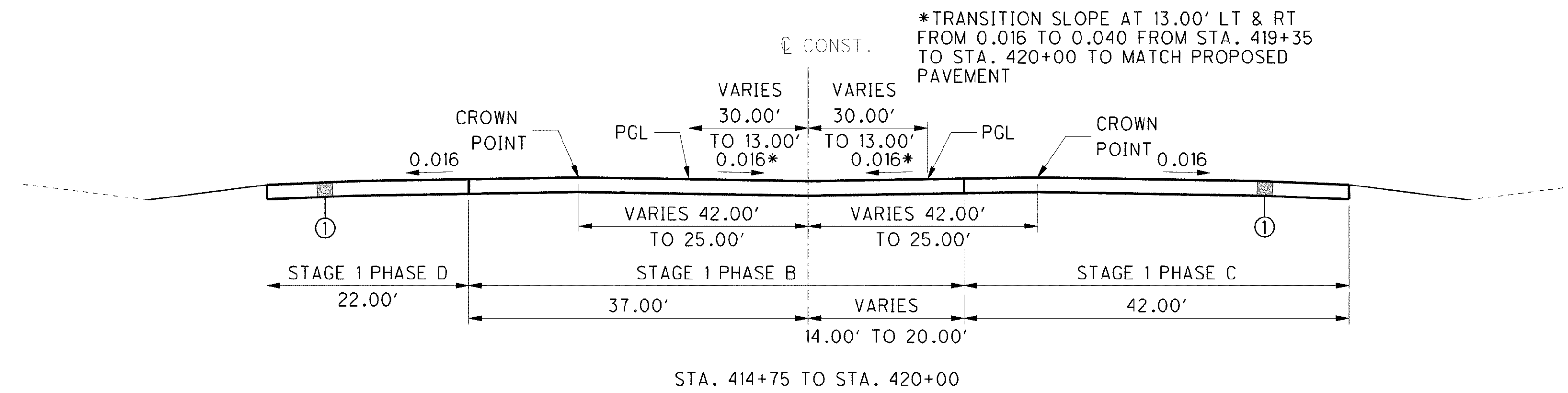
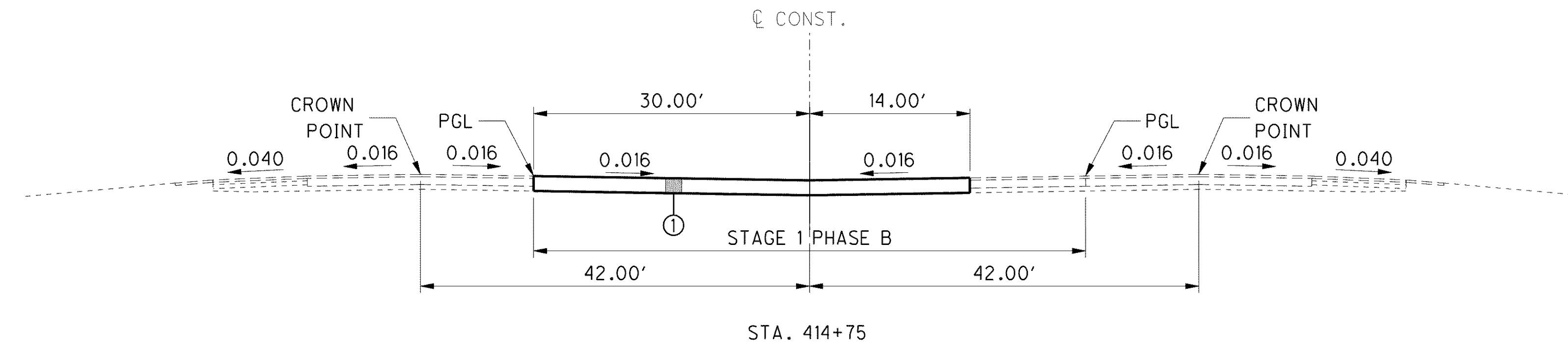


FOR SEQUENCE OF CONSTRUCTION NOTE, SEE SHEET 56

FOR TEMPORARY PAVEMENT PLAN AND PROFILE, SEE SHEET 162

LEGEND

① ITEM 615 PAVEMENT FOR MAINTAINING TRAFFIC, CLASS A



g:\project\lak\13486\mot\sheets\13486MH005.dgn 6/23/2008 11:15:56 AM jmaderia

CALCULATED
JMM
CHECKED
DRJ

M.O.T TEMPORARY PAVEMENT DETAILS - STAGE 1

LAK - 2 - 3.32

161
1679