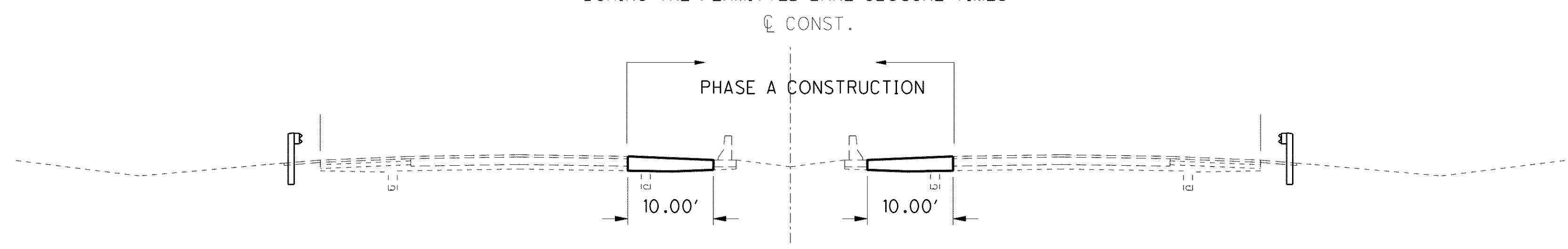


FOR SEQUENCE OF CONSTRUCTION NOTE, SEE SHEET 56

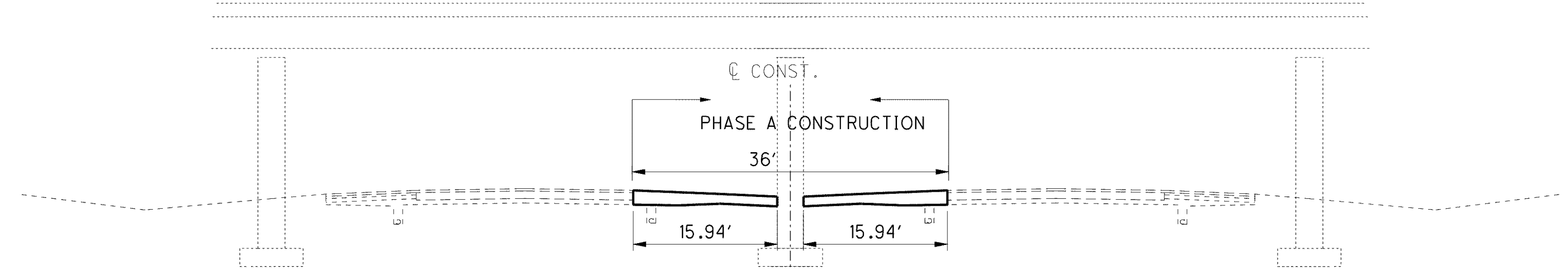
FOR BRIDGE PHASING, SEE DETAILS SHEETS 1272 TO 1616

FOR RAMP AND SIDE ROAD SEQUENCE OF CONSTRUCTION, SEE THE MAINTENANCE OF TRAFFIC NOTES SHEETS 47 TO 56

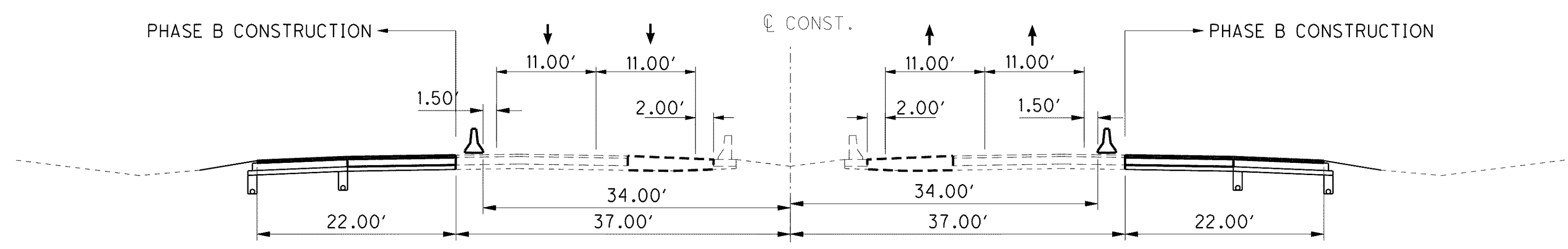
TRAFFIC SHALL BE MAINTAINED BY CLOSING ONE LANE AS PER STD. DWG. MT-95.30 DURING THE PERMITTED LANE CLOSURE TIMES



PHASE A
STA. 276+00 TO STA. 334+00
STA. 345+15 TO STA. 351+25
TRAFFIC SHALL BE MAINTAINED BY CLOSING ONE LANE AS PER STD. DWG. MT-95.30 DURING THE PERMITTED LANE CLOSURE TIMES

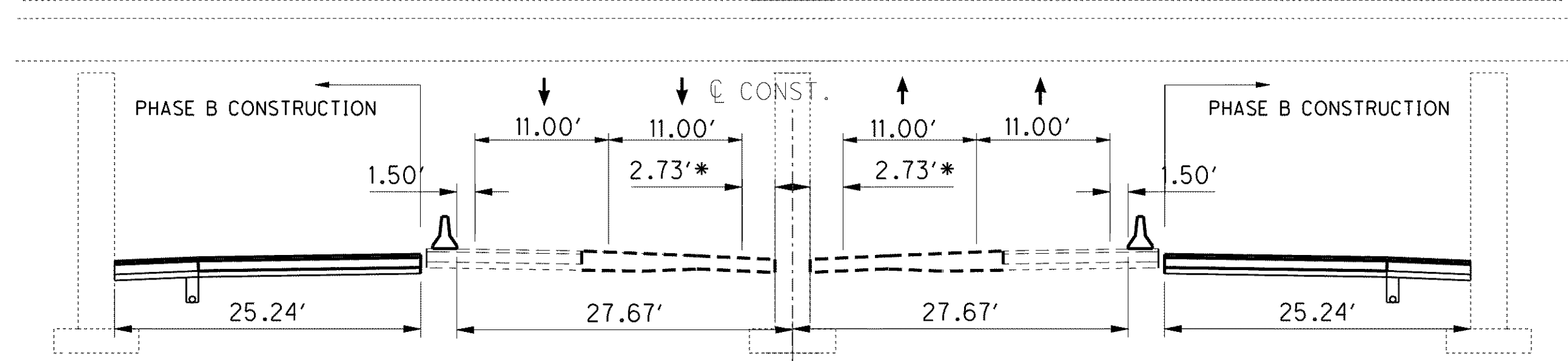


PHASE A TO REMOVE EX. BARRIER, RECONSTRUCT SHOULDER WITH ADDITIONAL WIDTH AND CONSTRUCT THE STRAIGHT FACE BARRIER AT STEVENS BLVD AND CSXT BRIDGE PIERS
PHASE A
STA. 334+00 TO STA. 345+15



PHASE B
STA. 276+00 TO STA. 334+00
STA. 345+00 TO STA. 351+25

TAPER 6.50' FROM CSX BRIDGE



TAPER 6.50' TO STEVENS BLVD. BRIDGE *1.50' AT CSX BRIDGE
PHASE B
STA. 334+00 TO STA. 345+00

g:\project\lak\13486\mot\sheet\13486MH003.dgn 6/23/2008 10:35:47 AM jmoderica