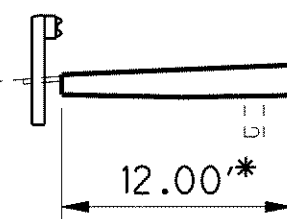


TRAFFIC SHALL BE MAINTAINED BY CLOSING ONE LANE AS PER STD. DWG. MT-95.30 DURING THE PERMITTED LANE CLOSURE TIMES

TRAFFIC SHALL BE MAINTAINED BY CLOSING ONE LANE AS PER STD. DWG. MT-95.30 DURING THE PERMITTED LANE CLOSURE TIMES

CALCULATED  
JMM  
CHECKED  
DRJ

PHASE A CONSTRUCTION



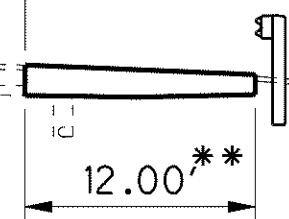
\*VARIES 12.00' TO 24.00'  
SEE PLAN SHEETS 95 TO 97

☉ CONST.

PHASE A

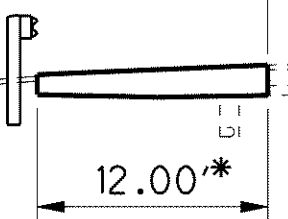
STA. 351+25 TO STA. 414+75

PHASE A CONSTRUCTION



\*\*VARIES 12.00' TO 17.00'  
FROM STA. 402+02 TO STA. 405+74  
VARIES 17.00' TO 12.00'  
FROM STA. 405+74 TO STA. 408+71

PHASE A CONSTRUCTION



☉ CONST.

PHASE A

STA. 414+75 TO STA. 420+00

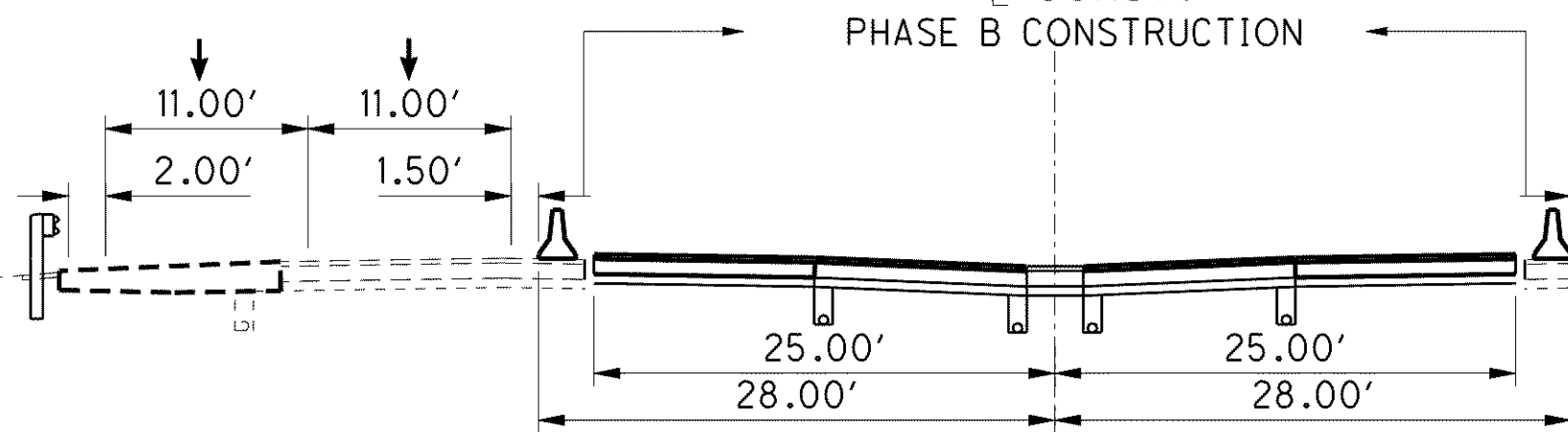
FOR SEQUENCE OF CONSTRUCTION NOTE, SEE SHEET 56

FOR BRIDGE PHASING, SEE DETAILS SHEETS 1272 TO 1616

FOR RAMP AND SIDE ROAD SEQUENCE OF CONSTRUCTION, SEE THE MAINTENANCE OF TRAFFIC NOTES SHEETS 47 TO 56

☉ CONST.

PHASE B CONSTRUCTION

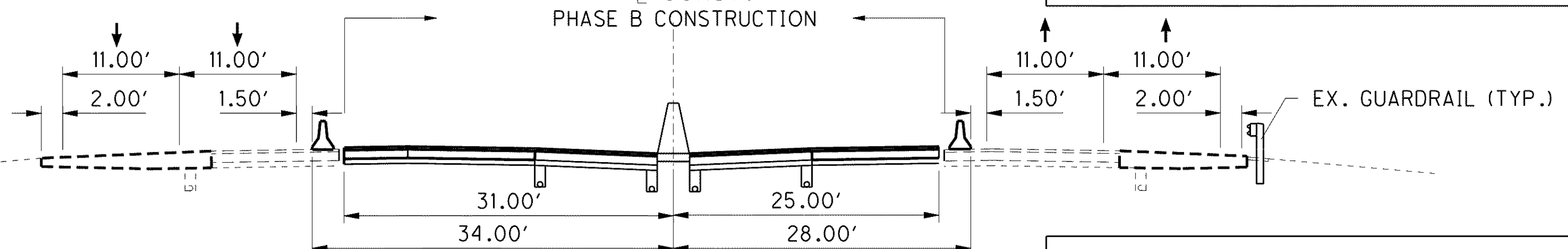


PHASE B

STA. 351+25 TO STA. 361+00

☉ CONST.

PHASE B CONSTRUCTION

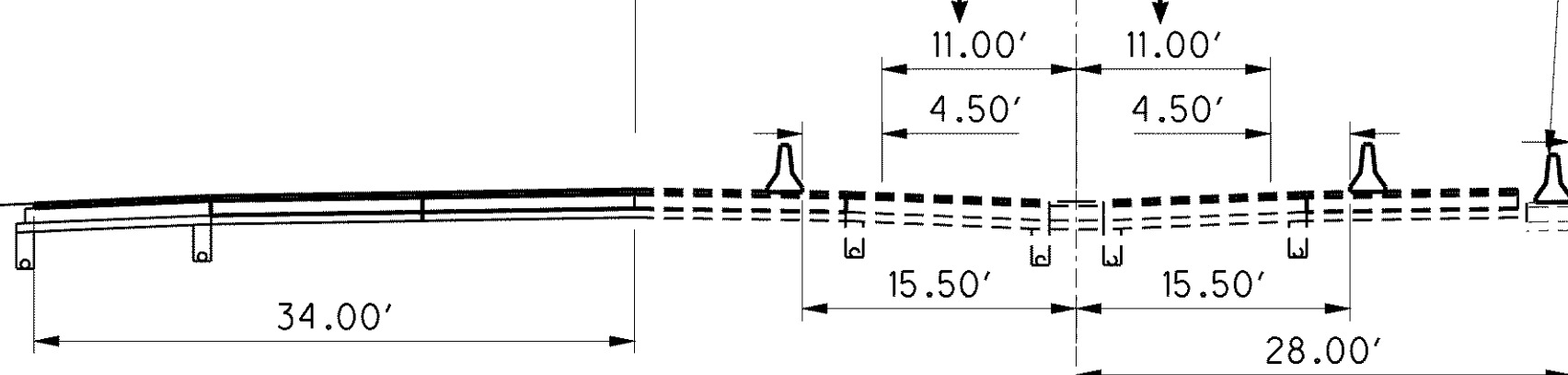


PHASE B

STA. 361+00 TO STA. 420+00

FOR PAVEMENT UNDER PROPOSED CONCRETE MEDIAN BARRIER SEE DETAIL C SHEET 14

PHASE C CONSTRUCTION

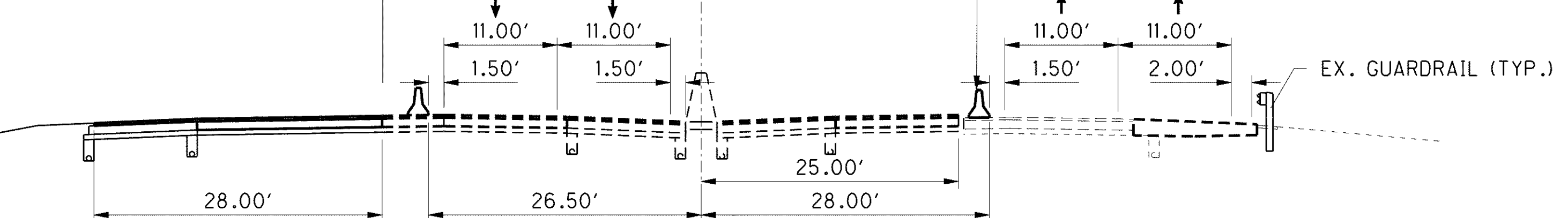


PHASE C

STA. 351+25 TO STA. 361+00

PCB FROM PHASE B (SAME LOCATION)

PHASE C CONSTRUCTION



PHASE C

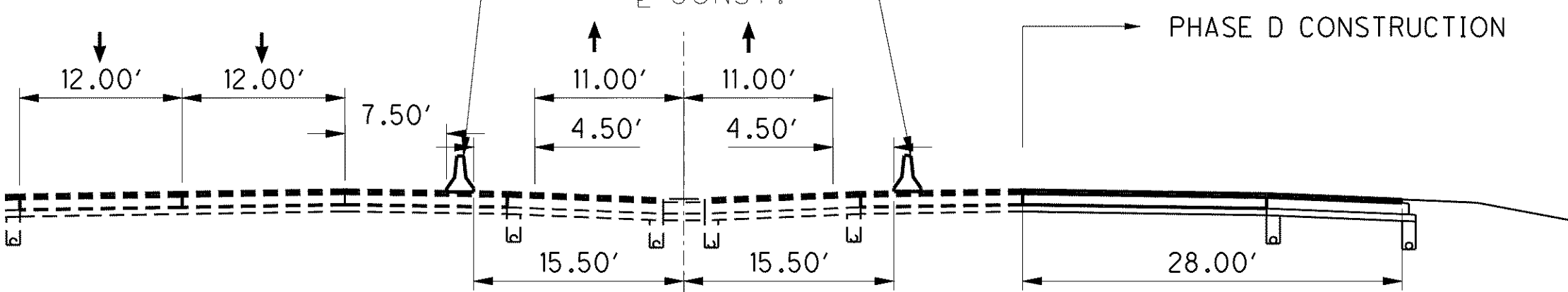
STA. 361+00 TO STA. 420+00

PCB FROM PHASE B (SAME LOCATION)

PCB FROM PHASE C (SAME LOCATION)

☉ CONST.

PHASE D CONSTRUCTION



PHASE D

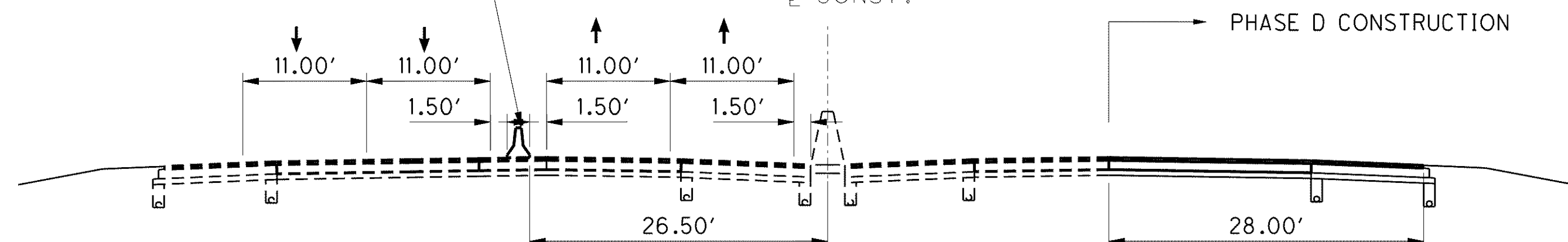
STA. 351+25 TO STA. 361+00

PHASE E  
BARRIER CONSTRUCTION  
NOT SHOWN

PCB FROM PHASE C (SAME LOCATION)

☉ CONST.

PHASE D CONSTRUCTION



PHASE D

STA. 361+00 TO STA. 420+00

PHASE E  
NOT SHOWN

NOTE:  
FROM STA. 361+00 TO 370+00 THE WESTBOUND AND EASTBOUND LANES SHIFT BETWEEN THE TYPICAL SECTIONS

M.O.T PHASE CONSTRUCTION DETAILS - STAGE 2

LAK-2-3.32

86  
1679

g:\project\lak\13486\mot\sheet\13486MH002.dgn 6/23/2008 10:35:36 AM imoderia