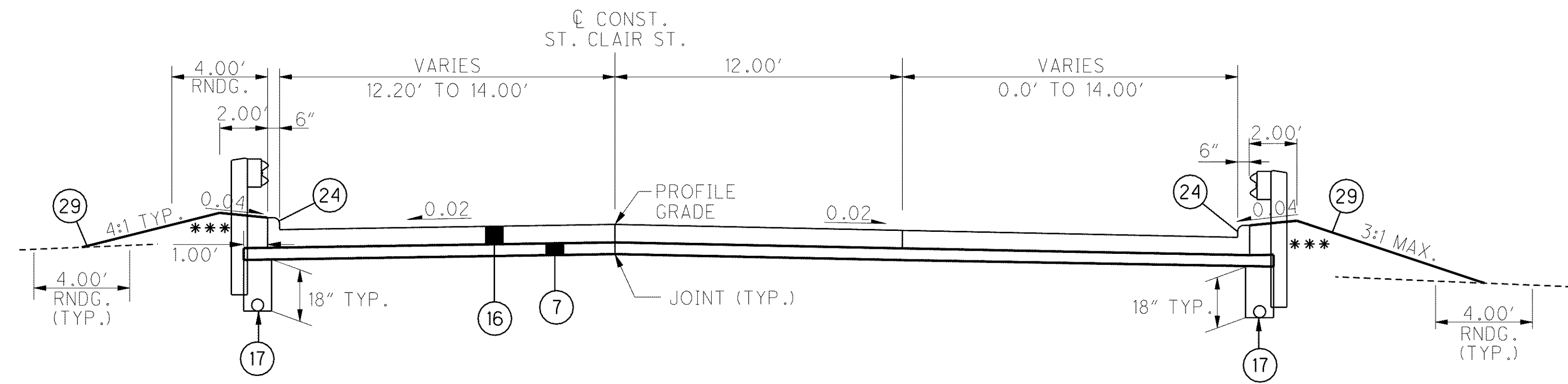
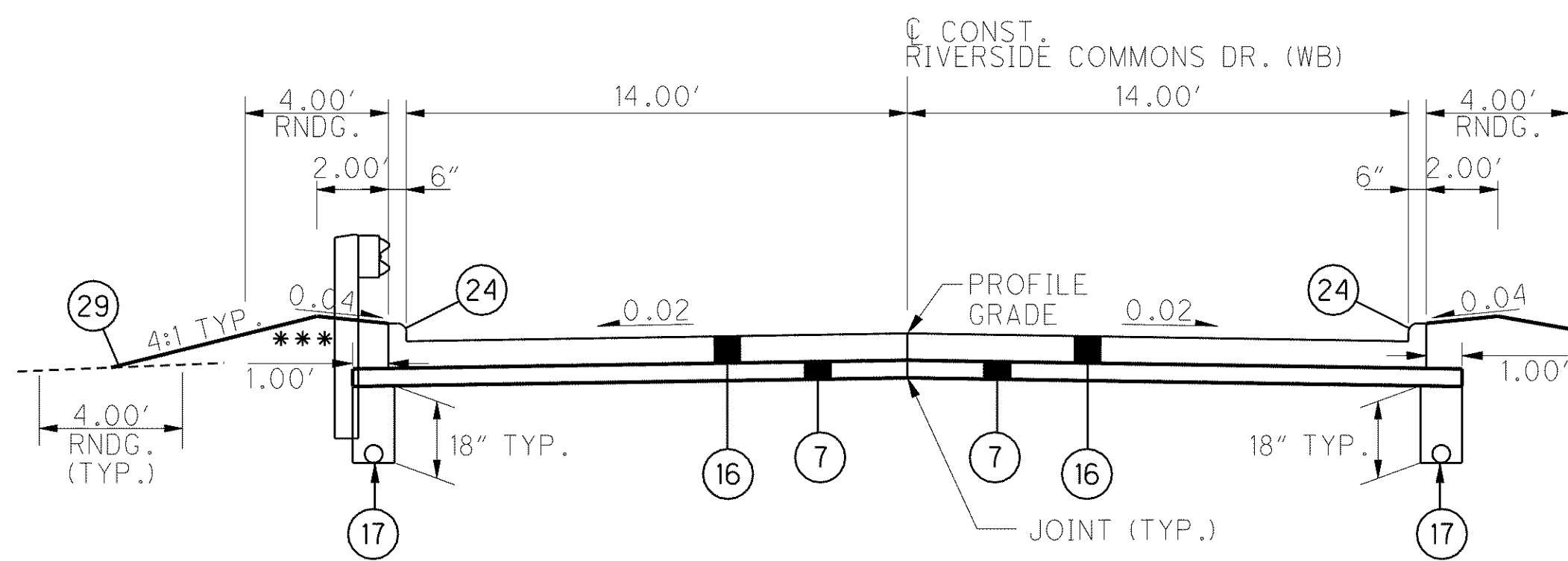


o:\project\lak\13486\roadway\sheets\13486GYP312.dgn 6/24/2008 9:39:04 AM jmadaria



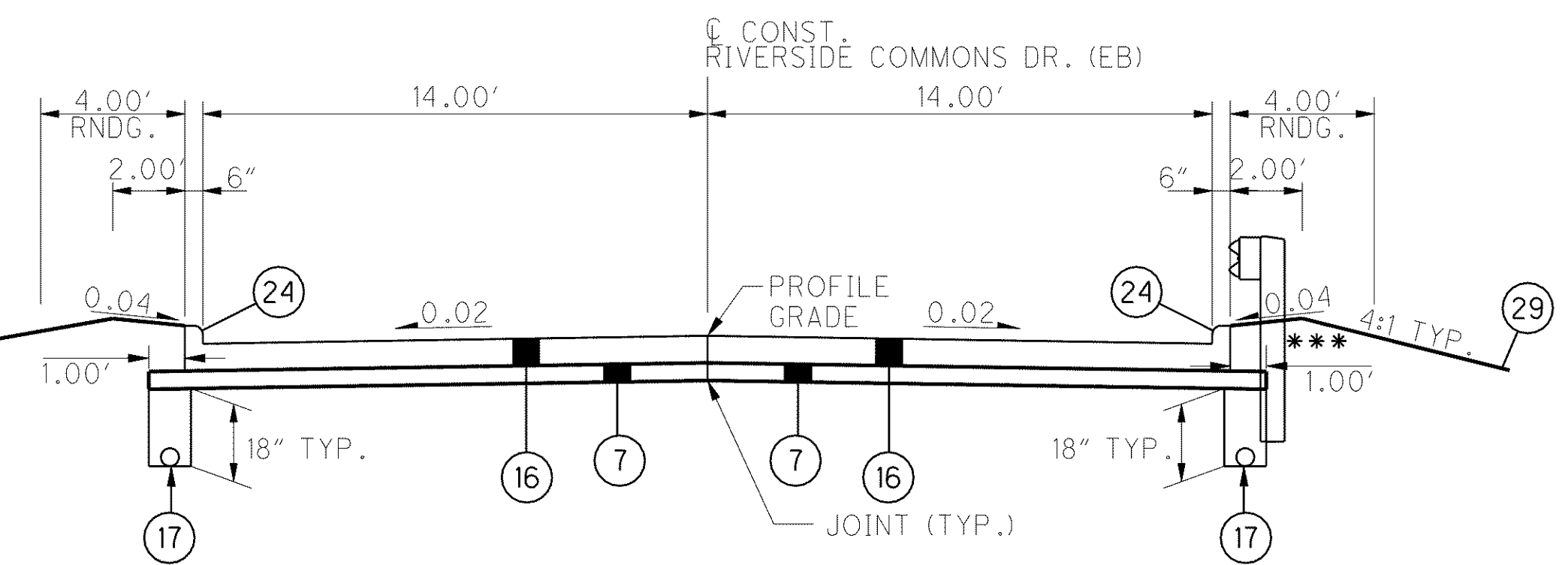
ST. CLAIR ST.

LIMITING STATIONS
STA. 112+60.00 TO STA. 116+06.98 = 346.98 FT



RIVERSIDE COMMONS DR. (WB)

LIMITING STATIONS
STA. 0+50.06 TO STA. 2+00.00 = 149.94 FT



RIVERSIDE COMMONS DR. (EB)

LIMITING STATIONS
STA. 0+32.65 TO STA. 1+90.00 = 157.35 FT

*** 4' ROUNDING TYP. UNLESS OTHERWISE NOTED
NOTE: FOR EXISTING LEGEND, SEE SHEET NO. 11
FOR PROPOSED LEGEND, SEE SHEET NO. 14