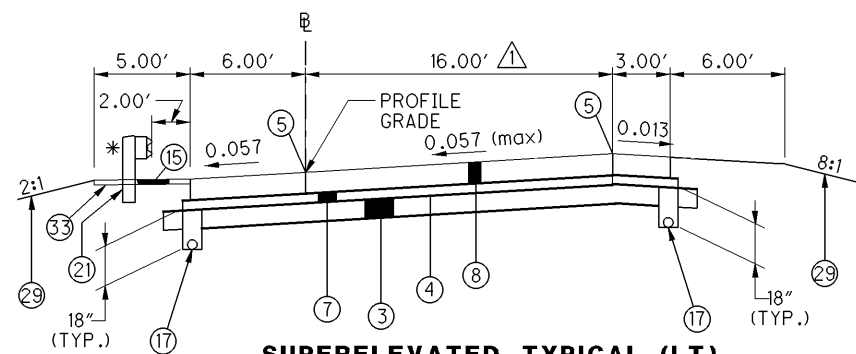


I:\PROJECTS\Pid13486\Addendum\Alternate bid\13486GY200_VINE3.dgn 18-NOV-2008 2:10PM jgrmouse



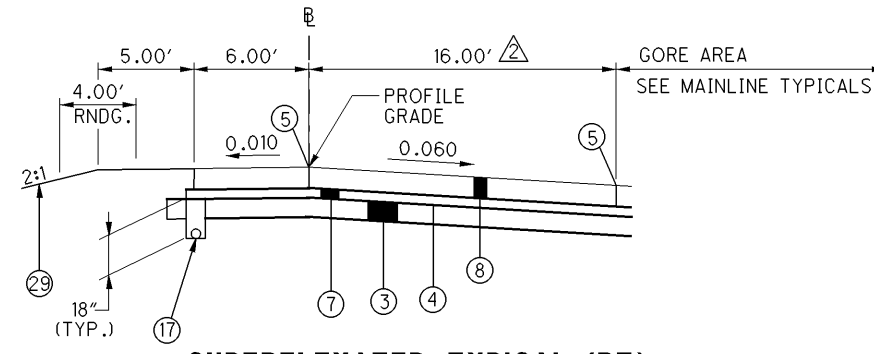
SUPERELEVATED TYPICAL (LT)

VINE RAMP D

STA. 316+55.40 TO STA. 320+86.93 = 431.53 FT.

△ VARIES 18.00' TO 16.00' FROM
STA. 316+91.70 TO STA. 317+91.70

* GUARDRAIL LIMITS:
STA. 313+84.00 TO STA. 319+05.85
STA. 319+84.25 TO STA. 320+55.00

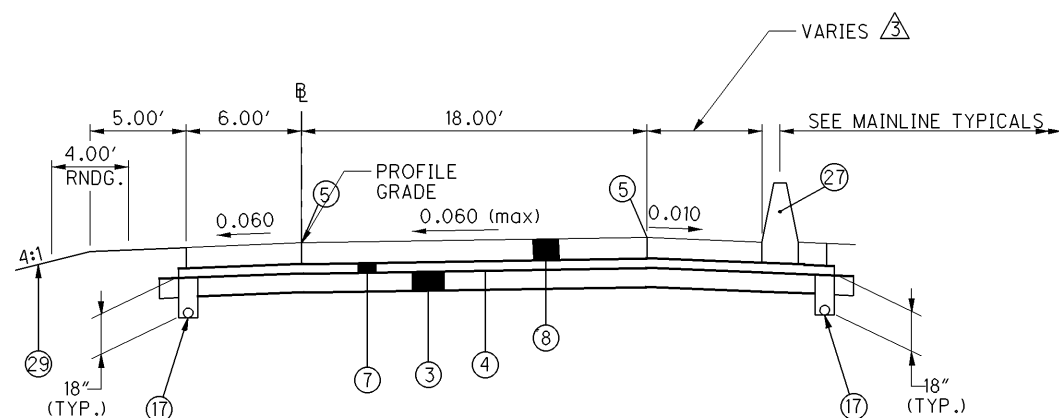


SUPERELEVATED TYPICAL (RT)

VINE RAMP D

STA. 320+86.93 TO STA. 323+64.10 = 277.17 FT.

△ VARIES 16.00' TO 12.00' FROM
STA. 322+57.31 TO STA. 323+64.10

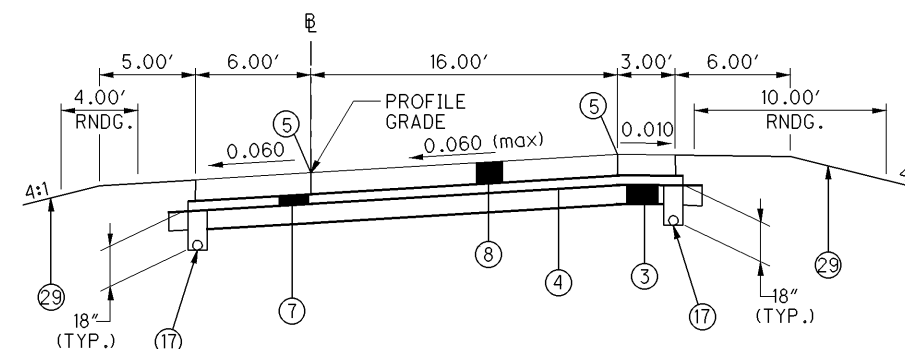


NORMAL TYPICAL

VINE RAMP H

STA. 314+38.56 TO STA. 315+36.14 = 97.58 FT.

△ VARIES 6.00' TO 9.00'



SUPERELEVATED TYPICAL

VINE RAMP H

STA. 315+36.14 TO STA. 318+41.30 = 305.16 FT.

PROPOSED ITEM LEGEND: SEE SHEET 29A

TYPICAL SECTIONS
VINE ST. RAMPS
(CONCRETE ALTERNATIVE)

LAK-2-3.32

29G
1679