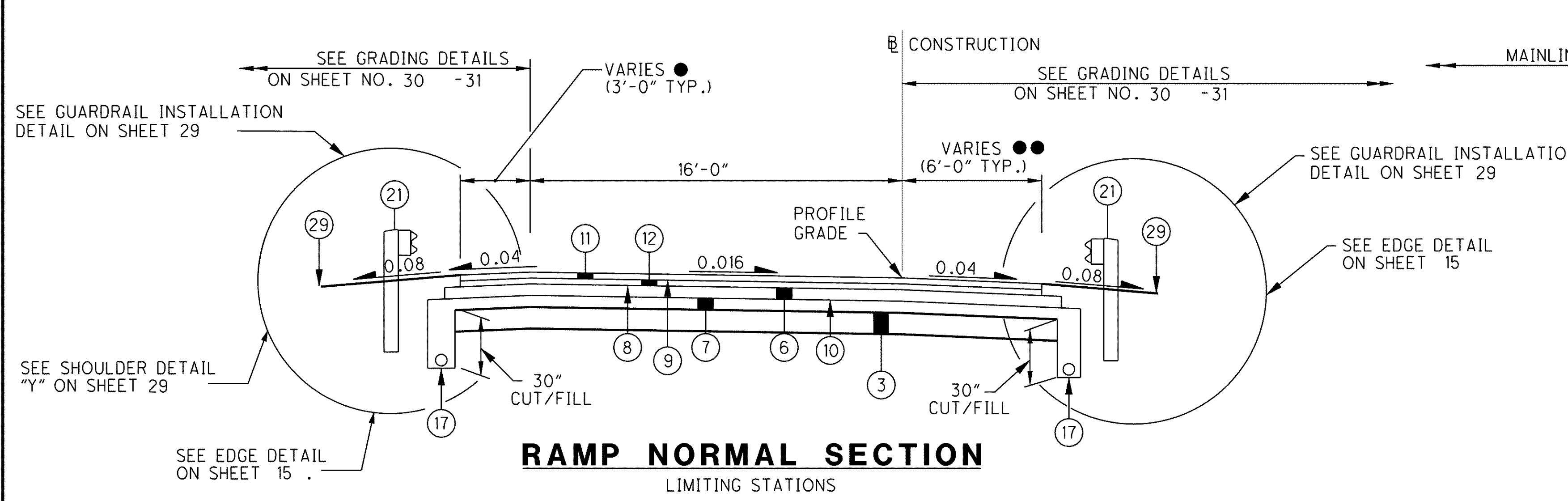


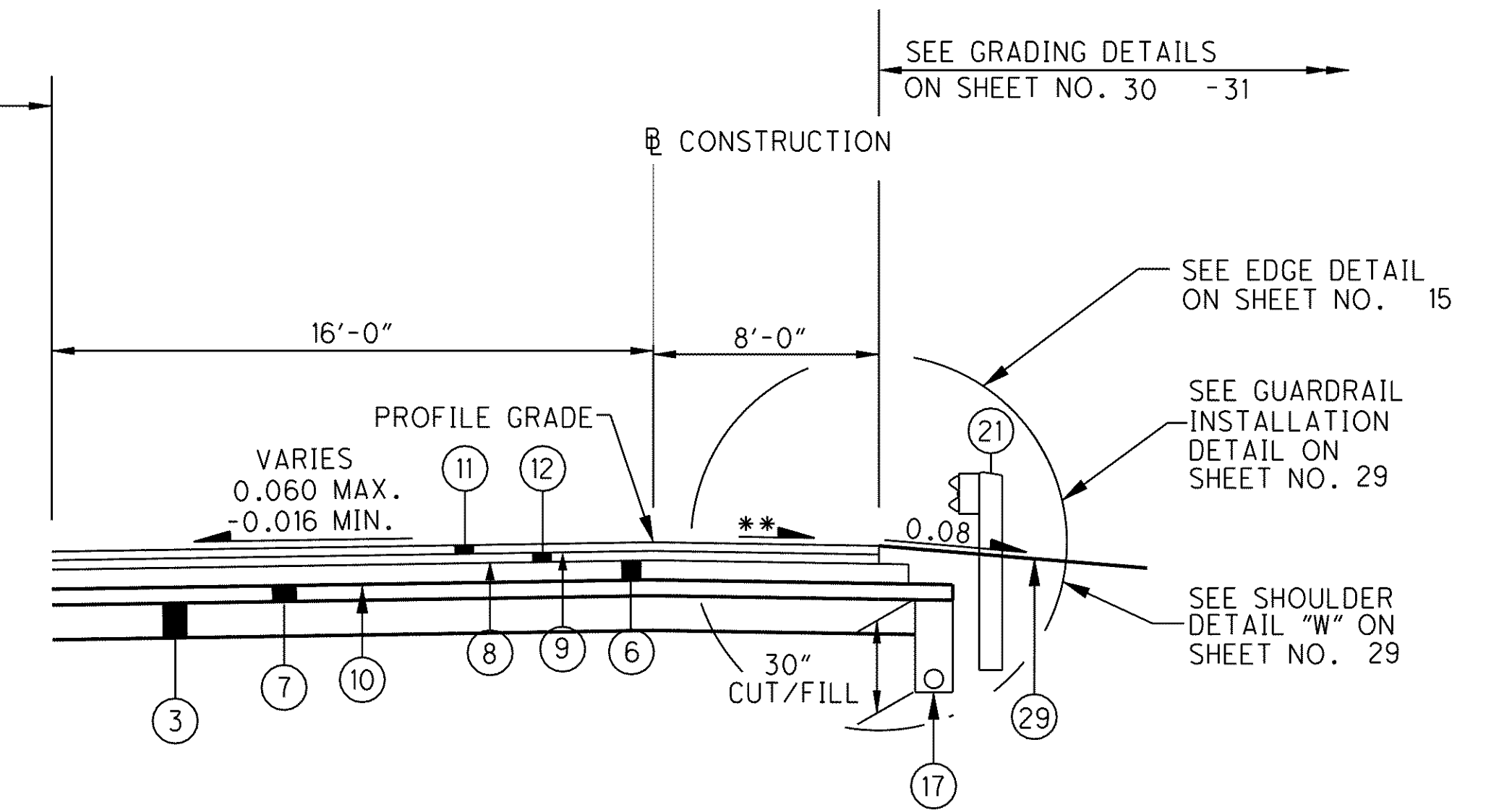
\\Akrn01\Data\Civil\2004108\00\13486\roadway\sheets\13486GY450.dgn 6/17/2008 8:52:13 AM mmoellendick



RAMP NORMAL SECTION
LIMITING STATIONS

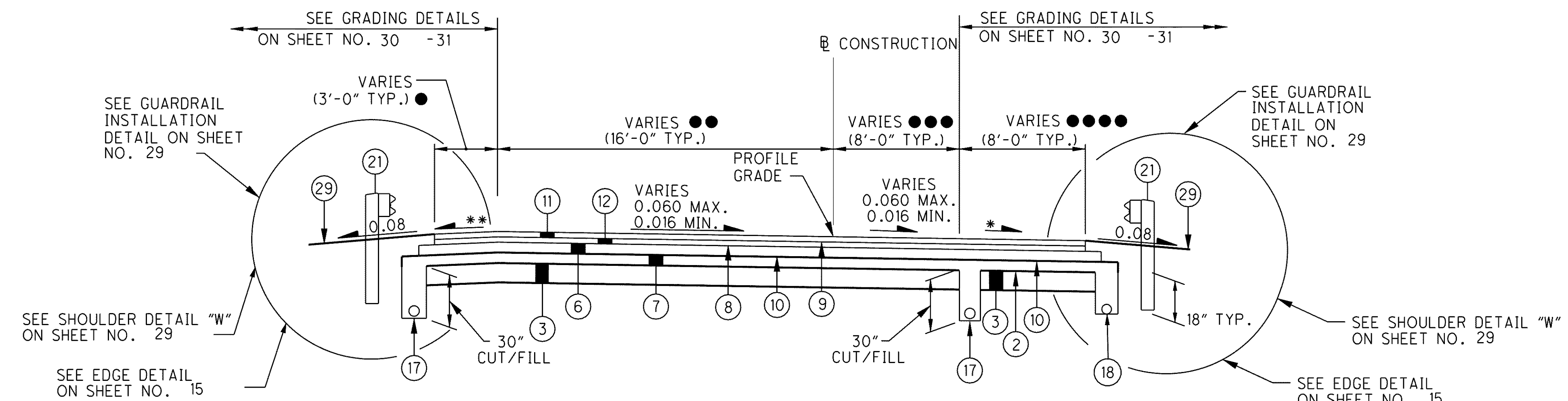
S.R. 306 RAMP K
STA. 248+73.25 TO STA. 254+67.16 = 593.91 LIN. FT.

- S.R. 306 RAMP K
0.00' WIDTH STA. 248+73.25 TO STA. 252+69.47
6.00' WIDTH STA. 252+69.47 TO STA. 254+67.16
- S.R. 306 RAMP K
8.00' WIDTH STA. 248+73.25 TO STA. 254+22.22
WIDTH VARIES 8.00' TO 7.10' STA. 254+22.22 TO STA. 254+67.16



RAMP SUPERELEVATED LEFT SECTION
LIMITING STATIONS

S.R. 306 RAMP K
STA. 244+62.38 TO STA. 248+73.25 = 410.87 LIN. FT.



RAMP SUPERELEVATED RIGHT SECTION
LIMITING STATIONS

S.R. 306 RAMP K
STA. 254+67.16 TO STA. 263+34.22 = 867.06 LIN. FT.
STA. 263+34.22 TO STA. 263+61.59 = INTERSECTION AREA, SEE DETAIL ON SHEET NO. 830.

- S.R. 306 RAMP K
6.00' WIDTH STA. 254+67.16 TO STA. 258+00.00
WIDTH VARIES 6.00' TO 4.00' STA. 258+00 TO STA. 258+50.00
4.00' WIDTH STA. 258+50.00 TO STA. 262+93.46
WIDTH VARIES 4.00' TO 6.00' STA. 262+93.46 TO STA. 263+03.41
6.00' WIDTH STA. 263+03.41 TO STA. 263+34.22
- S.R. RAMP K
16.00' WIDTH STA. 254+67.16 TO STA. 258+00.00
WIDTH VARIES 16.00' TO 24.00' STA. 258+00.00 TO STA. 258+50.00
24.00' WIDTH STA. 258+50.00 TO STA. 263+34.22
- S.R. 306 RAMP K
0.00' WIDTH STA. 254+67.16 TO STA. 258+75.00
WIDTH VARIES 0.00' TO 12.00' STA. 258+75.00 TO STA. 259+25.00
12.00' WIDTH STA. 259+25.00 TO STA. 259+75.00
WIDTH VARIES 12.00' TO 24.00' STA. 259+75.00 TO STA. 260+25.00
24.00' WIDTH STA. 260+25.00 TO STA. 263+34.22
- S.R. 306 RAMP K
WIDTH VARIES 7.10' TO 6.00' STA. 254+67.16 TO STA. 255+22.22
6.00' WIDTH STA. 255+22.22 TO STA. 262+06.19
WIDTH VARIES 6.00' TO 12.00' STA. 262+06.19 TO STA. 262+36.19
12.00' WIDTH STA. 262+36.19 TO STA. 263+34.22

* 0.04 OR RATE OF PAVEMENT SLOPE IF GREATER.
** FOR HIGH SIDE SHOULDER SLOPES, SEE SHOULDER DETAIL "Z" ON SHEET 29
FOR EXISTING LEGEND, SEE SHEET 11
FOR PROPOSED LEGEND, SEE SHEET 14

PROPOSED TYPICAL SECTIONS - S.R. 306 RAMP K

LAK - 2 - 3.32