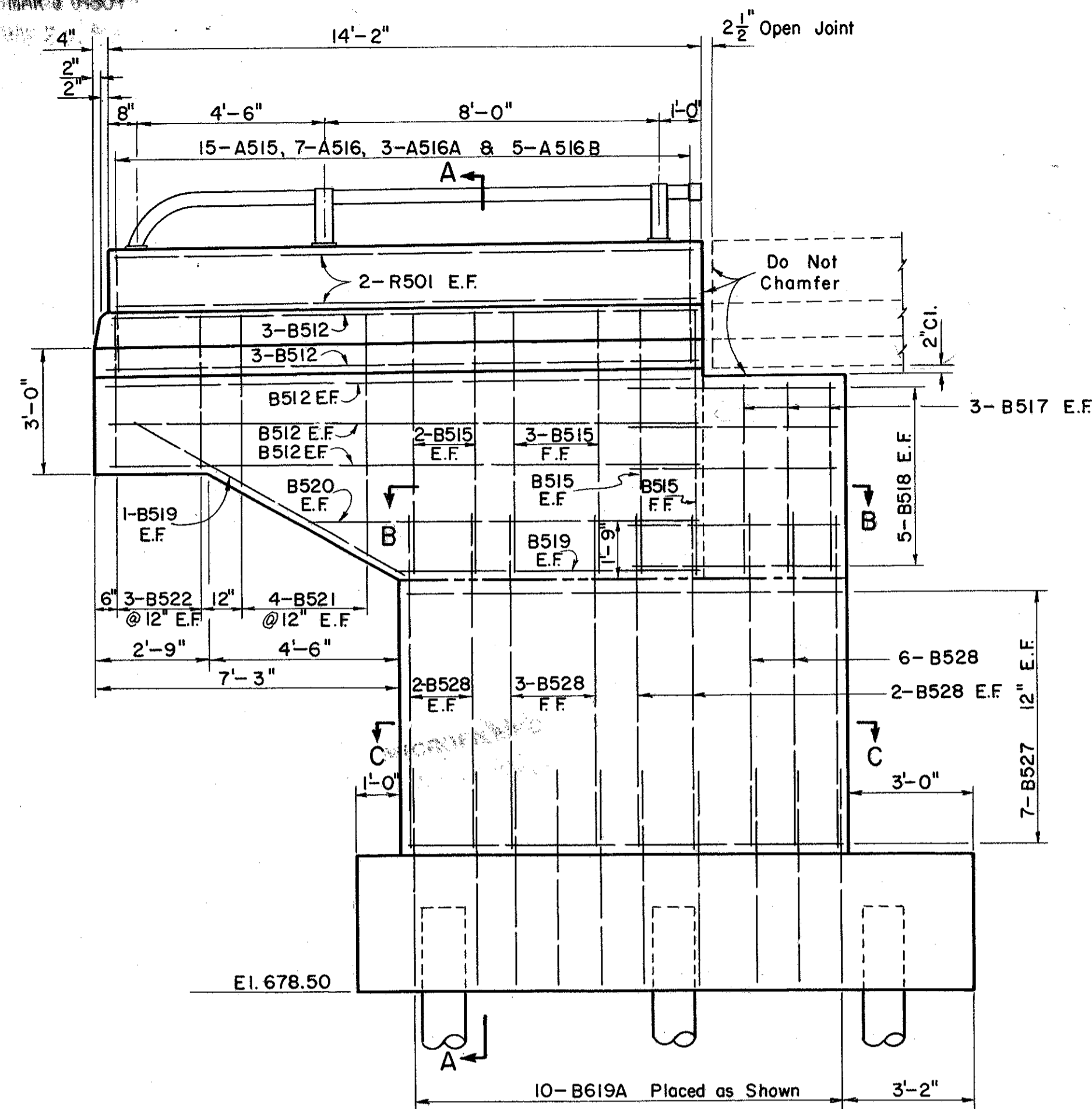


MICROFILMED
MAR 3 1957

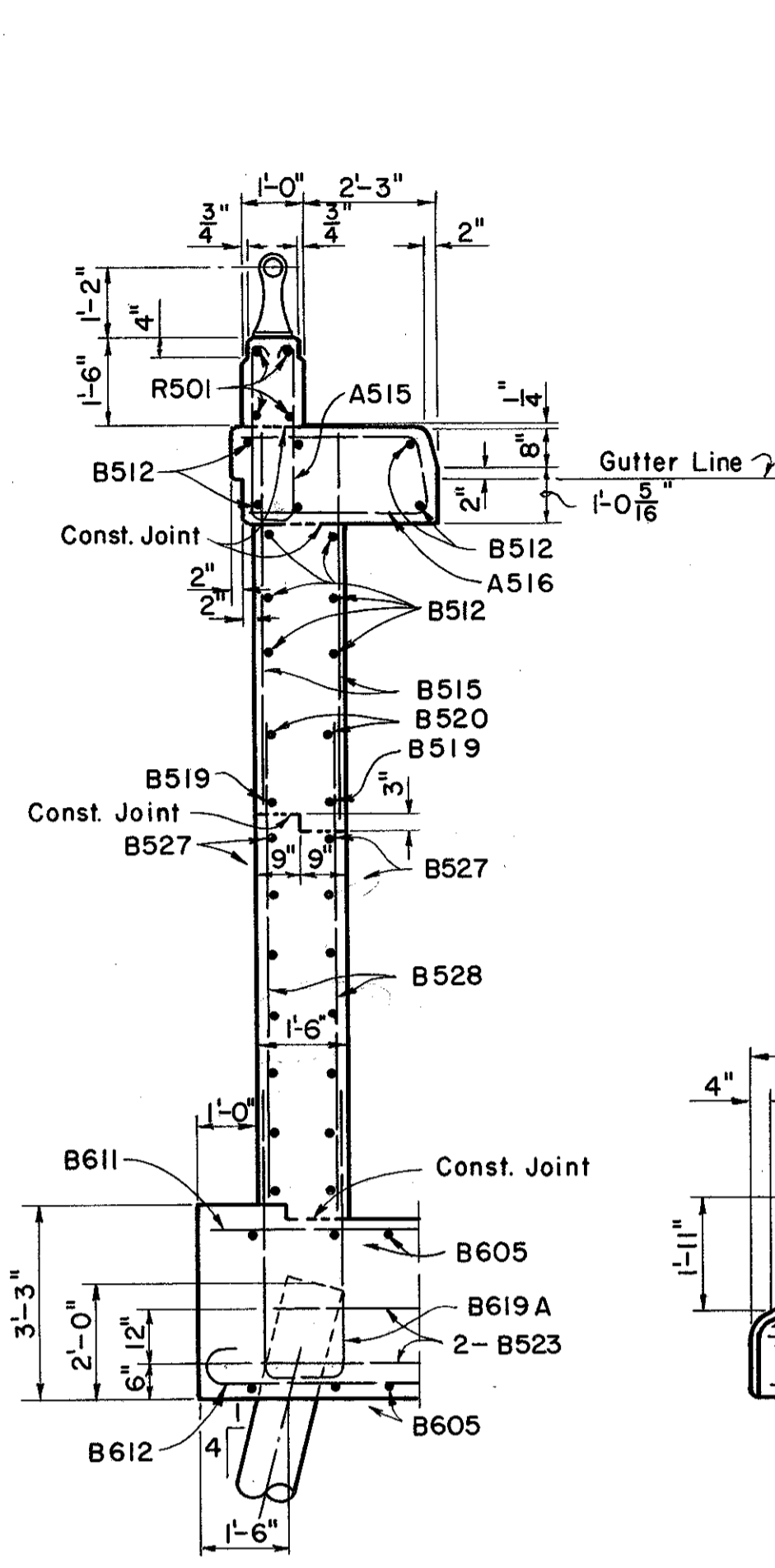
FED. RD. DIVISION	STATE	PROJECT
2	OHIO	

284
313

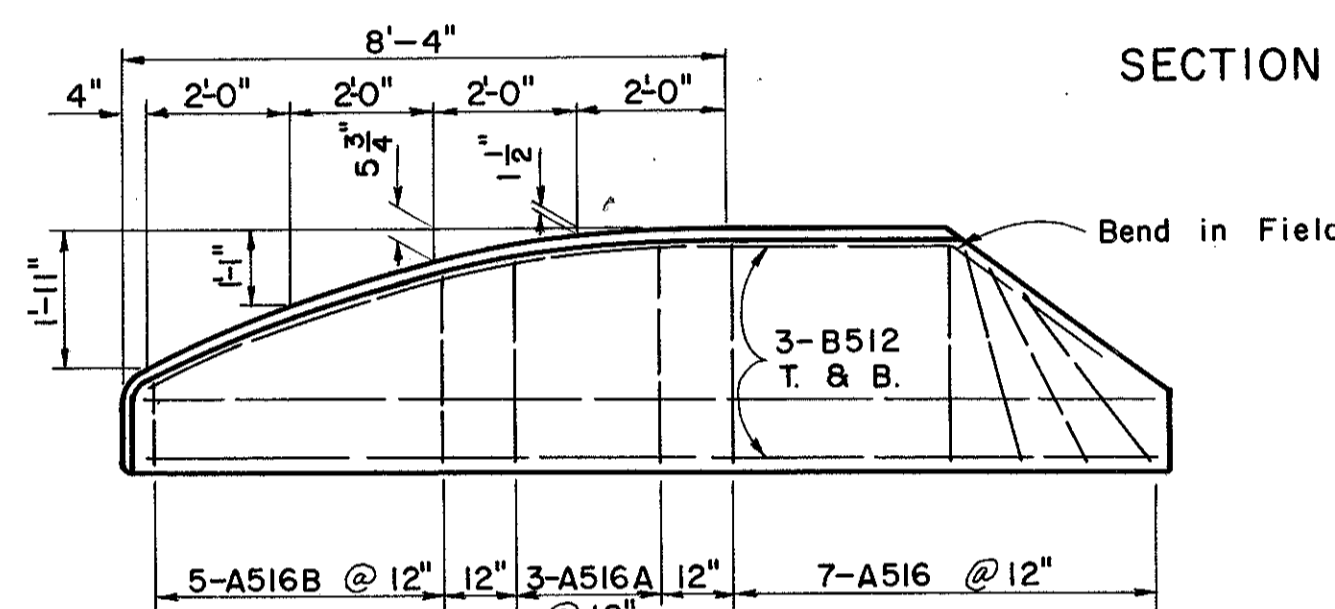
LAKE COUNTY
LAK-2-16.49



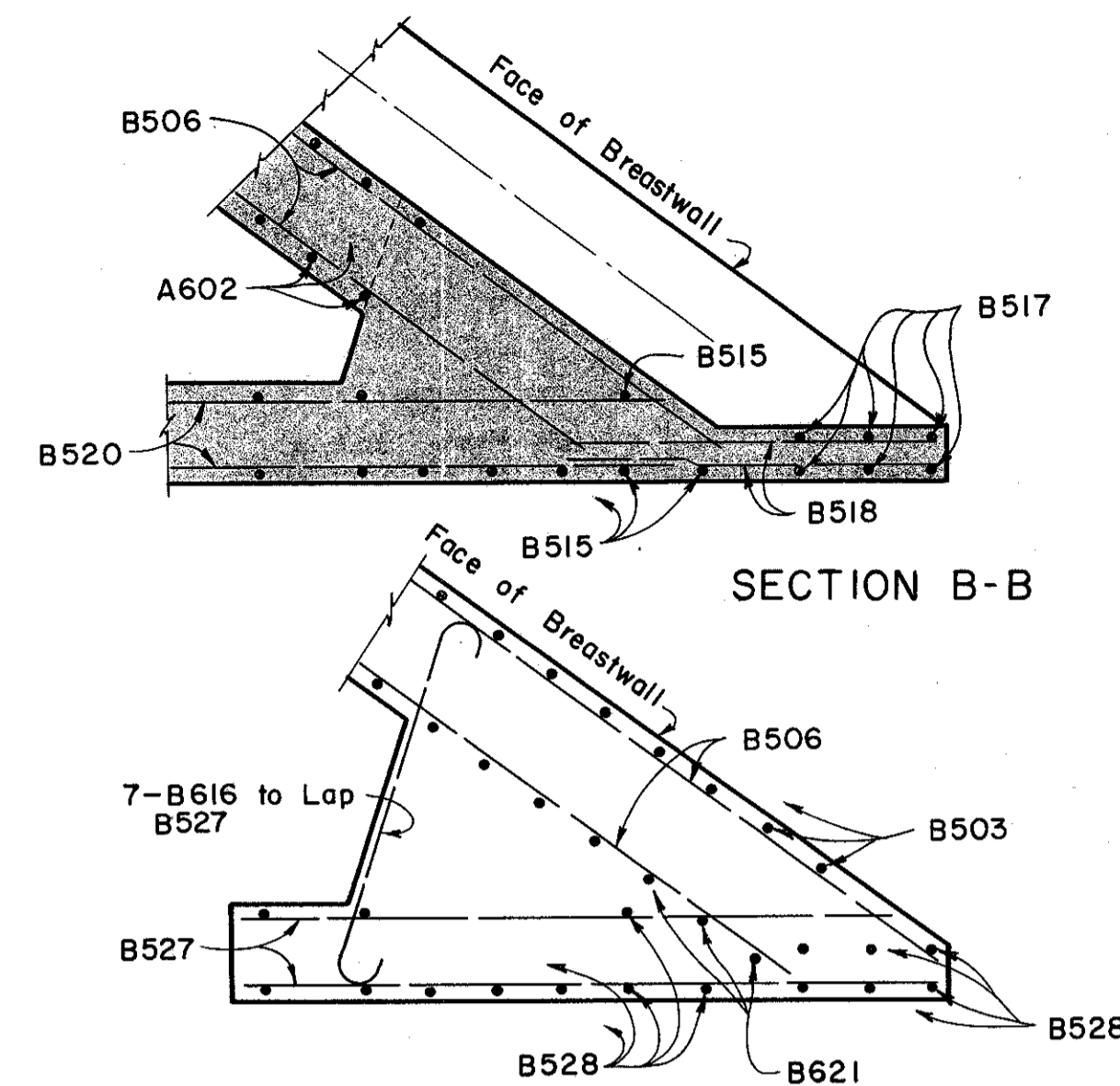
ELEVATION LEFT WING



SECTION C-C

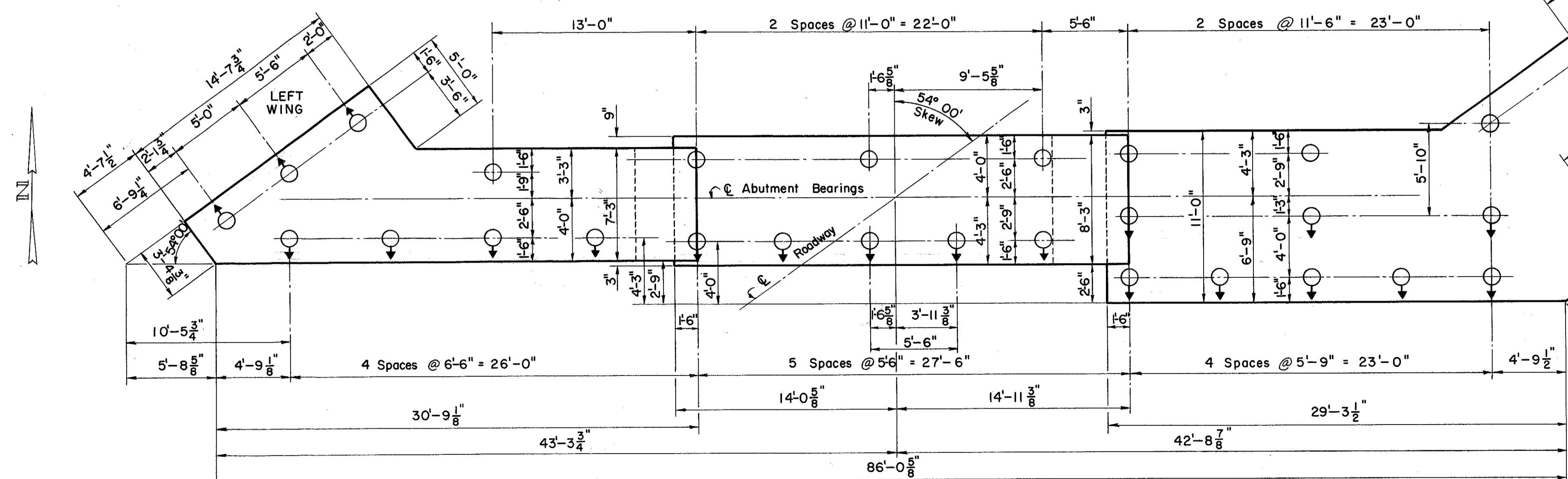


CURB PLAN

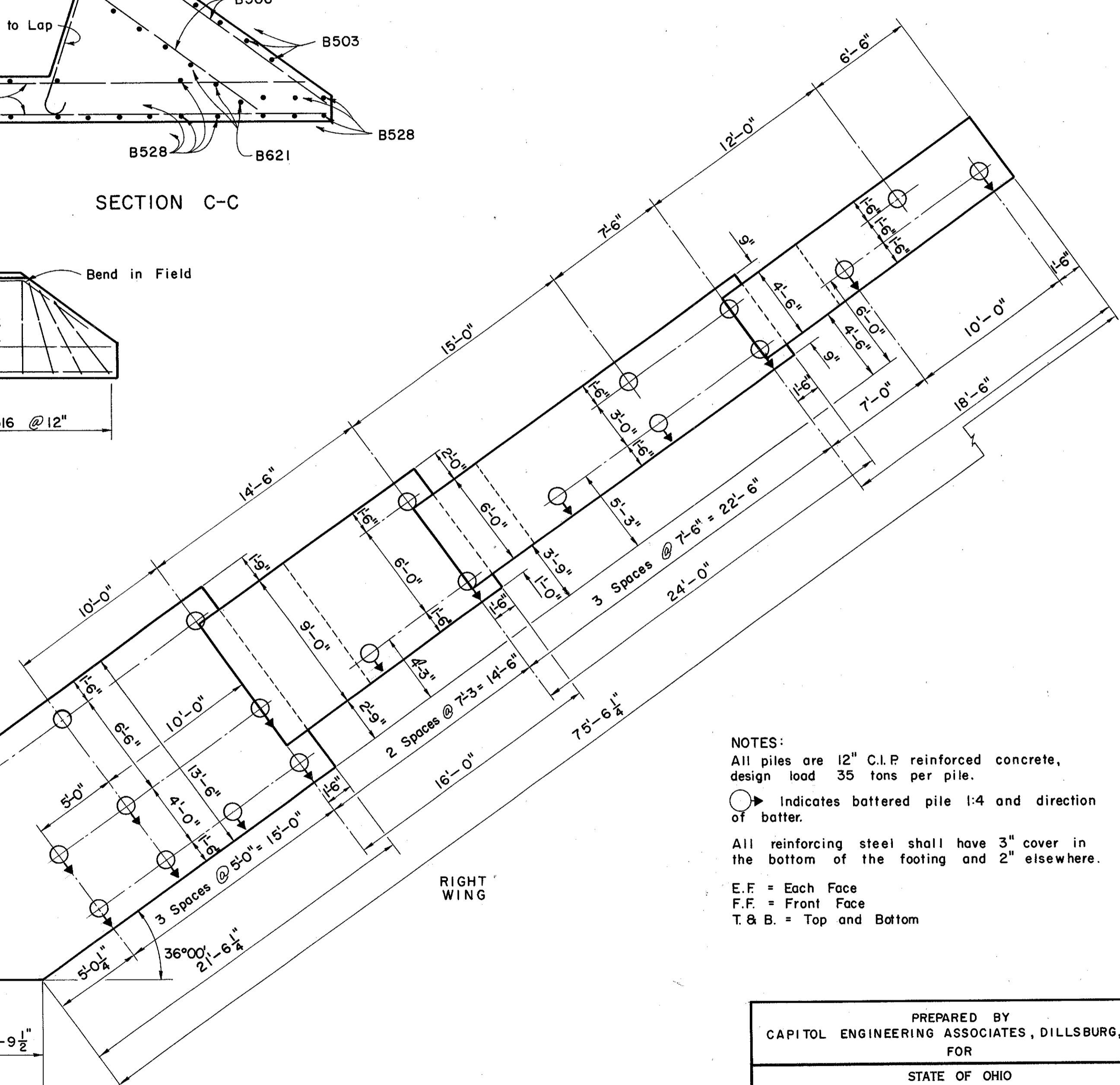


SECTION B-B

SECTION C-C



FOOTING PLAN AND PILE LAYOUT



RIGHT WING

NOTES:
All piles are 12" C.I.P reinforced concrete, design load 35 tons per pile.
⊙ indicates battered pile 1:4 and direction of batter.
All reinforcing steel shall have 3" cover in the bottom of the footing and 2" elsewhere.
E.F. = Each Face
F.F. = Front Face
T. & B. = Top and Bottom

PREPARED BY CAPITOL ENGINEERING ASSOCIATES, DILLSBURG, PA. FOR					
STATE OF OHIO DEPARTMENT OF HIGHWAYS DIVISION OF DESIGN AND CONSTRUCTION BUREAU OF BRIDGES					
FORWARD ABUTMENT DETAILS BRIDGE NO. LAK-2-1862 RELOC. S.R. 2 UNDER RECONSTR. U.S. 20 LAKE COUNTY STA. 99 + 73.07					
DESIGNED M.C.P. R.J.A.	DRAWN M.J.F.	TRACED F.W.B.	CHECKED L.L.D. M.J.F.	REVIEWED DATE G.S.W. M.C.P.	REVISED