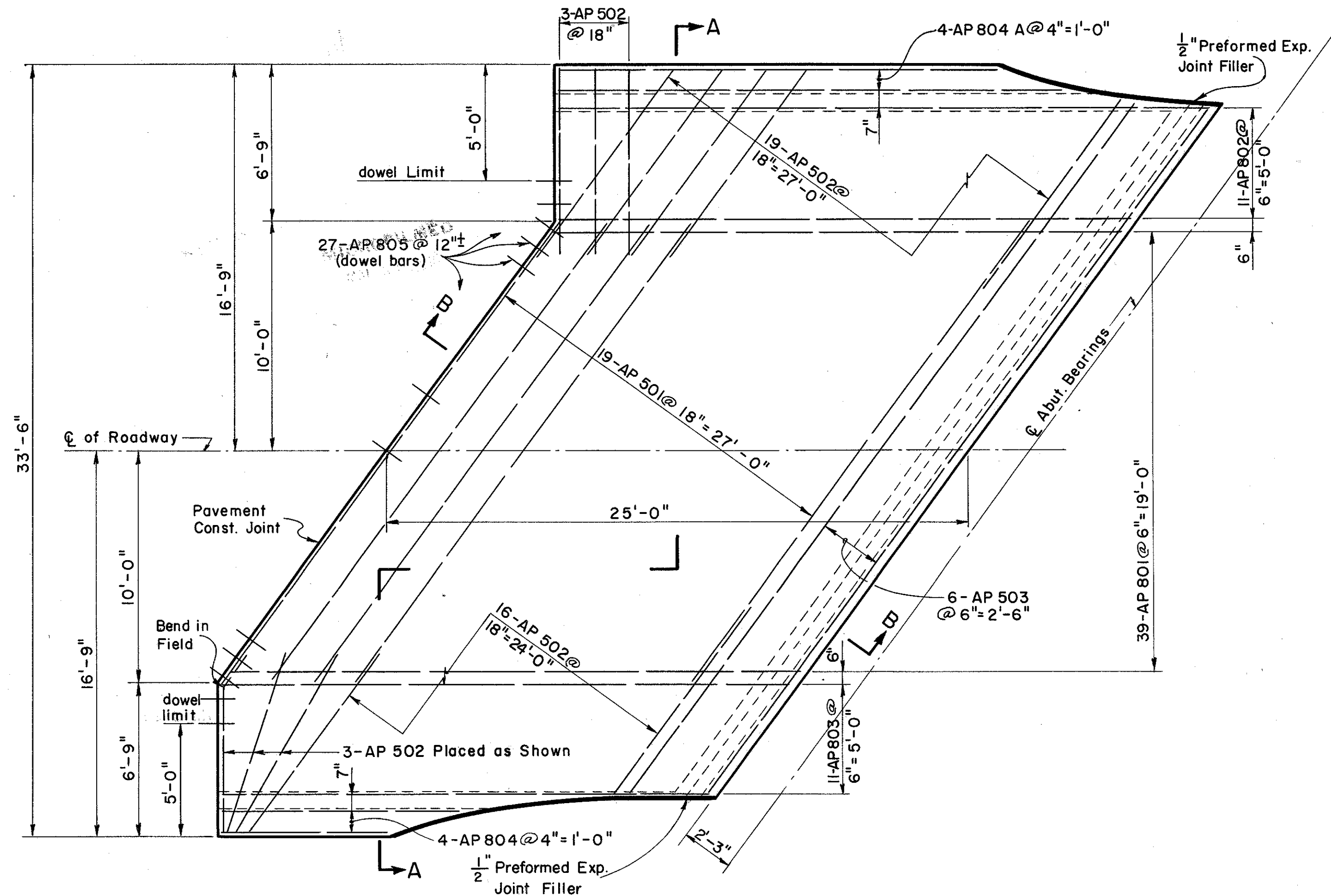
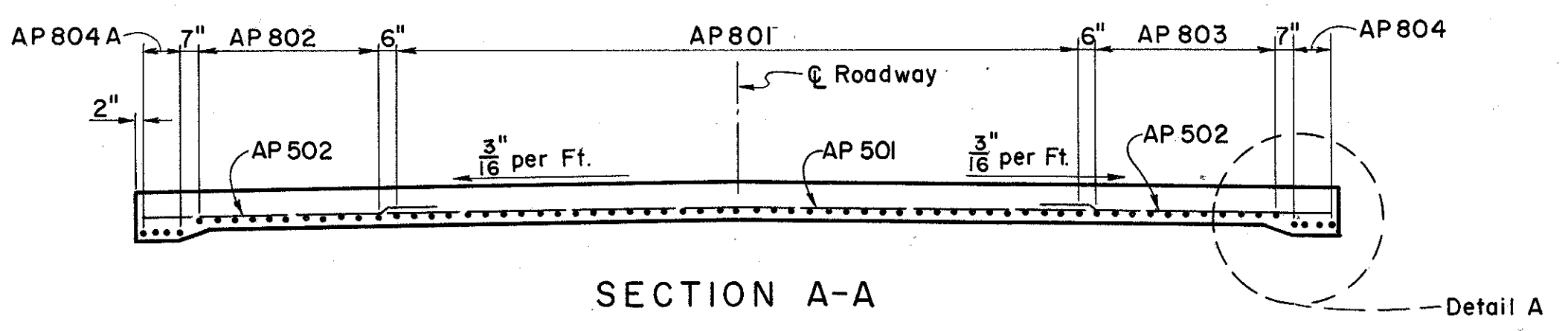


MICROFILMED
MAR 3 0 1984

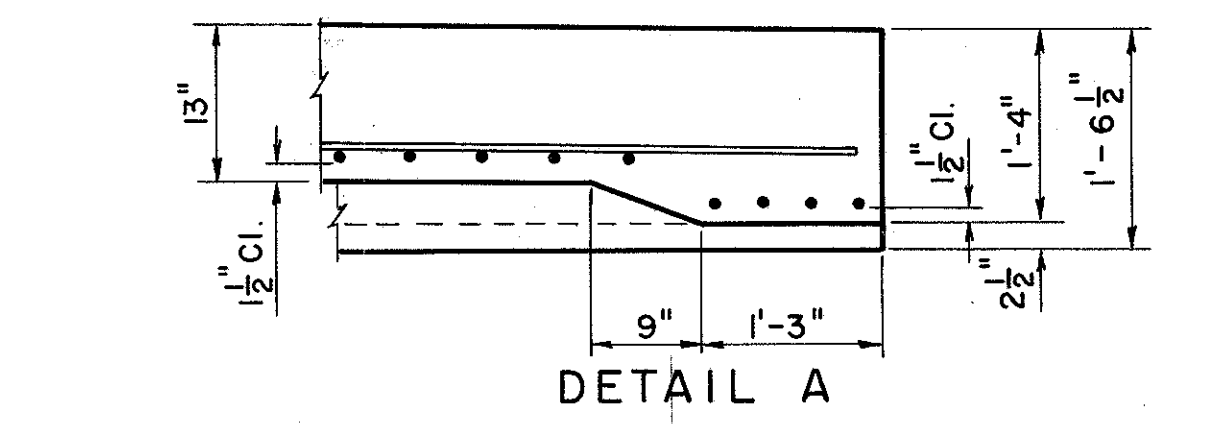
LAKE COUNTY
LAK - 2 - 16.49



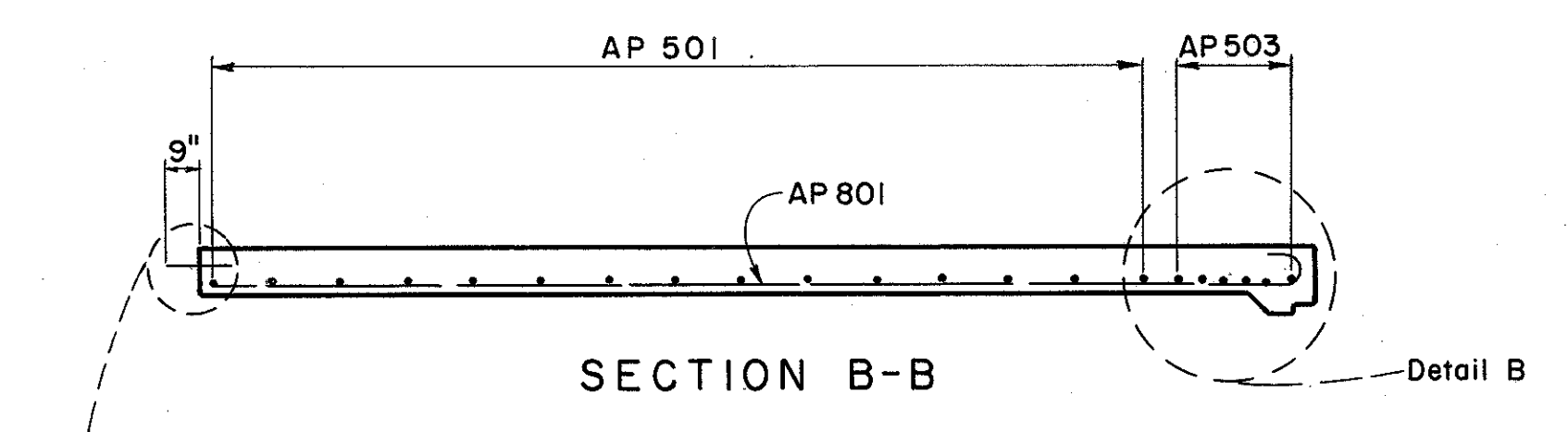
PLAN OF REAR APPROACH SLAB
(FORWARD APPROACH SLAB SYMMETRICAL ABOUT \bar{C} ABUTMENT BEARINGS)



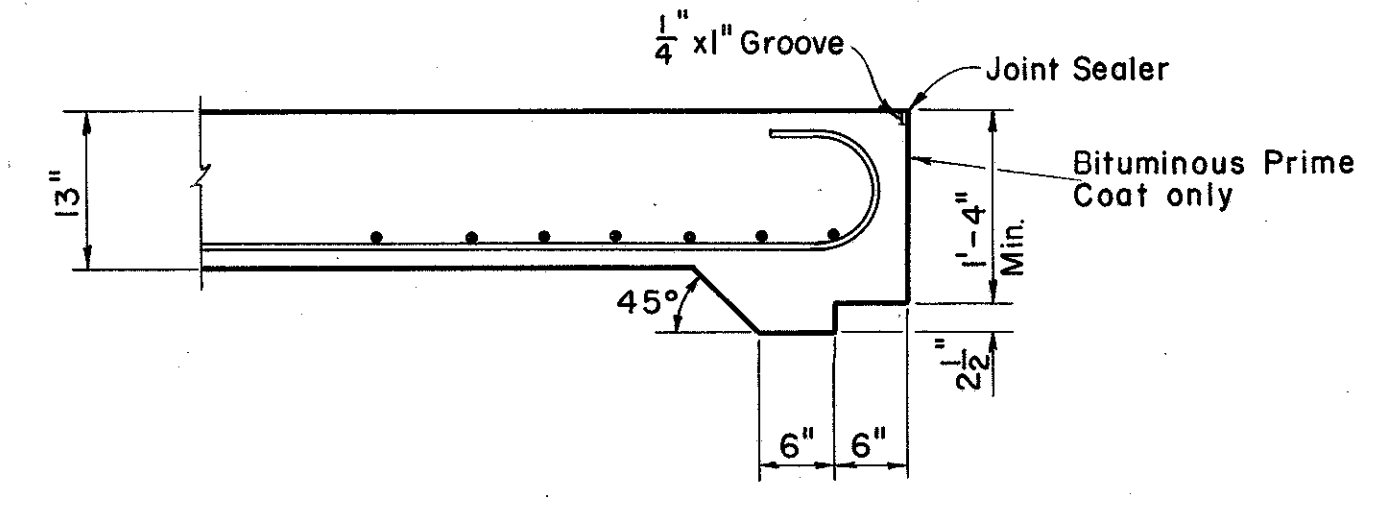
SECTION A-A



DETAIL A



SECTION B-B



DETAIL B

NOTES:
Concrete shall be class C or class D.
Preformed Expansion Joint Filler at the edges of approach slab shall be included with the approach slab for payment.
Construction Joint: Payment for the construction joints, including dowel bars, is included in the price per Sq. Yd. bid for the approach pavement.

REINFORCING BAR LIST										
MARK	REQ'D REAR	REQ'D FWD.	TOTAL	LENGTH	TYPE	A	B	G	VARIABLE BY	NO. OF EACH
Ap801	39	39	78	25'-9"	2	1'-1"	24'-8"	0		2
Ap802	11	11	22	25'-9" to 29'-4 3/4"	2	1'-1"	24'-8" to 28'-3 3/4"	0	4 3/8" dia.	2
Ap803	11	11	22	22'-1 1/4" to 25'-9"	2	1'-1"	21'-0 1/4" to 24'-8"	0	4 3/8" dia.	2
Ap804	4	4	8	7'-3" to 10'-3"	S					2
Ap804A	4	4	8	19'-0" to 21'-6"	S					2
Ap805	27	27	54	1'-6"	S					2
Ap501	19	19	38	24'-9"	S					2
Ap502	41	41	82	10'-10"	S					2
Ap503	6	6	12	36'-9"	S					2

Reinforcement included for payment with item I-7

PREPARED BY
CAPITOL ENGINEERING ASSOCIATES, DILLSBURG, PA.
FOR

STATE OF OHIO
DEPARTMENT OF HIGHWAYS
DIVISION OF DESIGN AND CONSTRUCTION
BUREAU OF BRIDGES

APPROACH SLAB DETAILS
BRIDGE NO. LAK-2-1748
RELOC. S.R. 2 UNDER RECONSTR. S.R. 535
LAKE COUNTY
STA. 822 + 70.56

DESIGNED M.J.F. L.L.D.	DRAWN M.J.F.	TRACED FWB	CHECKED L.L.D. M.J.F.	REVIEWED DATE G.S.W. M.C.P.	REVISED
------------------------------	-----------------	---------------	-----------------------------	-----------------------------------	---------